

Cette notice contient d'importantes informations sur la sécurité, les performances et l'entretien. Lisez-les et comprenez-les ainsi que les informations fournies par le fabricant de votre vélo avant d'utiliser le produit, et conservez-les pour référence ultérieure.

Owner's Manual Charger

BPC3210 | BPC3410

Robert Bosch GmbH
72757 Reutlingen
Germany

www.bosch-ebike.com

0 275 U07 3CX (2023.03) T / 44



Este manual contiene información importante de seguridad, rendimiento y mantenimiento. Léalo y asegúrese de entenderlo junto con la información que le ha facilitado el fabricante de su bicicleta antes de usar el producto; guárdelo a modo de referencia.

en Original operating instructions
fr Notice d'utilisation d'origine
es Instrucciones de servicio originales

This manual contains important safety, performance and service information. Read and understand it along with the information provided to you by your bicycle manufacturer before using the product, and keep it for reference.



Table of Contents

Introduction	2
About Warnings	2
General Warnings	2
Using your Manual	3
On-Product Warning Labels Charger	4
Operating the Charger	5
Safety Instructions	5
Product Description and Specifications	7
Operation	9
Maintenance/cleaning	12
Troubleshooting	13
Battery Recycling Program	14

Introduction

About Warnings

This manual contains many **DANGER**, **WARNING**, and **CAUTION** indicators concerning the consequences of failure to use, assemble, maintain, store, inspect and dispose of a Bosch-equipped eBike in a safe manner.

- The combination of the safety alert symbol and the word **DANGER** indicates a hazardous situation that, if not avoided, will result in death or serious injury.
- The combination of the safety alert symbol and the word **WARNING** indicates a hazardous situation that, if not avoided, could result in death or serious injury.
- The combination of the safety alert symbol and the word **CAUTION** indicates a hazardous situation that, if not avoided, could result in minor or moderate injury.

General Warnings



Read all safety warnings and all instructions. Failure to follow the warnings and instructions may result in death or serious injury.

Save all safety warnings and instructions for future reference.

The term **eBike battery** used in these operating instructions refers to all original Bosch eBike batteries from the system generation **the smart system**.

- ▶ **Read ALL accompanying manuals before riding the bike for the first time.** Your Bosch Drive System comes with additional manuals and documents provided by the manufacturer of the bicycle and other components. Failure to read and understand safety information can result in death or serious injury.

⚠ WARNING

- ▶ **This manual contains important safety, performance and service information.** Read it before you take the first ride on your new bicycle, and keep it for reference. The manual can also be found online at www.bosch-ebike.com.
- ▶ **This manual is intended to be read together with the separate user manual provided with your bicycle.** Be sure to read all provided documents including labels on the product before your first ride.

- ▶ **Take responsibility for your own SAFETY.** If you have any questions or do not understand something, consult with your dealer or the bicycle or component manufacturer.
- ▶ **Some eBike accessories may present a choking hazard to small children.** Keep these accessories away from children.

⚠ CAUTION

- ▶ **The Bosch Drive System adds weight to your bicycle which you may not be used to lift.** Avoid injury, use proper lifting techniques.

Using your Manual

In addition to the functions outlined here, changes to software relating to troubleshooting and functional modifications may be introduced at any time.

Graphics

The bicycle shown in this manual may differ slightly from your bicycle, but will be similar enough to help you understand our instructions.

RIGHT-HAND and LEFT-HAND sides are determined by facing in the direction the bicycle will travel when going forward. When you see a broken line (-----), the item referred to is hidden from view.

On-Product Warning Labels Charger

A

eBike Battery Charger BPC3210
2A Charger
EB12.110.018
 Input: 100-120V~ 50-60 Hz 1.7A
 Output: 36V== 2A
 Made in China
 Robert Bosch GmbH
 72757 Reutlingen, Germany




This device complies with part 15 of the FCC Rules. Operation is subject to the following two conditions: (1) This device may not cause harmful interference, and (2) this device must accept any interference received, including interference that may cause undesired operation.

⚠ WARNING For safe operation see manual. Risk of electric shock. Indoor use only. Charge only batteries of the Bosch eBike Systems. Other batteries may burst causing personal damage. Do not replace the plug assembly as risk of fire or electric shock may result.

⚠ ADVERTENCIA Para un funcionamiento con seguridad, ver el manual Peligro de sacudida eléctrica. Utilice solamente en lugares secos. Cargar únicamente baterías de sistemas eBike de Bosch. Otras baterías podrían reventar, causando lesiones personales y daños. No reemplace el ensamblaje del enchufe, ya que el resultado puede ser riesgo de incendio o sacudidas eléctricas.

⚠ AVERTISSEMENT Pour un fonctionnement sûr, reportez-vous au manuel. Risque de choc électrique. Utiliser en lieu sec uniquement. A utiliser uniquement avec les batteries des systèmes d'assistance électrique eBike de Bosch. D'autres batteries risqueraient d'éclater et de causer des blessures corporelles et des dommages. Ne pas remplacer la connectique car un risque d'incendie ou de choc électrique pourrait en résulter.

USE ONLY with BOSCH Li-Ion batteries

CAN ICES-002(B) / NMB-002(B)

B



eBike Battery Charger BPC3410
4A Charger
EB12.110.000
 Input: 100-120 V~ 50-60 Hz 3.2 A
 Output: 36 V== 4 A BFP
 CAN ICES-002(B) / NMB-002(B)
 Made in Vietnam
 Robert Bosch GmbH
 72757 Reutlingen, Germany

This device complies with part 15 of the FCC Rules. Operation is subject to the following two conditions:
 (1) This device may not cause harmful interference, and
 (2) this device must accept any interference received, including interference that may cause undesired operation.

⚠ WARNING For safe operation see manual. Risk of electric shock. Indoor use only. Charge only Li-Ion batteries of the Bosch eBike Systems. Other batteries may burst causing personal damage. Do not replace the plug assembly as risk of fire or electric shock may result.

⚠ ADVERTENCIA Para un funcionamiento con seguridad, ver el manual Peligro de sacudida eléctrica. Utilice solamente en lugares secos. Cargar únicamente Li-ion baterías de sistemas eBike de Bosch. Otras baterías podrían reventar, causando lesiones personales y daños. No reemplace el ensamblaje del enchufe, ya que el resultado puede ser riesgo de incendio o sacudidas eléctricas.

⚠ AVERTISSEMENT Pour un fonctionnement sûr, reportez-vous au manuel. Risque de choc électrique. Utiliser en lieu sec uniquement. A utiliser uniquement avec les batteries Li-Ion des systèmes d'assistance électrique eBike de Bosch. D'autres batteries risqueraient d'éclater et de causer des blessures corporelles et des dommages. Ne pas remplacer la connectique car un risque d'incendie ou de choc électrique pourrait en résulter.

E498234

- A** 2A charger
- B** 4A charger

A short version of important safety warnings in English, French and Spanish with the following content can be found on the bottom side of the charger (marked with number **(4)** in the representation on the graphics page):

- For safe operation, see manual.
- Risk of electric shock
- Indoor use only
- Charge only batteries for the Bosch eBike Systems. Other batteries may burst causing personal damage.
- Do not replace the plug assembly as risk of fire or electric shock may result.

Operating the Charger

Safety Instructions

IMPORTANT SAFETY INSTRUCTIONS SAVE THESE INSTRUCTIONS –

This manual contains important safety and operating instructions for this battery charger.

- ▶ Before using battery charger, read all instructions and cautionary markings on battery charger, battery, and product using battery.

⚠ CAUTION

- ▶ **To reduce risk of injury, charge only batteries of the Bosch eBike Systems.** Other types of batteries may burst causing personal injury and damage.



- ▶ **Read and understand all safety warnings and instructions.** Failure to follow the below warnings could result in death or serious injury.

Save all safety warnings and instructions for future reference.

The term **charger** is used in these instructions to mean all original Bosch chargers from the system generation **the smart system**.

The term **eBike battery** used in these operating instructions refers to all original Bosch eBike batteries from the system generation **the smart system**.

- ▶ **Read and observe the safety warnings and instructions in all operating instructions of the eBike system and your eBike.**

⚠ DANGER

- ▶ **Only charge Bosch eBike lithium-ion battery packs with approved Bosch eBike chargers. The battery pack voltage must match the battery pack charging voltage of the charger.** Otherwise, there is risk of fire and explosion.
- ▶ **Carefully cover the charging socket with the flap after charging the eBike.** This ensures that no dirt or water gets in.



Do not expose the charger to rain or wet conditions. If water enters a charger, there is a risk of electric shock.

⚠ WARNING

- ▶ **Use only the original Bosch battery charger supplied with your eBike or one approved for your eBike by the manufacturer and purchased from a trusted source.** Bypassing the battery charger or the use of a non-approved or counterfeit battery charger can lead to death or serious injury.
- ▶ **Do not charge or use your eBike in any area with a potentially explosive atmosphere, such as at a fueling area, or in areas where the air contains chemicals or particles (such as grain, dust, or metal powders).** Obey all signs and instructions.
- ▶ **Keep the battery charger clean.** Contamination can lead to the risk of an electric shock. Clean only with the use of a damp cloth (mild soap/water).
- ▶ **Always check the charger, cable and plug before use. Stop using the charger if you discover any damage. Do not open the charger.** Damaged chargers, cables and plugs increase the risk of electric shock.
- ▶ **Do not operate the charger on an easily ignited surface (e.g. paper, textiles, etc.) or in a flammable environment.** There is a risk of fire due to the charger heating up during operation.
- ▶ **Take care if you touch the charger while it is charging. Wear protective gloves.** The charger can get very hot, especially when the ambient temperature is high.
- ▶ **The eBike battery may give off fumes if it becomes damaged or is used incorrectly. Ensure the area is well ventilated and seek medical attention should you experience any adverse effects.** The fumes may irritate the respiratory system.

- ▶ **The eBike battery must not be left unattended while charging.**
- ▶ **eBike batteries must not be subjected to mechanical shock.** There is a risk of the eBike battery being damaged.
- ▶ **Keep the battery charger away from children.** This will ensure that children do not play with the charger.
- ▶ **Persons who are not capable of safely operating the charger because of their physical, sensory or mental limitations, or because of their lack of experience or knowledge, may only use this charger under supervision or after having been instructed by a responsible person.** Otherwise, there is a risk of operating errors and injuries.

NOTICE: This device complies with part 15 of the FCC Rules. Operation is subject to the following two conditions:

1. This device must not cause harmful interference, and
2. this device must accept any interference received, including interference that may cause undesired operation.

NOTICE: Changes or modifications made to this equipment not expressly approved by the Robert Bosch GmbH may void the FCC authorization to operate this equipment.

NOTE: This equipment has been tested and found to comply with the limits for a Class B digital device, pursuant to Part 15 of the FCC Rules. These limits are designed to provide reasonable protection against harmful interference in a residential installation. This equipment generates, uses and can radiate radio frequency energy and, if not installed and used in accordance with the instructions, may cause harmful interference to radio communications. However, there is no guarantee that interference will not occur in a particular installation. If this equipment does cause harmful interference to radio or television reception, which can be determined by turning the equipment off and on, the user is encouraged to try to correct the interference by one or more of the following measures:

- Reorient or relocate the receiving antenna.
- Increase the separation between the equipment and receiver.
- Connect the equipment into an outlet on a circuit different from that to which the receiver is connected.
- Consult the dealer or an experienced radio/TV technician for help.

Responsible party:

Bosch eBike Systems Americas

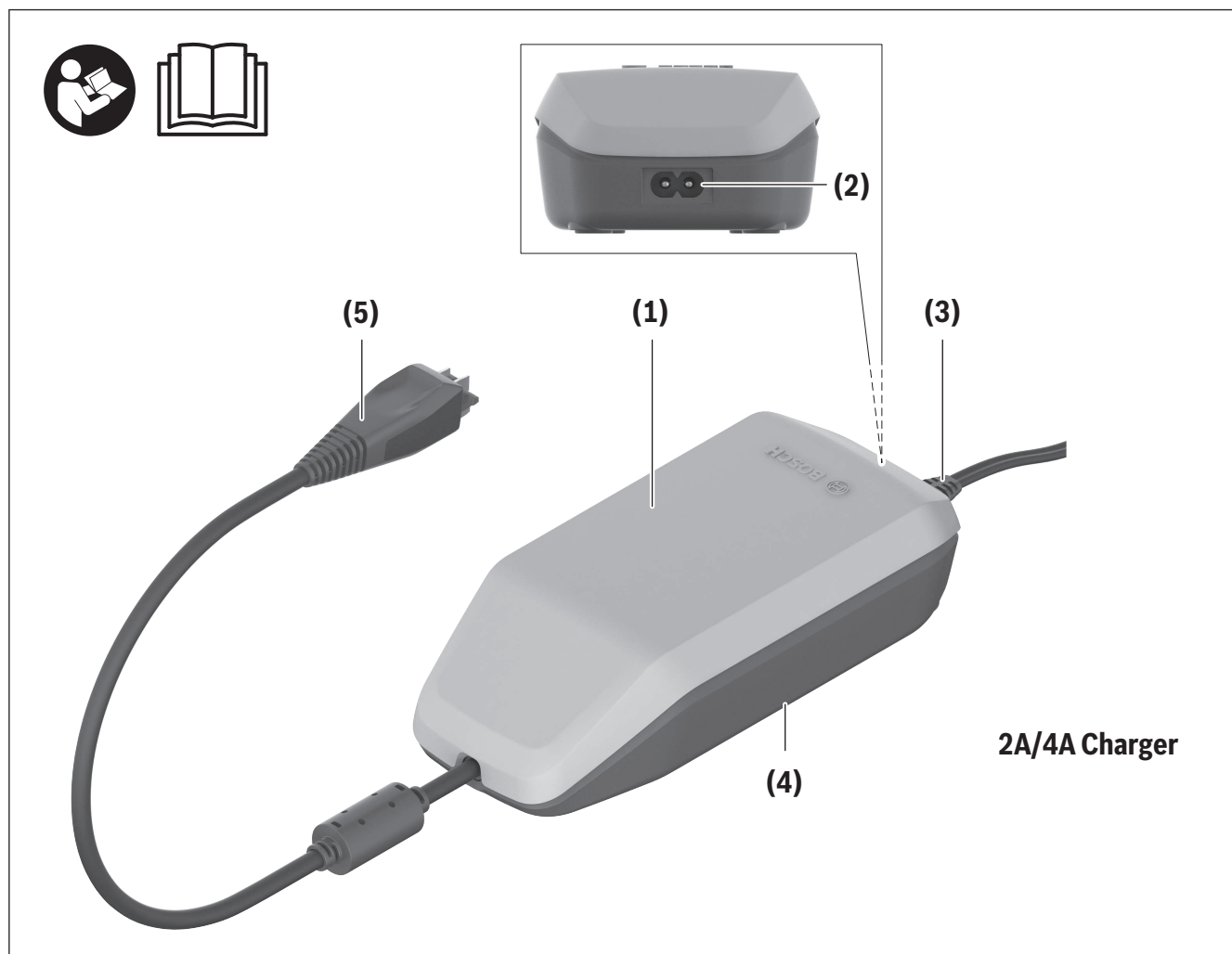
Robert Bosch LLC

27211 Burbank, Foothill Ranch, CA 92610, USA,

www.bosch-ebike.com/us/

Product Description and Specifications

Product Features



All representations of bike components are schematic and can deviate from your eBike.

- (1)** Charger
- (2)** Device socket
- (3)** Device connector
- (4)** Charger safety instructions
- (5)** Charging connector

Intended Use

In addition to the functions outlined here, changes to software relating to troubleshooting and functional modifications may be introduced at any time.

The Bosch eBike chargers are intended exclusively to charge eBike batteries and must not be used for any other purpose.

The Bosch eBike chargers depicted here are compatible with Bosch eBike batteries from the new system generation **the smart system**.

Technical data

Charger		2A Charger	4A Charger
Product code		BPC3210	BPC3410
Input voltage	V~	100–120	100–120
Frequency	Hz	50–60	50–60
Rated voltage of the rechargeable battery	V=	36	36
Charging current (max.)	A	2	4
Charging time for PowerTube 750 approx. ^{A)}	h	11	6
Charging time for PowerPack 400 approx. ^{A)}	h	6	3.5
Operating temperature	°F	32 to 104	32 to 104
Storage temperature	°F	50 to 104	50 to 104
Weight, approx.	lb	1.2	1.5
Protection rating		IP40	IP40

A) You can find the charging times for additional eBike batteries at: www.bosch-ebike.com.

Power cable

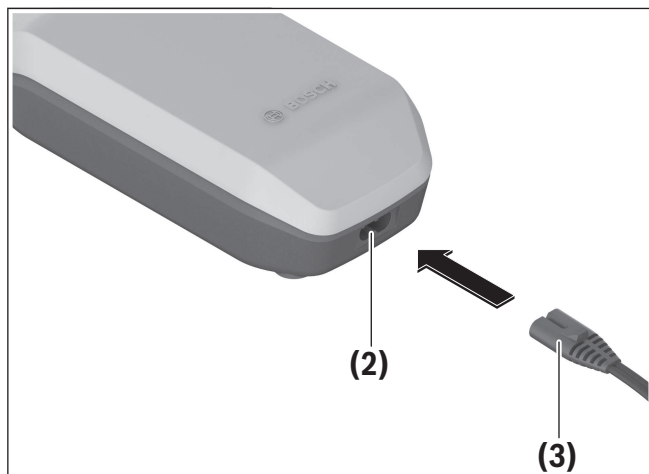
Article number		1 270 020 343
Rated voltage – cables	V~	300
Rated voltage – connectors/plug-in connectors	V~	125
Rated current – connectors/plug-in connectors	A	10
Material – cables		PVC
Safety standard – cables		UL 62
Safety standard – connectors/plug-in connectors		UL 817
Length, approx.	ft	6

With regard to electromagnetic compatibility (EMC), the charger is classified as a table-top device.

Operation

Start-up

Connecting the charger to the mains



(2) Device socket

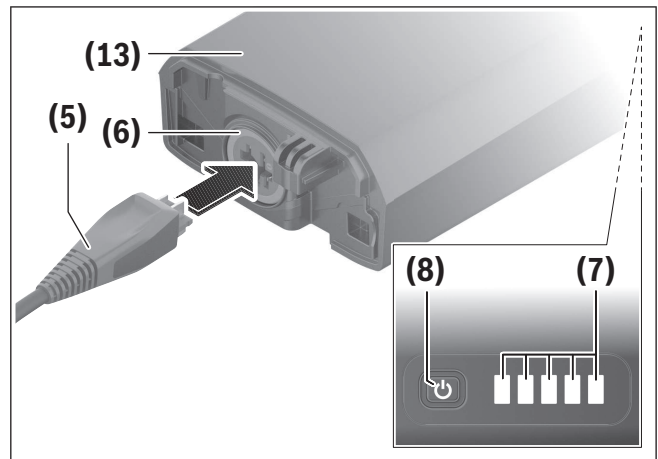
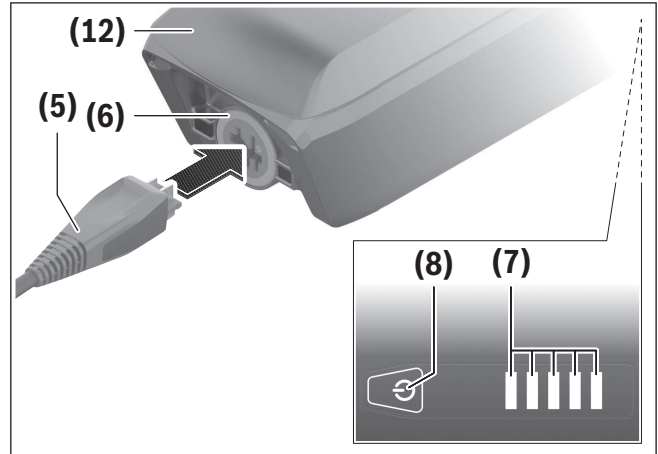
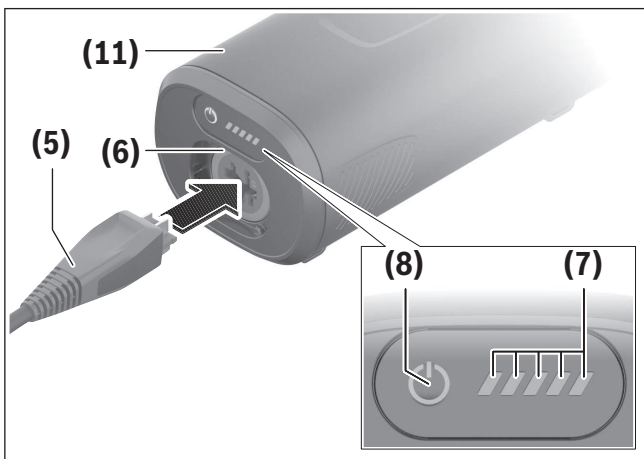
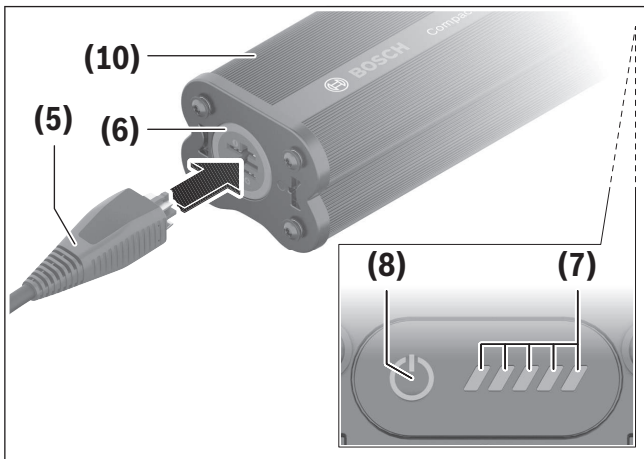
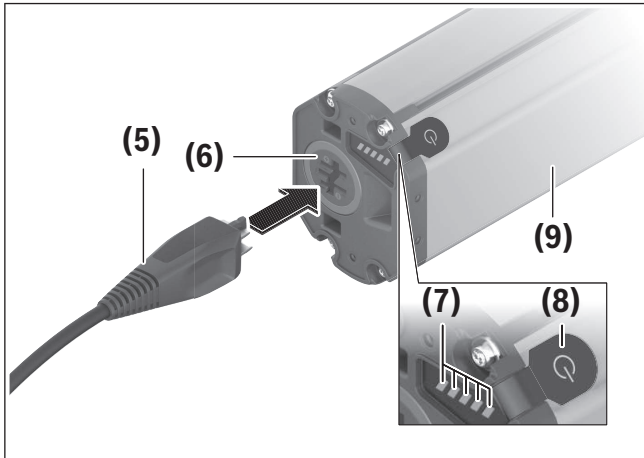
(3) Device connector

► **Note the household voltage!** The voltage of the power supply must correspond to the specifications given on the battery charger nameplate. Plug the device connector **(3)** of the power cable into the device socket **(2)** on the charger.

Connect the power cable (country-specific) to the mains.

Use only the supplied input connection: standard AC power cord **((3)** in the diagram) when connecting to the household electrical supply.

Charging the eBike Battery when Removed



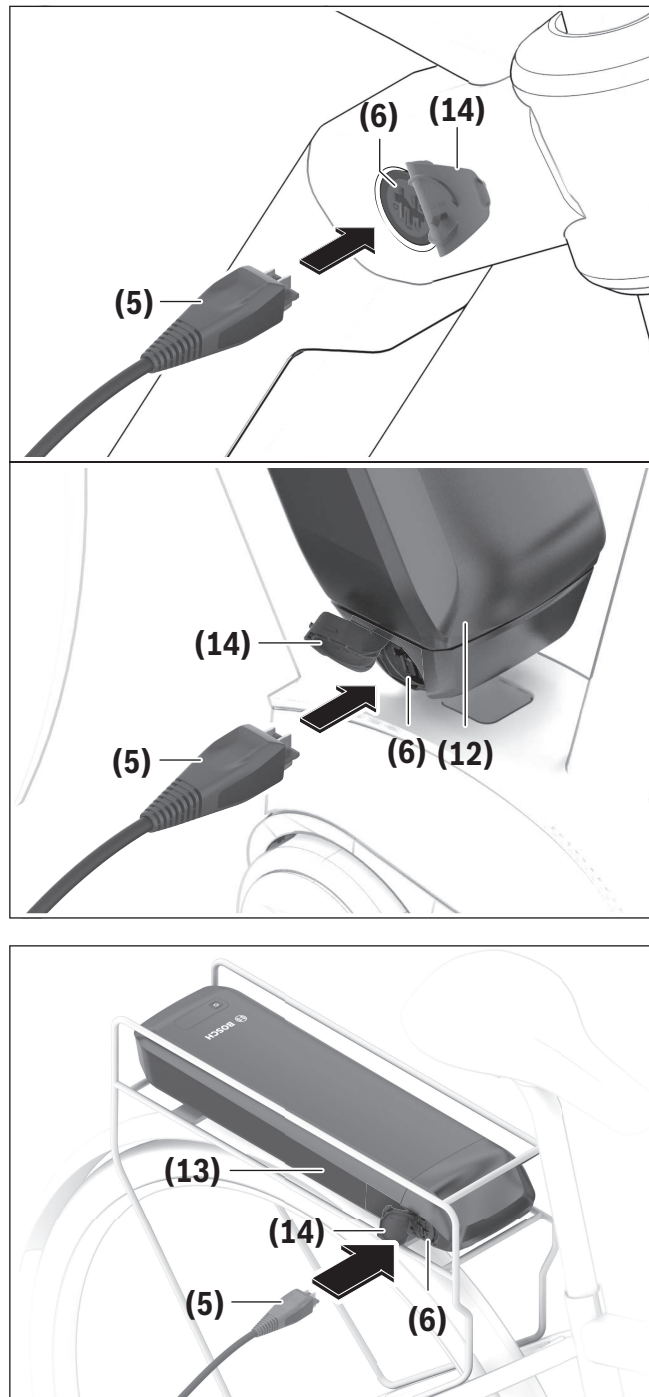
- (5) Charging connector
- (6) Socket for charging connector
- (7) Operation/battery charge indicator
- (8) On/off button for eBike battery
- (9) PowerTube
- (10) CompactTube
- (11) PowerMore
- (12) PowerPack
- (13) Rack-mounted battery

Switch the eBike battery off and remove it from its holder on the eBike. When doing so, read and observe the operating instructions of the eBike battery.

► **Ensure the eBike battery is placed on clean surfaces only.** Avoid getting dirt, e.g. sand or soil, in the charging socket and contacts in particular.

Plug the charging connector **(5)** of the charger into the charging socket **(6)** on the eBike battery.

Charging the eBike Battery when Inserted in the eBike



(5) Charging connector

(6) Socket for charging connector

(14) Charging socket cover

(12) PowerPack

(13) Rack-mounted battery

Switch the eBike battery off. Clean the cover of the charging socket **(14)**. Avoid getting dirt, e.g. sand or soil, in the charging socket and contacts in particular. Lift the cover of the charging socket **(14)** and plug the charging connector **(5)** into the charging socket **(6)**.

► **There is a risk of fire due to the charger heating up during charging. Ensure the eBike battery on the eBike is completely dry and placed on a fire-proof surface before charging.** If this is not possible, remove the eBike battery from the holder and charge it in a more suitable location. When doing so, read and observe the operating instructions of the eBike battery.

Charging process

The charging process begins as soon as the charger is connected to the eBike battery or charging socket on the eBike and to the mains.

Note: The charging process is only possible when the temperature of the eBike battery is within the permitted charging temperature range.

Note: The drive unit is deactivated during the charging process.

The eBike battery can be charged with and without the on-board computer. When charging without the on-board computer, the charging procedure can be observed on the battery charge indicator **(7)** and, where applicable, on the operating unit.

When the on-board computer is connected, a charging notification appears on the display.

The state of charge is displayed by the battery charge indicator **(7)** on the eBike battery, the operating unit and, where applicable, the on-board computer.

The LEDs on the eBike battery charge indicator **(7)** flash during the charging process. Each solid illuminated LED represents approximately 20 % of the

charging capacity. The flashing LED indicates the next 20 % currently charging.

Once the eBike battery is fully charged, the LEDs extinguish immediately and the on-board computer is switched off. The charging process is terminated. The state of charge can be displayed for 5 seconds by pressing the on/off button (8) on the eBike battery. Disconnect the charger from the mains and the eBike battery from the charger.

When the battery is disconnected from the charger, the eBike battery is automatically switched off.

Note: If you have charged the battery on the eBike, carefully close the charging socket (6) with the cover (14) after charging, so that no dirt or water can get in.

If the charger is not disconnected from the eBike battery after charging, after a few hours the charger will switch itself back on, check the state of charge of the eBike battery and begin the charging procedure again if necessary.

Maintenance/cleaning

WARNING

- ▶ **Do not open any of the components. Service should only be carried out at an authorized Bosch eBike dealer.** Failure to follow above warning can cause death or serious injury. Refer to your bicycle manual or component manual for all non-Bosch drive system components.
- ▶ **Do not submerge your eBike components in water, or wash with pressurized hose.** Your Bosch drive unit is designed to be water tight to rain water or non-pressure hose washing.
- ▶ **Do not paint any components of the Bosch drive system as they may cause premature failure of the component.**




After-sales service and advice on using products

If you have any questions about the eBike and its components, contact an authorized bicycle retailer.

For contact details of authorized bike dealerships, please visit www.bosch-ebike.com.

Please contact an authorized bicycle dealer if the eBike battery is no longer working.

Troubleshooting

Cause	Corrective measures
 <p>eBike battery defective</p>	<p>Two LEDs flash on the eBike battery. Contact an authorized bike dealership.</p>
 <p>eBike battery too warm or too cold</p>	<p>Three LEDs flash on the eBike battery. Disconnect the eBike battery from the charger until the charging temperature range has been reached. Do not reconnect the eBike battery to the charger until it has reached the correct charging temperature.</p>
 <p>The charger is not charging.</p>	<p>No LEDs flashing (one or more LEDs will remain permanently lit depending on the state of charge of the eBike battery). Contact an authorized bike dealership.</p>
<p>Charging not possible (no indicator on eBike battery)</p>	
<p>Connector not attached properly</p>	<p>Check all connections.</p>
<p>eBike battery contacts dirty</p>	<p>Carefully clean the eBike battery contacts.</p>
<p>Socket outlet, cable or charger defective</p>	<p>Check the mains voltage, have the charger checked over by a bike dealership.</p>
<p>eBike battery defective</p>	<p>Contact an authorized bike dealership.</p>

Battery Recycling Program



The drive unit, on-board computer incl. operating unit, eBike battery, speed sensor, accessories and packaging should be disposed of in an environmentally correct manner.

Do not dispose of eBikes and their components with household waste.



You may recycle your Bosch battery pack by calling 1.800.822.8837.

Table des matières

Introduction	2
À propos des avertissements.....	2
Avertissements généraux.....	2
Utilisez votre notice d'utilisation	3
Étiquettes d'avertissement sur le chargeur	4
Utilisation du chargeur	5
Consignes de sécurité	5
Description et caractéristiques techniques du produit.....	7
Fonctionnement	9
Maintenance/nettoyage	12
Résolution des problèmes	13
Programme de recyclage des accus.....	14

Introduction

À propos des avertissements

Cette notice contient de nombreuses mentions de danger de type **DANGER, AVERTISSEMENT** et **ATTENTION** destinées à attirer l'attention sur les conséquences d'erreurs, dans le but d'utiliser, d'assembler, d'entretenir, de conserver et d'éliminer dans les règles et en toute sécurité les vélos électriques dotés d'un système eBike Bosch.

– Le symbole de sécurité et le mot **DANGER** signalent une situation à risque élevé, qui entraîne inévitablement des blessures graves, voire la mort, si elle n'est pas évitée.

- Le symbole de sécurité et le mot **AVERTISSEMENT** signalent une situation à risque élevé, pouvant entraîner des blessures graves, voire la mort, si elle n'est pas évitée.
- Le symbole de sécurité et le mot **ATTENTION** signalent une situation à risque modéré pouvant entraîner des blessures légères ou modérées si elle n'est pas évitée.

Avertissements généraux



Lisez tous les avertissements de sécurité et toutes les instructions. Le fait de ne pas respecter les avertissements et les instructions peut entraîner des blessures graves ou mortelles.

Conservez tous les avertissements et toutes les instructions pour pouvoir s'y reporter ultérieurement.

Le terme **batterie VAE** utilisé dans cette notice désigne toutes les batteries VAE Bosch d'origine de la génération **the smart system (le système intelligent)**.

► **Lisez TOUS les manuels et TOUTES les notices jointes avant d'utiliser votre vélo pour la première fois.** Votre système d'entraînement Bosch est livré avec d'autres manuels et documents fournis par le fabricant du vélo et des autres éléments. Ne pas lire ou ne pas comprendre les informations de sécurité peut entraîner des blessures graves ou mortelles.

AVERTISSEMENT

► **Cette notice contient d'importantes informations sur la sécurité, les performances et l'entretien.** Veuillez la lire avant d'utiliser votre vélo pour

la première fois, et la conserver pour référence ultérieure. Vous pouvez également retrouver cette notice en ligne à l'adresse www.bosch-ebike.com.

- **Cette notice est destinée à être lue conjointement avec le manuel utilisateur séparé fourni avec votre vélo.** Assurez-vous de lire tous les documents fournis y compris les étiquettes apposées sur le produit avant la première utilisation.
- **Assumez la responsabilité de votre propre SÉCURITÉ.** En cas de question ou d'incompréhension, contactez votre revendeur ou le fabricant du vélo ou de l'élément.
- **Certains accessoires de l'eBike peuvent présenter un risque d'étouffement pour les petits enfants.** Conservez ces accessoires hors de portée des enfants.

ATTENTION

- **Le système d'entraînement Bosch alourdit votre vélo. Vous n'avez peut-être pas l'habitude de le soulever.** Évitez de vous blesser en utilisant des techniques de levage appropriées.

Utilisez votre notice d'utilisation

Nous nous réservons le droit d'apporter à tout moment des modifications au logiciel pour corriger des erreurs ou pour modifier les fonctionnalités décrites dans la présente notice.

Graphiques

Le vélo illustré dans cette notice peut être légèrement différent de votre vélo, mais il est suffisamment similaire pour vous permettre de comprendre nos instructions.

Les côtés DROIT et GAUCHE sont déterminés en se plaçant en situation, dans le sens de la marche du vélo. Lorsqu'une ligne en pointillé (-----) apparaît, l'élément auquel il est fait référence n'est pas visible.

Étiquettes d'avertissement sur le chargeur

A

eBike Battery Charger BPC3210
2A Charger
EB12.110.018
 Input: 100-120V~ 50-60 Hz 1.7A
 Output: 36V== 2A
 Made in China
 Robert Bosch GmbH
 72757 Reutlingen, Germany




This device complies with part 15 of the FCC Rules. Operation is subject to the following two conditions: (1) This device may not cause harmful interference, and (2) this device must accept any interference received, including interference that may cause undesired operation.

⚠ WARNING For safe operation see manual. Risk of electric shock. Indoor use only. Charge only batteries of the Bosch eBike Systems. Other batteries may burst causing personal damage. Do not replace the plug assembly as risk of fire or electric shock may result.

⚠ ADVERTENCIA Para un funcionamiento con seguridad, ver el manual Peligro de sacudida eléctrica. Utilice solamente en lugares secos. Cargar únicamente baterías de sistemas eBike de Bosch. Otras baterías podrían reventar, causando lesiones personales y daños. No reemplace el ensamblaje del enchufe, ya que el resultado puede ser riesgo de incendio o sacudidas eléctricas.

⚠ AVERTISSEMENT Pour un fonctionnement sûr, reportez-vous au manuel. Risque de choc électrique. Utiliser en lieu sec uniquement. A utiliser uniquement avec les batteries des systèmes d'assistance électrique eBike de Bosch. D'autres batteries risqueraient d'éclater et de causer des blessures corporelles et des dommages. Ne pas remplacer la connectique car un risque d'incendie ou de choc électrique pourrait en résulter.

USE ONLY with BOSCH Li-Ion batteries


 CERTIFIED
 SAFETY ISOL. E531185

 Energy Verified

 BFP
 CAN ICES-002(B) / NMB-002(B)

B



eBike Battery Charger BPC3410
4A Charger
EB12.110.000
 Input: 100-120 V~ 50-60 Hz 3.2 A
 Output: 36 V== 4 A BFP
 CAN ICES-002(B) / NMB-002(B)
 Made in Vietnam
 Robert Bosch GmbH
 72757 Reutlingen, Germany

This device complies with part 15 of the FCC Rules. Operation is subject to the following two conditions: (1) This device may not cause harmful interference, and (2) this device must accept any interference received, including interference that may cause undesired operation.

⚠ WARNING For safe operation see manual. Risk of electric shock. Indoor use only. Charge only Li-ion batteries of the Bosch eBike Systems. Other batteries may burst causing personal damage. Do not replace the plug assembly as risk of fire or electric shock may result.

⚠ ADVERTENCIA Para un funcionamiento con seguridad, ver el manual Peligro de sacudida eléctrica. Utilice solamente en lugares secos. Cargar únicamente Li-ion baterías de sistemas eBike de Bosch. Otras baterías podrían reventar, causando lesiones personales y daños. No reemplace el ensamblaje del enchufe, ya que el resultado puede ser riesgo de incendio o sacudidas eléctricas.

⚠ AVERTISSEMENT Pour un fonctionnement sûr, reportez-vous au manuel. Risque de choc électrique. Utiliser en lieu sec uniquement. A utiliser uniquement avec les batteries Li-Ion des systèmes d'assistance électrique eBike de Bosch. D'autres batteries risqueraient d'éclater et de causer des blessures corporelles et des dommages. Ne pas remplacer la connectique car un risque d'incendie ou de choc électrique pourrait en résulter.


 CERTIFIED
 SAFETY ISOL. E498234

 Energy Verified

A Chargeur 2 A

B Chargeur 4 A

Vous trouverez sous le chargeur un résumé des consignes de sécurité importantes en anglais, français et espagnol avec le texte suivant (voir la position **(4)** sur la page avec les graphiques) :

- Pour un fonctionnement sûr, reportez-vous au manuel.
- Risque de choc électrique
- Utiliser en lieu sec uniquement
- À utiliser uniquement avec les batteries des systèmes d'assistance électrique eBike de Bosch. D'autres batteries risqueraient d'éclater et de causer des blessures corporelles et des dommages.
- Ne pas remplacer la connectique car un risque d'incendie ou de choc électrique pourrait en résulter.

Utilisation du chargeur

Consignes de sécurité

CONSIGNES DE SÉCURITÉ IMPORTANTES

CONSERVEZ CES INSTRUCTIONS –

Ce manuel contient des consignes de sécurité et d'utilisation importantes pour ce chargeur de batterie.

- ▶ Avant d'utiliser le chargeur, lisez attentivement toutes les instructions et tous les avertissements relatifs au chargeur, à la batterie et au produit utilisant la batterie.

ATTENTION

- ▶ **Pour réduire les risques d'accident, ne chargez que les batteries du système eBike Bosch.** Les autres types de batteries risquent de provoquer des blessures et des dommages matériels.



- ▶ **Lisez et comprenez tous les avertissements et toutes les instructions.** Le fait de ne pas respecter les avertissements ci-dessous peut entraîner des blessures graves ou mortelles.

Conservez tous les avertissements et toutes les instructions pour pouvoir s'y reporter ultérieurement.

Le terme **chargeur** utilisé dans cette notice désigne tous les chargeurs Bosch d'origine de la génération **the smart system (le système intelligent)**.

Le terme **batterie VAE** utilisé dans cette notice désigne toutes les batteries VAE Bosch d'origine de la génération **the smart system (le système intelligent)**.

- ▶ **Lisez et respectez les consignes de sécurité et les instructions de toutes les notices d'utilisation du système eBike, ainsi que la notice d'utilisation de votre eBike.**

DANGER

- ▶ **Ne rechargez les batteries de VAE Lithium-Ion Bosch qu'avec des chargeurs Bosch homologués.**

La tension de la batterie doit correspondre à la tension de charge du chargeur. Il y a sinon un risque d'incendie et d'explosion.

- ▶ **Obtenez soigneusement la prise de charge avec le cache après avoir rechargé le vélo électrique.** Cela empêche toute pénétration de saletés ou d'eau.



N'exposez pas le chargeur à la pluie ou à de l'humidité. En cas de pénétration d'eau dans un chargeur il y a risque de choc électrique.

AVERTISSEMENT

- ▶ **Utilisez uniquement le chargeur de batterie Bosch d'origine fourni avec votre vélo électrique ou un chargeur homologué par le fabricant et acheté auprès d'une source fiable.** Tout court-circuitage ou toute utilisation d'un chargeur de contre-façon ou non homologué peut entraîner des blessures graves ou mortelles.
- ▶ **Ne rechargez pas et n'utilisez pas votre eBike dans une zone présentant une atmosphère potentiellement explosive, par exemple dans une station-service ou dans des zones dans lesquelles l'air contient des produits chimiques ou des particules (telles que des grains, de la poussière ou des poudres métalliques).** Respectez tous les panneaux et toutes les instructions.
- ▶ **Veillez à ce que le chargeur de batterie reste propre.** Tout encrassement augmente le risque de choc électrique. Effectuez le nettoyage uniquement à l'aide d'un chiffon humide (savon doux/eau).
- ▶ **Vérifiez l'état du chargeur, du câble et du connecteur avant chaque utilisation. N'utilisez plus le chargeur si vous constatez des dommages. N'ouvrez pas le chargeur.** Le risque de choc électrique augmente quand le chargeur, le câble ou le connecteur présente un dommage.

- ▶ **N'utilisez pas le chargeur sur un support facilement inflammable (par ex. papier, textile etc.) ou dans un environnement inflammable.** En s'échauffant, le chargeur peut provoquer un incendie.
- ▶ **Soyez prudent lorsque vous touchez le chargeur pendant le processus de charge. Portez des gants de protection.** Le chargeur peut s'échauffer fortement surtout en cas de température ambiante élevée.
- ▶ **En cas d'endommagement ou d'utilisation non conforme d'une batterie de VAE, des vapeurs peuvent être émises. Ventilez le local et consultez un médecin en cas de malaise.** Les vapeurs peuvent irriter les voies respiratoires.
- ▶ **Ne laissez pas la batterie de VAE sans surveillance pendant sa charge.**
- ▶ **Les batteries de VAE ne doivent subir aucun choc mécanique.** Elles risquent sinon d'être endommagées.
- ▶ **Conservez le chargeur de batterie hors de portée des enfants.** Cela évitera que des enfants jouent avec le chargeur.
- ▶ **Les personnes incapables d'utiliser seules ce chargeur en raison d'un handicap physique, sensoriel ou mental ou d'un manque d'expérience et/ou de connaissances ne sont autorisées à utiliser ce chargeur que sous la surveillance d'une personne responsable de leur sécurité ou après avoir reçu des instructions concernant son utilisation.** Il y a sinon risque de blessures et d'utilisation inappropriée.

REMARQUE : Cet appareil est conforme à la partie 15 du règlement de la FCC. L'utilisation est autorisée sous réserve des deux conditions suivantes :

1. L'appareil ne doit pas produire de brouillage, et

2. l'utilisateur de l'appareil doit accepter tout brouillage radioélectrique subi, même si le brouillage est susceptible d'en compromettre le fonctionnement.

REMARQUE : Tous les changements et toutes les modifications apportés à cet équipement qui ne sont pas approuvés de façon explicite par Robert Bosch GmbH risquent d'annuler l'autorisation FCC d'utilisation de cet équipement.

REMARQUE : Cet équipement a été testé et déclaré conforme aux limites applicables aux appareils numériques de classe B, selon la section 15 de la réglementation FCC. Ces limites sont destinées à assurer une protection raisonnable contre les interférences nuisibles dans une installation résidentielle. Cet équipement génère, utilise et peut émettre de l'énergie radiofréquence qui, en cas d'installation et d'utilisation non conforme aux instructions, peut provoquer des interférences susceptibles de perturber les communications radio. Toutefois, rien ne garantit l'absence d'interférences dans une installation particulière. Si cet appareil produit des interférences perturbant la réception des programmes radio ou télévision (peut être mis en évidence en éteignant et rallumant l'appareil), il est conseillé à l'utilisateur d'essayer de réduire ces interférences en prenant l'une ou plusieurs des mesures suivantes :

- Modifier l'orientation ou l'emplacement de l'antenne réceptrice.
- Éloigner l'appareil du récepteur.
- Connecter l'appareil à une prise différente de celle dans laquelle est branché le récepteur.
- Demander conseil au fournisseur ou à un technicien spécialisé en radio/télévision.

Organ responsable:

Bosch eBike Systems Americas

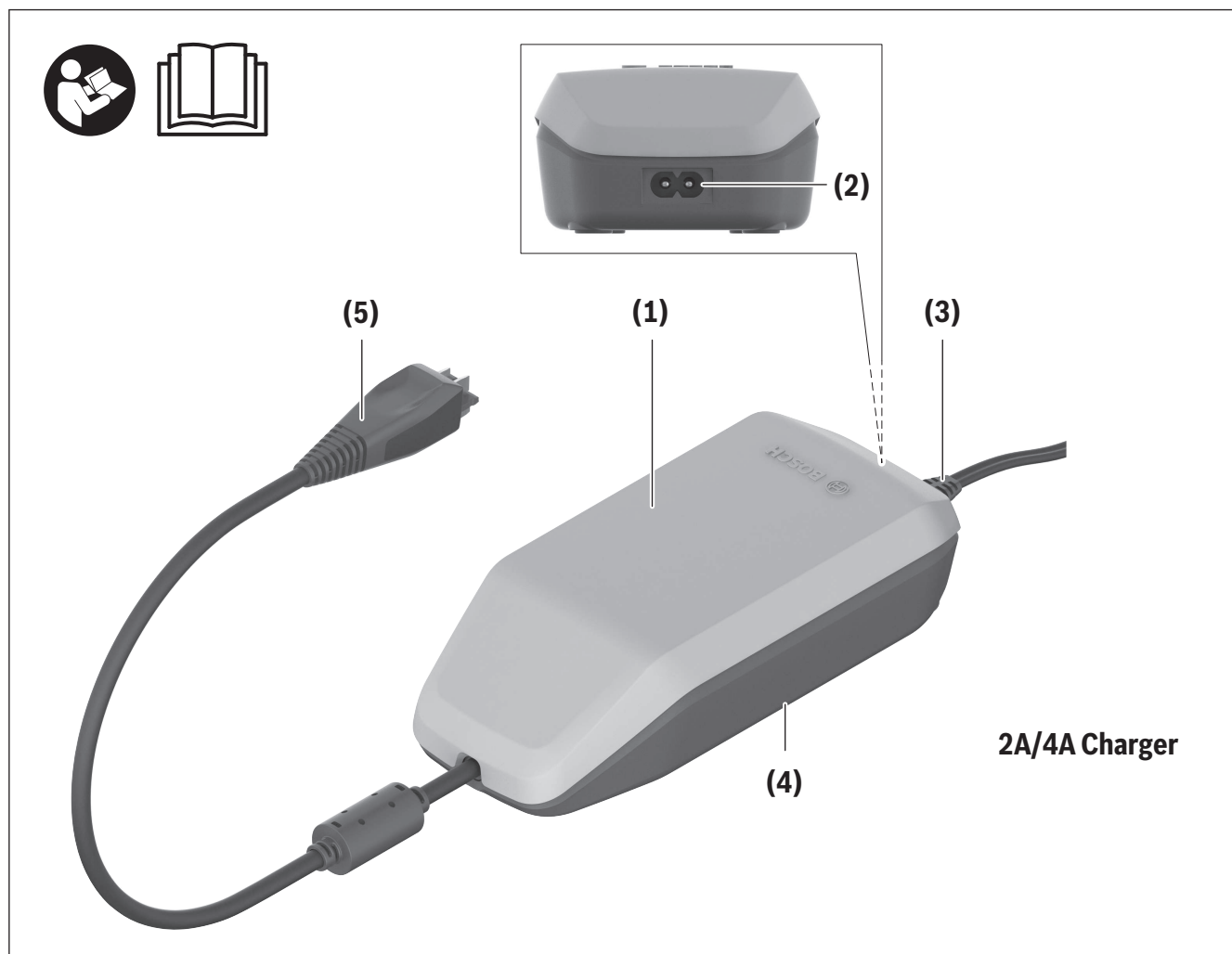
Robert Bosch LLC

27211 Burbank, Foothill Ranch, CA 92610, USA,

www.bosch-ebike.com/us/

Description et caractéristiques techniques du produit

Caractéristiques du produit



Toutes les représentations des éléments du vélo, à l'exception des éléments de l'eBike, sont schématiques et peuvent être différentes de votre eBike.

- (1)** Chargeur
- (2)** Prise du chargeur
- (3)** Connecteur du chargeur
- (4)** Consignes de sécurité du chargeur
- (5)** Connecteur de charge

Utilisation conforme

Nous nous réservons le droit d'apporter à tout moment des modifications au logiciel pour corriger des erreurs ou pour modifier les fonctionnalités décrites dans la présente notice.

Les chargeurs VAE Bosch sont uniquement conçus pour charger des batteries de VAE Bosch ; toute autre utilisation est interdite.

Les chargeurs Bosch pour VAE représentés sont compatibles avec les batteries de VAE Bosch de la nouvelle génération **the smart system (le système intelligent)**.

Caractéristiques techniques

Chargeur		2A Charger	4A Charger
Code produit		BPC3210	BPC3410
Tension d'entrée	V~	100-120	100-120
Fréquence	Hz	50-60	50-60
Tension nominale d'accu	V=	36	36
Courant de charge (maxi)	A	2	4
Durée de charge approx. PowerTube 750 ^{A)}	h	11	6
Durée de charge approx. PowerPack 400 ^{A)}	h	6	3,5
Températures de fonctionnement	°F	32 ... 104	32 ... 104
Températures de stockage	°F	50 ... 104	50 ... 104
Poids (approx.)	lb	1,2	1,5
Indice de protection		IP40	IP40

A) Vous trouverez les durées de charge avec d'autres batteries de VAE sur le site : www.bosch-ebike.com.

Câble de secteur

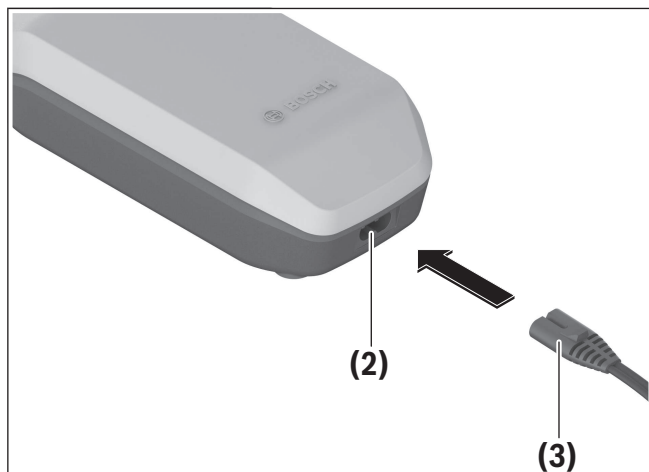
Référence		1 270 020 343
Tension nominale – Câble	V~	300
Tension nominale – Connecteur	V~	125
Courant nominal – Connecteur	A	10
Matériau – Câble		PVC
Norme de sécurité – Câble		UL 62
Norme de sécurité – Connecteur		UL 817
Longueur approx.	ft	6

En matière de compatibilité électromagnétique (CEM), le chargeur est considéré comme un appareil de table.

Fonctionnement

Mise en marche

Raccordement du chargeur au réseau électrique



(2) Prise du chargeur

(3) Connecteur du chargeur

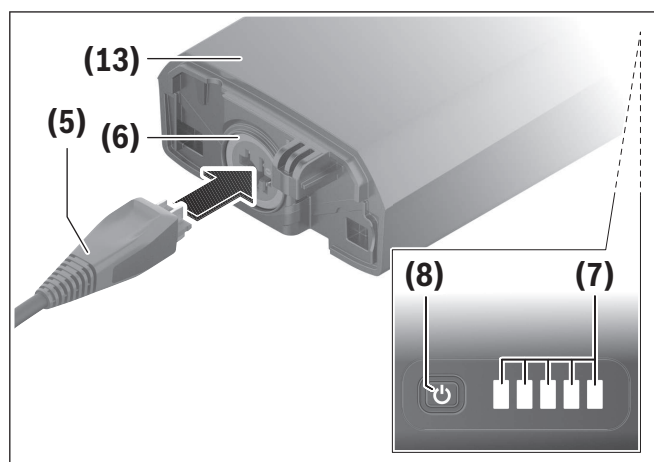
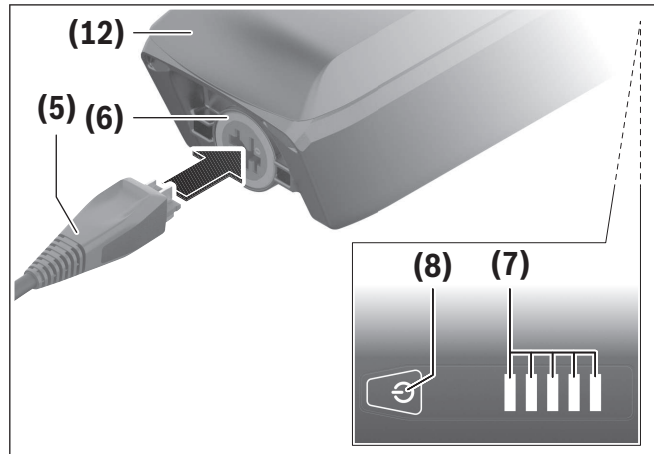
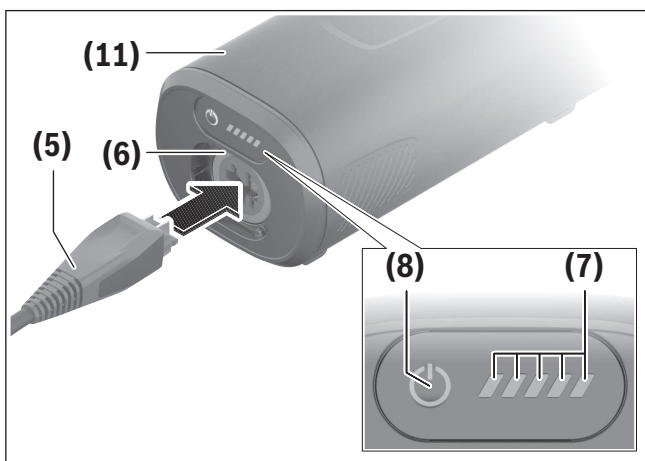
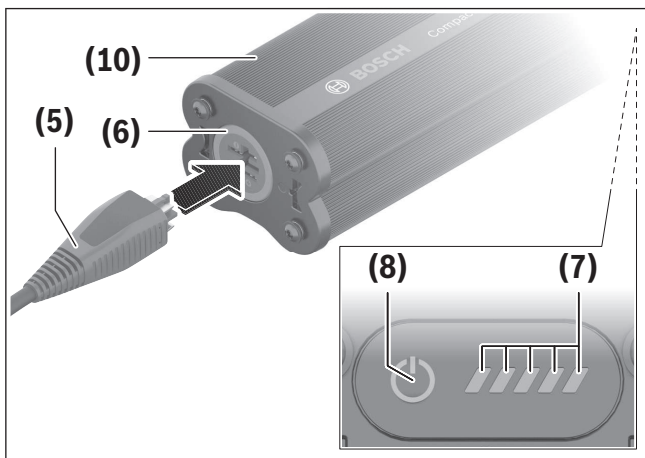
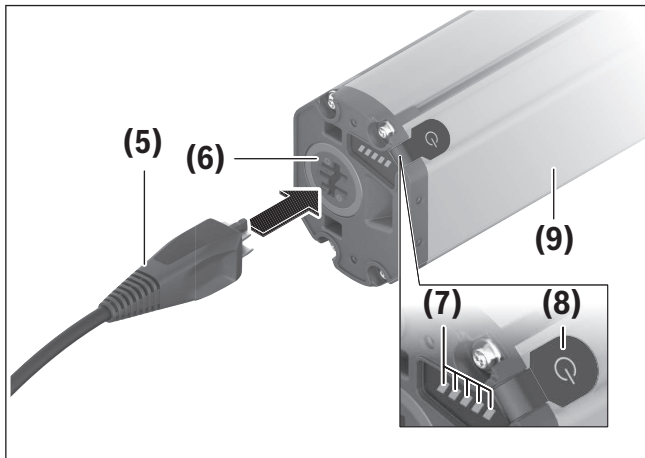
- **Respectez la tension du secteur !** La tension du réseau d'alimentation doit correspondre aux données indiquées sur la plaque signalétique du chargeur de batterie.

Reliez le connecteur (3) du câble secteur à la prise (2) du chargeur.

Raccordez le câble secteur (peut différer selon les pays) à une prise secteur.

Utilisez uniquement le câble d'alimentation secteur standard fourni ((3) sur le diagramme) pour le branchement à une prise électrique domestique.

Recharge de la batterie de VAE en dehors du vélo



- (5) Câble de charge
- (6) Prise de charge
- (7) Indicateur de fonctionnement et d'état de charge
- (8) Touche Marche/Arrêt de la batterie de VAE
- (9) PowerTube
- (10) CompactTube
- (11) PowerMore
- (12) PowerPack
- (13) Batterie de porte-bagages

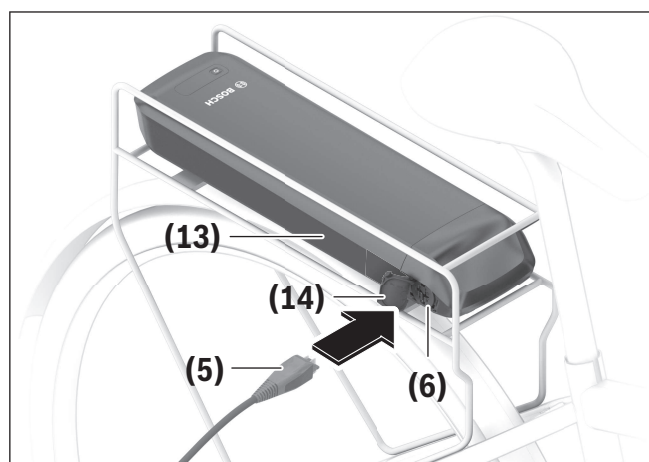
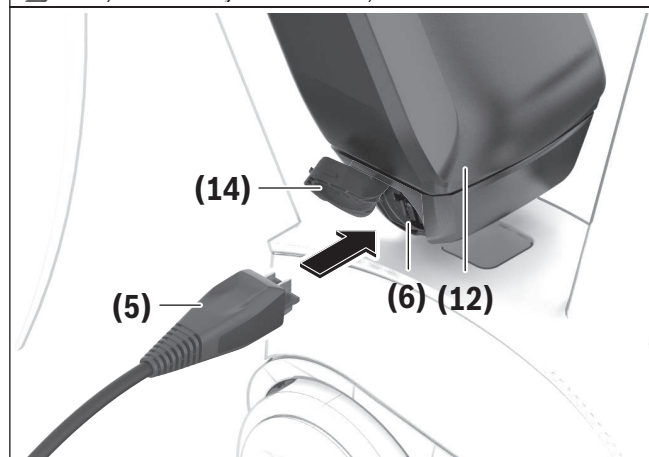
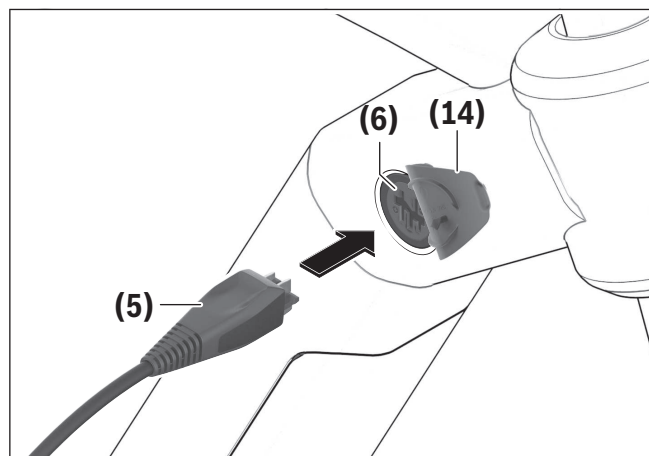
Éteignez la batterie de VAE et retirez-la de sa fixation sur le vélo électrique. Lisez et observez la notice d'utilisation de la batterie de VAE.

► **Ne posez la batterie de VAE que sur des surfaces propres.** Évitez tout encrassement de la prise de

charge et des contacts électriques, par ex. par du sable ou de la terre.

Insérez le câble de charge (5) du chargeur dans la prise de charge (6) de la batterie de VAE.

Recharge de la batterie de VAE sur le vélo



(5) Câble de charge

(6) Prise de charge

(14) Cache de la prise de charge

(12) PowerPack

(13) Batterie de porte-bagages

Éteignez la batterie de VAE. Nettoyez le cache de la prise de charge (14). Évitez tout encrassement de la prise de charge et des contacts électriques, par ex. par du sable ou de la terre. Ouvrez le cache de la prise de charge (14) et raccordez le câble de charge (5) à la prise de charge (6).

► **L'échauffement du chargeur pendant la charge crée un risque d'incendie. Ne chargez les batteries de VAE que sur un vélo sec et dans un endroit où tout risque d'incendie est exclu.** En cas de doute, retirez la batterie de VAE de son support sur le vélo et chargez-la à un endroit approprié. Lisez et observez la notice d'utilisation de la batterie de VAE.

Charge normale

La charge débute dès que le chargeur est connecté à la batterie de VAE ou à la prise de charge du vélo électrique et au réseau d'alimentation électrique.

Remarque : Pour qu'une charge soit possible, il faut que la température de la batterie du VAE se trouve dans la plage de températures de charge admissible.

Remarque : Pendant la durée de la charge, l'unité d'entraînement est désactivée.

La recharge de la batterie de VAE peut s'effectuer avec ou sans ordinateur de bord. Quand l'ordinateur de bord est déconnecté, la progression de la charge peut être observée sur l'indicateur d'état de charge de la batterie (7) et, si existante, sur la commande déportée.

Quand un ordinateur de bord est connecté, un message s'affiche sur l'écran.

Le niveau de charge est indiqué par l'indicateur d'état de charge (7) de la batterie de VAE, sur la commande déportée et sur l'ordinateur de bord (si connecté).

Pendant la charge, les LED de l'indicateur d'état de charge **(7)** de la batterie de VAE s'allument. Chaque LED allumée correspond à environ 20 % de la charge totale. La LED qui clignote indique la charge des 20 % suivants.

Une fois que la batterie du VAE est complètement chargée, les LED ainsi que l'ordinateur de bord s'éteignent. La charge est terminée. En cas d'actionnement de la touche Marche/Arrêt **(8)** de la batterie de VAE, le niveau de charge s'affiche pendant **5** secondes.

Déconnectez le chargeur de la prise secteur et la batterie de VAE du chargeur.

La batterie de VAE s'éteint automatiquement au moment où elle est déconnectée du chargeur.

Remarque : Si la recharge a été effectuée sur le vélo électrique, refermez ensuite avec précaution le cache **(14)** de la prise de charge **(6)** afin d'éviter toute pénétration de saletés ou d'eau.

Si vous ne déconnectez pas la batterie de VAE du chargeur au terme de la charge, le chargeur se rallume automatiquement au bout de quelques heures afin de vérifier le niveau de charge de la batterie de VAE. Il se remet si nécessaire à charger.

Maintenance/nettoyage

AVERTISSEMENT

- ▶ **N'ouvrez aucun élément. L'entretien doit uniquement être effectué par un revendeur eBike Bosch autorisé.** Le fait de ne pas respecter l'avertissement ci-dessus peut entraîner des blessures graves ou mortelles. Reportez-vous au manuel de votre vélo ou au manuel de l'élément pour tous les éléments ne faisant pas partie du système d'entraînement Bosch.
- ▶ **Ne plongez pas vos composants eBike dans l'eau et ne les lavez pas avec un pulvérisateur haute pression.** Votre unité d'entraînement Bosch est conçue pour être étanche à l'eau de pluie ou à un tuyau d'arrosage sans pression.
- ▶ **Ne peignez aucun élément du système d'entraînement Bosch car cela peut entraîner une défaillance prématurée de l'élément.**




Service après-vente et conseil utilisateurs

Pour toutes les questions concernant votre vélo électrique et ses éléments, adressez-vous à un vélociste agréé.

Vous trouverez les données de contact de vélocistes agréés sur le site internet www.bosch-ebike.com.

Si la batterie de VAE ne fonctionne plus, adressez-vous à un revendeur de VAE agréé.

Résolution des problèmes

Cause	Remède
 <p>Batterie défectueuse</p>	<p>Deux LED de la batterie de VAE clignotent. Adressez-vous à un revendeur de VAE agréé.</p>
 <p>La batterie est trop chaude ou trop froide</p>	<p>Trois LED de la batterie de VAE clignotent. Déconnectez la batterie de VAE du chargeur jusqu'à ce qu'elle revienne dans la plage de températures de charge admissible. Ne rebranchez la batterie de VAE au chargeur qu'une fois qu'elle se trouve à nouveau dans la plage de températures admissible.</p>
 <p>Le chargeur ne charge pas.</p>	<p>Aucune LED ne clignote (selon le niveau de charge de la batterie, une ou plusieurs LED sont allumées en permanence). Adressez-vous à un revendeur de VAE agréé.</p>
<p>Recharge impossible (pas d'affichage sur la batterie de VAE)</p>	
<p>Le câble n'est pas correctement branché</p>	<p>Contrôlez tous les connecteurs.</p>
<p>Contacts de la batterie de VAE encrassés</p>	<p>Nettoyez avec précaution les contacts électriques de la batterie de VAE.</p>
<p>Prise de courant, câble ou chargeur défectueux</p>	<p>Vérifiez la tension du secteur, faites contrôler le chargeur par un revendeur de VAE.</p>
<p>Batterie de VAE défectueuse</p>	<p>Adressez-vous à un revendeur de VAE agréé.</p>

Programme de recyclage des accus



La Drive Unit, l'ordinateur de bord, la commande déportée, la batterie VAE, le capteur de vitesse, les accessoires et l'emballage doivent être rapportés à un centre de recyclage respectueux de l'environnement.

Ne jetez pas les systèmes eBike et leurs éléments constitutifs dans les ordures ménagères !



Pour recycler votre batterie Bosch, appelez le 1.800.822.8837.

Índice

Introducción	2
Acerca de las advertencias	2
Advertencias generales	2
Utilización de sus Instrucciones de servicio	3
Etiquetas de advertencia en el producto cargador	4
Funcionamiento del cargador	5
Instrucciones de seguridad	5
Descripción del producto y especificaciones	7
Operación	9
Mantenimiento/Limpieza	12
Resolución de problemas	13
Programa de reciclaje de baterías	14

Introducción

Acerca de las advertencias

Este manual contiene muchos **PELIGROS**, **ADVERTENCIAS**, y **PRECAUCIONES** sobre las consecuencias de una falta de uso, montaje, mantenimiento, almacenamiento, inspección y eliminación de una eBike equipada por Bosch de modo seguro.

- La combinación del símbolo de alerta de seguridad y la palabra **PELIGRO** indica una situación peligrosa que, si no se evita, ocasionará la muerte o lesiones graves.

- La combinación del símbolo de alerta de seguridad y la palabra **ADVERTENCIA** indica una situación peligrosa que, si no se evita, podría provocar la muerte o lesiones graves.
- La combinación del símbolo de alerta de seguridad y la palabra **PRECAUCIÓN** indica una situación peligrosa que, si no se evita, podría ocasionar lesiones leves o moderadas.

Advertencias generales



Lea íntegramente todas las indicaciones de seguridad e instrucciones. No seguir las advertencias e instrucciones siguientes puede provocar la muerte o lesiones graves.

Guarde todas las indicaciones de seguridad e instrucciones para posibles consultas futuras.

El término **Acumulador para eBike** utilizado en estas instrucciones de servicio se refiere a todos los acumuladores originales para eBike de Bosch de la generación del sistema **the smart system (el smart system)**.

- ▶ **Lea TODOS los manuales incluidos antes de montar en la bicicleta por primera vez.** Su sistema de accionamiento de Bosch incluye manuales y documentación adicionales proporcionados por el fabricante de la bicicleta y de otros componentes. No leer o desconocer la información de seguridad puede provocar la muerte o lesiones graves.

ADVERTENCIA

- ▶ **Este manual contiene información importante de seguridad, rendimiento y mantenimiento.** Léalo antes de usar su nueva bicicleta y guárdelo a modo de referencia. Puede encontrar el manual también en línea en www.bosch-ebike.com.

- ▶ **Este manual está previsto para su lectura junto con el manual de usuario aparte que venía con su bicicleta.** Antes de usar la bici por primera vez, asegúrese de leer toda la documentación facilitada, incluidas las etiquetas que lleva el producto.
- ▶ **Por su propia SEGURIDAD, sea responsable.** Si tiene dudas o no entiende algo, consúltelo con su distribuidor o con el fabricante de la bicicleta o del componente.
- ▶ **Algunos accesorios de la eBike pueden suponer un peligro de atragantamiento para los niños pequeños.** Mantenga esos accesorios alejados de los niños.

PRECAUCIÓN

- ▶ **El sistema de accionamiento de Bosch incrementa el peso de su bicicleta, que puede que no esté acostumbrado a levantar.** Evite las lesiones; utilice técnicas de elevación adecuadas.

Utilización de sus Instrucciones de servicio

Además de las funciones aquí representadas, puede ser que se introduzcan en cualquier momento modificaciones de software para la eliminación de errores y modificaciones de funciones.

Gráficos

La bicicleta que se muestra en este manual puede diferir ligeramente de la suya; no obstante, las similitudes son suficientes para ayudarle a entender nuestras instrucciones.

Los lados DERECHO e IZQUIERDO se indican mirando en el sentido que la bicicleta tendrá al circular hacia delante. Si ve una línea discontinua (-----), el elemento al que se refiere está oculto a la vista.

Etiquetas de advertencia en el producto cargador

A

eBike Battery Charger BPC3210
2A Charger
EB12.110.018
Input: 100-120V~ 50-60 Hz 1.7A
Output: 36V== 2A
Made in China
Robert Bosch GmbH
72757 Reutlingen, Germany




This device complies with part 15 of the FCC Rules. Operation is subject to the following two conditions: (1) This device may not cause harmful interference, and (2) this device must accept any interference received, including interference that may cause undesired operation.

⚠ WARNING For safe operation see manual. Risk of electric shock. Indoor use only. Charge only batteries of the Bosch eBike Systems. Other batteries may burst causing personal damage. Do not replace the plug assembly as risk of fire or electric shock may result.

⚠ ADVERTENCIA Para un funcionamiento con seguridad, ver el manual Peligro de sacudida eléctrica. Utilice solamente en lugares secos. Cargar únicamente baterías de sistemas eBike de Bosch. Otras baterías podrían reventar, causando lesiones personales y daños. No reemplace el ensamblaje del enchufe, ya que el resultado puede ser riesgo de incendio o sacudidas eléctricas.

⚠ AVERTISSEMENT Pour un fonctionnement sûr, reportez-vous au manuel. Risque de choc électrique. Utiliser en lieu sec uniquement. A utiliser uniquement avec les batteries des systèmes d'assistance électrique eBike de Bosch. D'autres batteries risqueraient d'éclater et de causer des blessures corporelles et des dommages. Ne pas remplacer la connectique car un risque d'incendie ou de choc électrique pourrait en résulter.

USE ONLY with BOSCH Li-Ion batteries




 CAN ICES-002(B) / NMB-002(B)

B




eBike Battery Charger BPC3410
4A Charger
EB12.110.000
Input: 100-120 V~ 50-60 Hz 3.2 A
Output: 36 V== 4 A BFP
CAN ICES-002(B) / NMB-002(B)
Made in Vietnam
Robert Bosch GmbH
72757 Reutlingen, Germany

This device complies with part 15 of the FCC Rules. Operation is subject to the following two conditions:
(1) This device may not cause harmful interference, and
(2) this device must accept any interference received, including interference that may cause undesired operation.

⚠ WARNING For safe operation see manual. Risk of electric shock. Indoor use only. Charge only Li-ion batteries of the Bosch eBike Systems. Other batteries may burst causing personal damage. Do not replace the plug assembly as risk of fire or electric shock may result.

⚠ ADVERTENCIA Para un funcionamiento con seguridad, ver el manual Peligro de sacudida eléctrica. Utilice solamente en lugares secos. Cargar únicamente Li-ion baterías de sistemas eBike de Bosch. Otras baterías podrían reventar, causando lesiones personales y daños. No reemplace el ensamblaje del enchufe, ya que el resultado puede ser riesgo de incendio o sacudidas eléctricas.

⚠ AVERTISSEMENT Pour un fonctionnement sûr, reportez-vous au manuel. Risque de choc électrique. Utiliser en lieu sec uniquement. A utiliser uniquement avec les batteries Li-Ion des systèmes d'assistance électrique eBike de Bosch. D'autres batteries risqueraient d'éclater et de causer des blessures corporelles et des dommages. Ne pas remplacer la connectique car un risque d'incendie ou de choc électrique pourrait en résulter.

A 2A Charger

B 4A Charger

En la parte inferior del cargador (marcada con el número **(4)** en la figura de la página de gráficos) hay una versión abreviada de las advertencias de seguridad en inglés, francés y español con el contenido siguiente:

- Consulte el manual para garantizar funcionamiento seguro.
- Riesgo de descarga eléctrica
- Solo para uso en interiores
- Cargue únicamente baterías del sistema eBike de Bosch. Otras baterías podrían explotar y provocar daños personales.
- No reemplace el conjunto de conexión ya que podría producirse un incendio o descarga eléctrica.

Funcionamiento del cargador

Instrucciones de seguridad

INSTRUCCIONES DE SEGURIDAD IMPORTANTES.

CONSERVE ESTAS INSTRUCCIONES –

Este manual contiene instrucciones de seguridad y de funcionamiento importantes para este cargador de batería.

- ▶ Antes de utilizar el cargador de batería, lea todas las instrucciones y medidas de protección incluidas en el cargador de batería, en la batería y el producto que utiliza la batería.

PRECAUCIÓN

- ▶ **Para evitar el riesgo de daños, cargue únicamente baterías del sistema eBike de Bosch.** Otras baterías podrían explotar y provocar lesiones y daños personales.



- ▶ **Lea y conozca todas las indicaciones de seguridad y las instrucciones.** No seguir las advertencias siguientes puede provocar la muerte o lesiones graves.

Guarde todas las indicaciones de seguridad e instrucciones para posibles consultas futuras.

El término **Cargador** utilizado en estas instrucciones de servicio se refiere a todos los cargadores de Bosch de la generación del sistema **the smart system (el smart system)**.

El término **Acumulador para eBike** utilizado en estas instrucciones de servicio se refiere a todos los acumuladores originales para eBike de Bosch de la generación del sistema **the smart system (el smart system)**.

- ▶ **Lea y siga todas las indicaciones de seguridad e instrucciones de todos los manuales de uso del sistema eBike, así como las instrucciones de uso de su eBike.**

PELIGRO

- ▶ **Cargue las baterías de iones de litio para eBikes de Bosch solo con cargadores aprobados para eBikes de Bosch. La tensión de la batería debe coincidir con la tensión de carga del cargador.** De lo contrario, existe riesgo de incendio y explosión.
- ▶ **Tras la carga en la eBike, cierre con cuidado la toma de carga con la cubierta.** Así se garantiza que no penetre ninguna suciedad ni agua.



Mantenga el cargador alejado de la lluvia o la humedad. La penetración de agua en el cargador comporta un mayor riesgo de electrocución.

ADVERTENCIA

- ▶ **Utilice únicamente el cargador de batería de Bosch suministrado con su eBike u otro autorizado para su eBike por el fabricante y comprado de una fuente de confianza.** Prescindir del cargador de la batería o utilizar un cargador no aprobado o falso, puede provocar la muerte o lesiones graves.
- ▶ **No cargue ni utilice la eBike en lugares con una atmósfera potencialmente explosiva, como gasolineras, ni en zonas en las que el aire contenga productos químicos o partículas (como semillas, polvo o polvo de metales).** Obedezca todas las señales e instrucciones.
- ▶ **Mantenga limpio el cargador de la batería.** La contaminación puede provocar el riesgo de descarga eléctrica. Límpielo únicamente con un paño húmedo (jabón suave/agua).
- ▶ **Antes de cualquier uso, compruebe el cargador, el cable y el enchufe. No utilice el cargador, si detecta daños. No abra el cargador.** Cargadores, cables y enchufes dañados comportan un mayor riesgo de electrocución.

- ▶ **No opere el cargador sobre superficies fácilmente inflamables (por ejemplo, papel, tejidos, etc.) o en un entorno inflamable.** Debido al calentamiento del cargador durante la carga, existe peligro de incendio.
- ▶ **Proceda con cuidado cuando toque el cargador durante el proceso de carga. Utilice guantes de protección.** El cargador puede llegar a calentarse fuertemente, especialmente si la temperatura ambiente es alta.
- ▶ **Si se daña la batería de la eBike o se utiliza de forma indebida, pueden salir vapores. En tal caso, busque un entorno con aire fresco y acuda a un médico si nota molestias.** Los vapores pueden irritar las vías respiratorias.
- ▶ **No debe dejarse cargando la batería de la eBike sin la debida vigilancia.**
- ▶ **Las baterías de eBikes no deben estar expuestas a golpes mecánicos.** Existe el riesgo de que la batería de la eBike se dañe.
- ▶ **Mantenga alejado el cargador de la batería de los niños.** De esta manera, los niños no podrán jugar con el cargador.
- ▶ **Las personas que no sean capaces de manejar el cargador de forma segura debido a sus limitaciones físicas, sensoriales o mentales, o por su falta de experiencia o conocimientos, solo podrán utilizarlo bajo supervisión o después de haber sido instruidas por una persona responsable.** De lo contrario, existe el riesgo de que se produzcan errores de manejo y lesiones.

INDICACIÓN: Este dispositivo cumple con la Parte 15 de las Normas de la FCC. La operación está sujeta a las siguientes dos condiciones:

1. Este dispositivo no debe causar interferencias dañinas, y

2. este dispositivo debe aceptar cualquier interferencia que se reciba, incluida la interferencia que pueda causar un funcionamiento no deseado.

INDICACIÓN: Los cambios o modificaciones realizados en este equipo no aprobados expresamente por Robert Bosch GmbH pueden anular la autorización de la FCC para operar este equipo.

NOTA: Este equipo ha sido probado y cumple con los límites para un dispositivo digital de Clase B, de conformidad con la Parte 15 de las Normas de la FCC. Estos límites están diseñados para proporcionar una protección razonable contra interferencias perjudiciales en una instalación residencial. Este equipo genera, utiliza y puede emitir energía de radiofrecuencia y, si no se instala y utiliza de acuerdo con las instrucciones, puede causar interferencias perjudiciales en las comunicaciones de radio. Sin embargo, no existe garantía de que no se produzcan interferencias en una instalación en particular. Si este equipo causa interferencias perjudiciales en la recepción de radio o televisión, lo cual puede determinarse encendiendo y apagando el equipo, se recomienda al usuario que intente corregir la interferencia mediante una o más de una de las siguientes medidas:

- Reorientar o reubicar la antena receptora.
- Aumente la separación entre el equipo y el receptor.
- Conecte el equipo a una toma de corriente en un circuito diferente al que está conectado el receptor.
- Diríjase al distribuidor o a un técnico de radio/TV experimentado para obtener ayuda.

Organismo responsable:

Bosch eBike Systems Americas

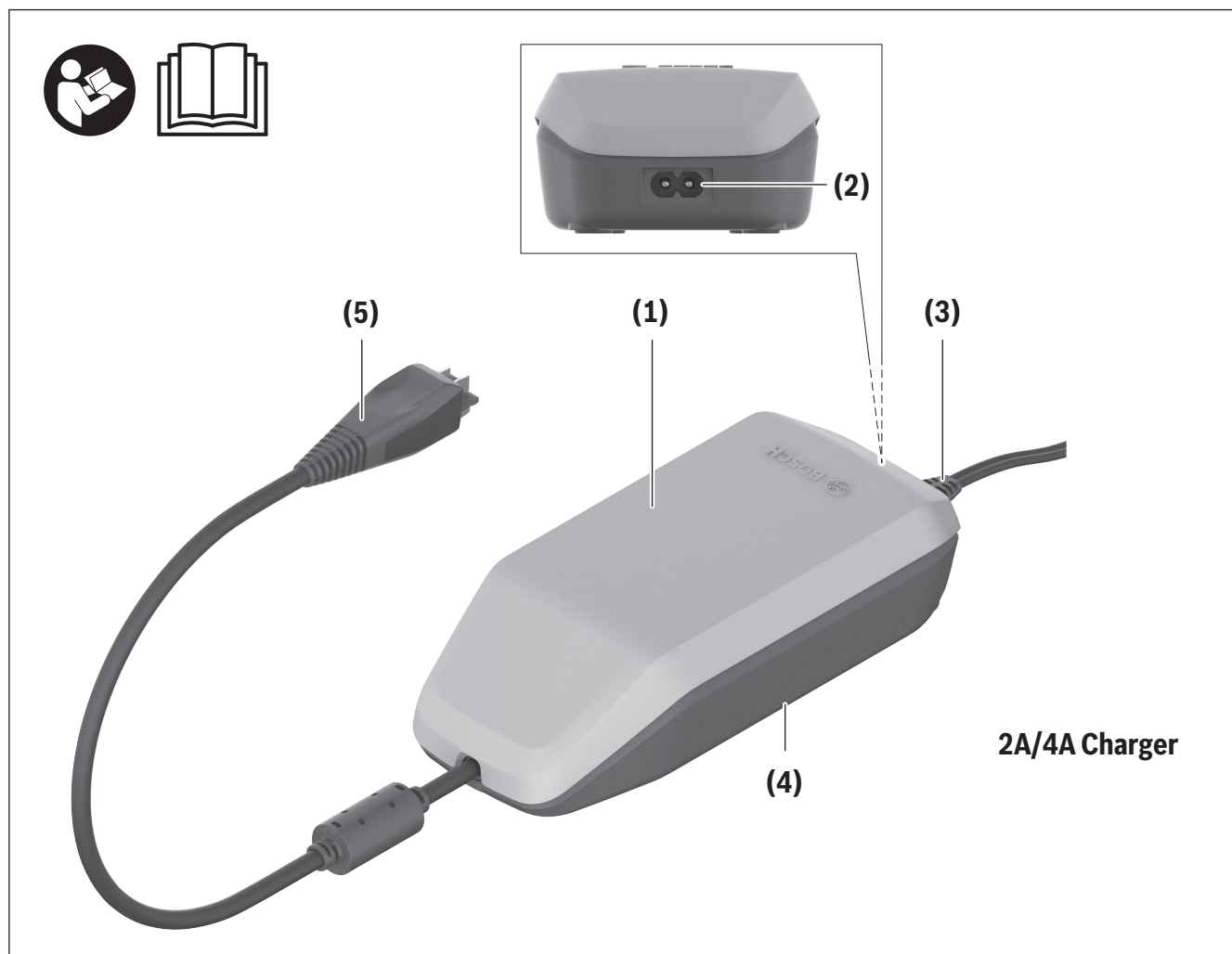
Robert Bosch LLC

27211 Burbank, Foothill Ranch, CA 92610, USA,

www.bosch-ebike.com/us/

Descripción del producto y especificaciones

Características del producto



Todas las representaciones de los componentes de la bicicleta, a excepción de las baterías y sus soportes, se muestran de manera esquemática y pueden diferir de su eBike.

- (1)** Cargador
- (2)** Conector hembra del aparato
- (3)** Enchufe del aparato
- (4)** Instrucciones de seguridad del cargador
- (5)** Conector del cargador

Utilización reglamentaria

Además de las funciones aquí representadas, puede ser que se introduzcan en cualquier momento modificaciones de software para la eliminación de errores y modificaciones de funciones.

Los cargadores para eBikes de Bosch están diseñados exclusivamente para cargar los acumuladores de

eBikes de Bosch y no deben utilizarse para ningún otro objetivo.

Los cargadores de eBike de Bosch aquí representados son compatibles con las baterías de eBike de Bosch de la nueva generación de sistema **the smart system (el smart system)**.

Datos técnicos

Cargador		2A Charger	4A Charger
Código de producto		BPC3210	BPC3410
Tensión de entrada	V~	100–120	100–120
Frecuencia	Hz	50–60	50–60
Tensión nominal de la batería	V=	36	36
Corriente de carga (máx.)	A	2	4
Tiempo de carga del PowerTube 750 aprox. ^{A)}	h	11	6
Tiempo de carga del PowerPack 400 aprox. ^{A)}	h	6	3,5
Temperatura de funcionamiento	°F	32 ... 104	32 ... 104
Temperatura de almacenamiento	°F	50 ... 104	50 ... 104
Peso, aprox.	lb	1,2	1,5
Grado de protección		IP40	IP40

A) Los tiempos de carga de otras baterías de eBike se pueden consultar en la página web: www.bosch-ebike.com.

Cable de red

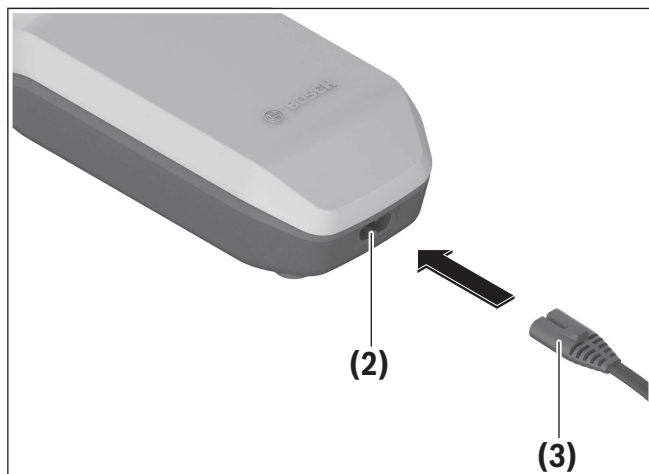
Número de artículo		1 270 020 343
Tensión nominal – Cable	V~	300
Tensión nominal – Conector/conectador enchufable	V~	125
Corriente nominal – Conector/conectador enchufable	A	10
Material – Cable		PVC
Estándar de seguridad – Cable		UL 62
Estándar de seguridad – Conector/conectador enchufable		UL 817
Longitud aprox.	ft	6

Desde el punto de vista de la compatibilidad electromagnética (EMV), el cargador está clasificado como un dispositivo de sobremesa.

Operación

Puesta en marcha

Conexión del cargador a la red eléctrica



(2) Conector hembra del aparato

(3) Enchufe del aparato

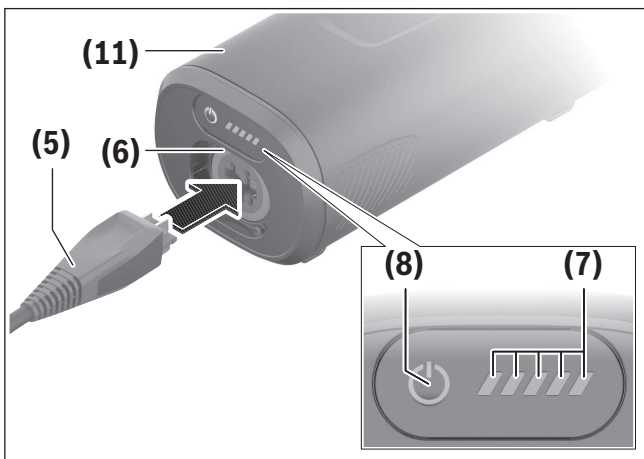
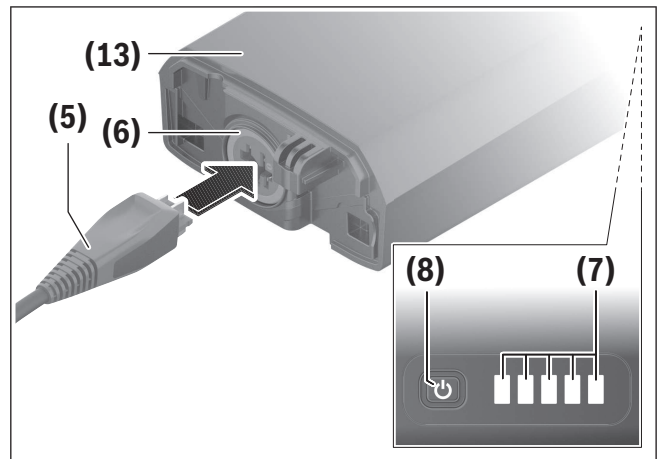
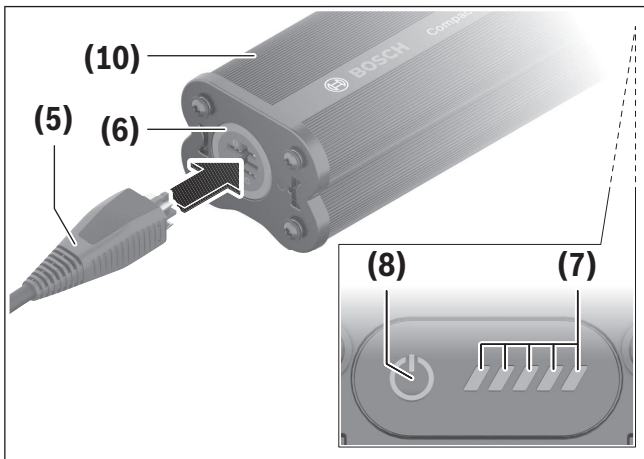
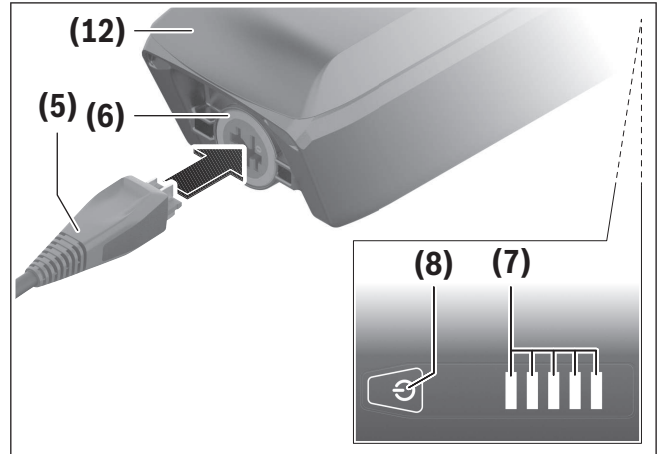
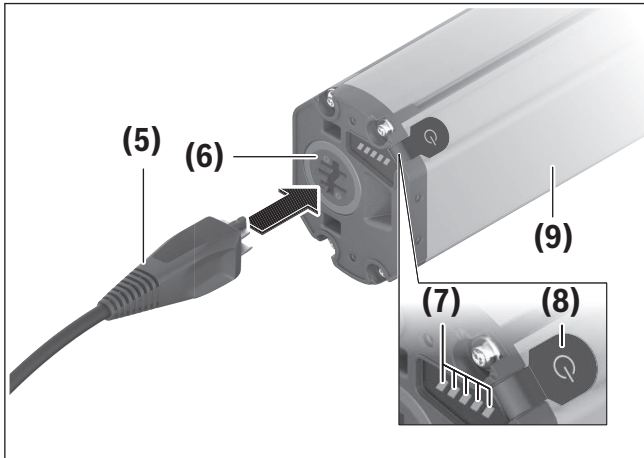
- **¡Tenga en cuenta el voltaje de la casa!** El voltaje del suministro debe corresponderse con las especificaciones que figuran en la placa de características del cargador de la batería.

Inserte el conector macho **(3)** del cable de red en el conector hembra **(2)** del cargador.

Conecte el enchufe (específico de cada país) a la red.

Utilice únicamente la conexión de entrada suministrada: cable de alimentación estándar CA (**(3)** en el diagrama) al conectarlo al suministro eléctrico de la casa.

Carga de la batería de la eBike extraída



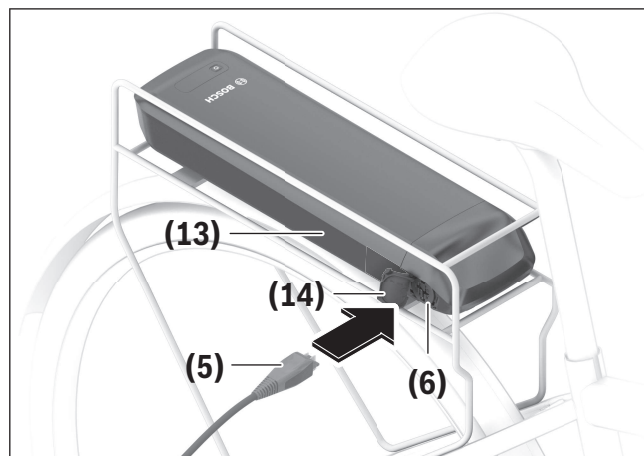
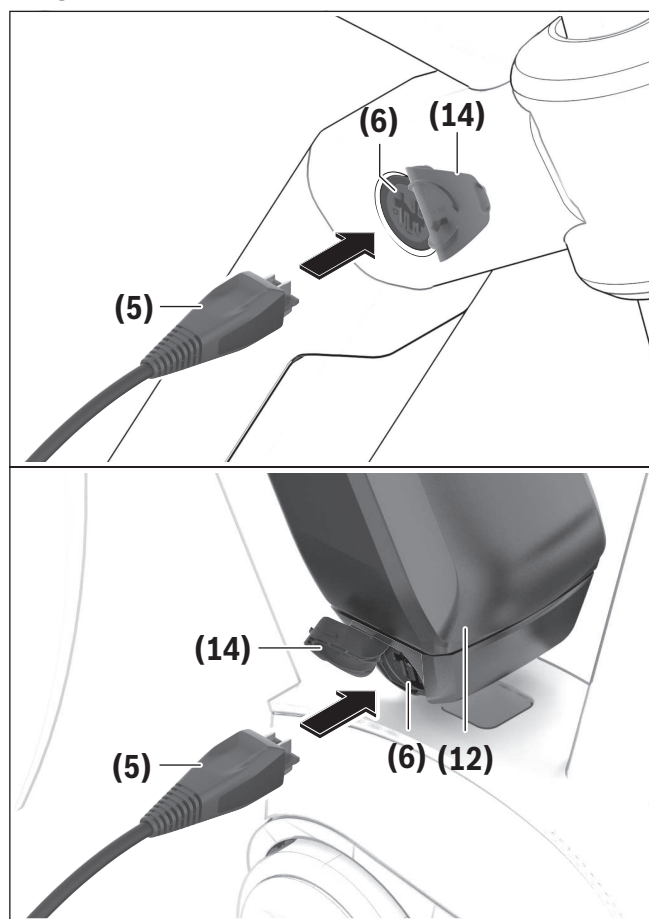
- (5) Conector del cargador
- (6) Toma para el cargador
- (7) Indicador del estado de funcionamiento y de carga
- (8) Tecla de conexión/desconexión de la batería de la eBike
- (9) PowerTube
- (10) CompactTube
- (11) PowerMore
- (12) PowerPack
- (13) Batería para portaequipajes

Desconecte la batería de la eBike y retírela del soporte de la eBike. Para ello, lea y atégase a las instrucciones de uso de la batería de la eBike.

- **Coloque la batería de la eBike solo sobre superficies limpias.** Ponga especial cuidado de no ensuciar el conector hembra para carga ni los contactos, p. ej. con arena o tierra.

Inserte el conector macho **(5)** del cargador en la toma de carga **(6)** de la batería de la eBike.

Carga de la batería de la eBike en la eBike



- (5)** Conector del cargador
- (6)** Toma para el cargador
- (14)** Tapa de la toma de carga
- (12)** PowerPack
- (13)** Batería para portaequipajes

Desconecte la batería de la eBike. Limpie la cubierta del conector hembra para carga **(14)**. Ponga especial cuidado de no ensuciar el conector hembra para carga ni los contactos, p. ej. con arena o tierra. Levante la cubierta del conector hembra para carga **(14)** y conecte el conector macho para carga **(5)** al conector hembra para carga **(6)**.

- **Por causa del calentamiento del cargador durante la carga existe peligro de incendio. Cargue siempre las baterías de la eBike en lugares secos y protegidos contra incendios.** Si esto no fuese posible, extraiga la batería de la eBike del soporte y cárguela en un lugar más apropiado. Para ello, lea y atégase a las instrucciones de uso de la batería de la eBike.

Proceso de carga

El proceso de carga comienza en cuanto el cargador está conectado con la batería de la eBike o con el conector hembra para carga en la eBike y con la red eléctrica.

Indicación: El proceso de carga solamente puede realizarse, si la temperatura del acumulador de la eBike se encuentra en el rango de temperatura de carga permitido.

Indicación: Durante el proceso de carga se desactiva la unidad de accionamiento.

Es posible cargar la batería de la eBike con y sin ordenador de a bordo. Sin ordenador de a bordo, el proceso de carga puede observarse mediante el indicador del estado de carga de la batería **(7)** y, en caso necesario, mediante el cuadro de mandos.

Con un ordenador de a bordo conectado, aparecerá un mensaje correspondiente en la pantalla.

El estado de carga se indica mediante el indicador del estado de carga **(7)** de la batería de la eBike en el cuadro de mandos y, en caso necesario, mediante barras en el ordenador de a bordo.

Durante el proceso de carga están encendidos los LED del indicador del estado de carga **(7)** en la batería de la eBike. Cada LED permanentemente encendido equivale a un 20 % de la capacidad de carga. El LED parpadeante indica la carga del siguiente 20 %.

Cuando la batería de la eBike esté cargada por completo, los LED se apagan de inmediato y el ordenador de a bordo se desconecta. El proceso de carga finaliza. Pulsando la tecla de conexión/desconexión **(8)** en el acumulador de la eBike se puede visualizar el estado de carga durante **5** segundos.

Desconecte el cargador de la red y la batería de la eBike del cargador.

Al desconectarla del cargador, la batería de la eBike se desconecta automáticamente.

Nota: Si ha realizado la carga en la eBike, una vez terminado el proceso de carga cierre con cuidado el conector hembra para carga **(6)** con la cubierta **(14)** para que no entre suciedad ni agua.

En caso de no desconectar el cargador de la batería de la eBike tras la carga, el cargador se vuelve a encender transcurridas unas horas para comprobar el estado de carga de la batería de la eBike y comenzar de nuevo la carga si fuese necesario.

Mantenimiento/Limpieza

ADVERTENCIA

- ▶ **No abra ninguno de los componentes. El mantenimiento debe llevarse a cabo exclusivamente por parte de un distribuidor de eBike de Bosch autorizado.** El incumplimiento de la advertencia anterior puede causar la muerte o lesiones graves. Consulte su manual de la bicicleta o de aquellos componentes del sistema de accionamiento que no sean de Bosch.
- ▶ **No sumerja los componentes eBike en el agua ni los limpie con una manguera a presión.** El accionamiento de Bosch está diseñado para ser impermeable al agua de lluvia o a una limpieza con manguera sin presión.
- ▶ **No pinte los componentes del sistema de accionamiento de Bosch, ya que eso podría causar un fallo temprano de los mismos.**




Servicio técnico y atención al cliente

En caso de cualquier consulta sobre la eBike y sus componentes, diríjase a un distribuidor de bicicletas autorizado.

Los detalles de contacto de los distribuidores de bicicletas autorizados se pueden encontrar en el sitio web www.bosch-ebike.com.

Si la batería de su eBike ya no funciona, acuda a un distribuidor de bicicletas autorizado.

Resolución de problemas

Causa	Remedio
 <p>Batería de la eBike defectuosa</p>	<p>Parpadean dos LED en la batería de la eBike.</p> <p>Contactar con un distribuidor de bicicletas autorizado.</p>
 <p>Batería de la eBike demasiado caliente o fría</p>	<p>Parpadean tres LED en la batería de la eBike.</p> <p>Desconectar la batería de la eBike del cargador hasta que se alcance el rango de temperatura de carga.</p> <p>No conecte de nuevo la batería de la eBike al cargador hasta que haya alcanzado la temperatura de carga correcta.</p>
 <p>El cargador no carga.</p>	<p>No parpadea ningún LED (en función del estado de carga de la batería de la eBike se iluminan permanentemente uno o varios LED).</p> <p>Contactar con un distribuidor de bicicletas autorizado.</p>
<p>No es posible cargar (ninguna indicación en la batería de la eBike)</p>	
Enchufe introducido incorrectamente	Verificar todas las conexiones por enchufe.
Contactos de la batería de la eBike sucios	Limpiar con cuidado los contactos de la batería de la eBike.
Toma de corriente, cable o cargador defectuoso	Comprobar la tensión de la red; dejar revisar el cargador por parte del distribuidor de bicicletas.
Batería de la eBike defectuosa	Contactar con un distribuidor de bicicletas autorizado.

Programa de reciclaje de baterías



La unidad de accionamiento, el ordenador de a bordo incl. la unidad de mando, el acumulador para eBike, el sensor de velocidad, los accesorios y los embalajes deben reciclarse de forma respetuosa con el medio ambiente.

¡No arroje eBikes y sus componentes a la basura!



Puede reciclar su paquete de baterías de Bosch llamando al 1.800.822.8837.