

Cette notice contient d'importantes informations sur la sécurité, les performances et l'entretien. Lisez-les et comprenez-les ainsi que les informations fournies par le fabricant de votre vélo avant d'utiliser le produit, et conservez-les pour référence ultérieure.

Owner's Manual – The Bosch Drive System Kiox 300

BHU3600



Robert Bosch GmbH
72757 Reutlingen
Germany

www.bosch-ebike.com

0 275 U07 3BK (2022.03) T / 40



Este manual contiene información importante de seguridad, rendimiento y mantenimiento. Léalo y asegúrese de entenderlo junto con la información que le ha facilitado el fabricante de su bicicleta antes de usar el producto; guárdelo a modo de referencia.

en Original operating instructions
fr Notice d'utilisation d'origine
es Instrucciones de servicio originales

This manual contains important safety, performance and service information. Read and understand it along with the information provided to you by your bicycle manufacturer before using the product, and keep it for reference.



Table of contents

Introduction	2
About Warnings	2
General Warnings	2
Using your Manual	3
Operating your Bosch Display Unit	4
Safety instructions	4
Product Features Kiox 300	7
Assembly	9
Operation	10
Maintenance and servicing	12
Maintenance and cleaning	12
After-sales service and advice on using products	12
Battery Recycling Program	12

Introduction

About Warnings

This manual contains many **DANGER**, **WARNING**, and **CAUTION** indicators concerning the consequences of failure to use, assemble, maintain, store, inspect and dispose of a Bosch-equipped eBike in a safe manner.

- The combination of the safety alert symbol and the word **DANGER** indicates a hazardous situation that, if not avoided, will result in death or serious injury.
- The combination of the safety alert symbol and the word **WARNING** indicates a hazardous situation that, if not avoided, could result in death or serious injury.
- The combination of the safety alert symbol and the word **CAUTION** indicates a hazardous situation that, if not avoided, could result in minor or moderate injury.

General Warnings



Read all safety warnings and all instructions. Failure to follow the warnings and instructions may result in death or serious injury.

Save all safety warnings and instructions for future reference.

The term **battery pack** used in these operating instructions refers to all original Bosch eBike battery packs.

- ▶ **Read ALL accompanying manuals before riding the bike for the first time.** Your Bosch Drive System comes with additional manuals and documents provided by the manufacturer of the bicycle and other components. Failure to read and understand safety information can result in death or serious injury.

WARNING

- ▶ **This manual contains important safety, performance and service information.** Read it before you take the first ride on your new bicycle, and keep it for reference. The manual can also be found online at www.bosch-ebike.com.
- ▶ **This manual is intended to be read together with the separate user manual provided with your bicycle.** Be sure to read all provided documents including labels on the product before your first ride.

- ▶ **Take responsibility for your own SAFETY.** If you have any questions or do not understand something, consult with your dealer or the bicycle or component manufacturer.
- ▶ **Some eBike accessories may present a choking hazard to small children.** Keep these accessories away from children.

CAUTION

- ▶ **The Bosch Drive System adds weight to your bicycle which you may not be used to lift.** Avoid injury, use proper lifting techniques.

Using your Manual

In addition to the functions outlined here, changes to software relating to troubleshooting and functional modifications may be introduced at any time.

Graphics

The bicycle shown in this manual may differ slightly from your bicycle, but will be similar enough to help you understand our instructions.

RIGHT-HAND and LEFT-HAND sides are determined by facing in the direction the bicycle will travel when going forward. When you see a broken line (-----), the item referred to is hidden from view.

Operating your Bosch Display Unit

Safety instructions



Read all the safety information and instructions. Failure to observe the safety information and follow instructions may result in electric shock, fire and/or serious injury.

Save all safety warnings and instructions for future reference.

The term **battery pack** used in these operating instructions refers to all original Bosch eBike battery packs.

- ▶ **Read and observe the safety warnings and instructions in all operating instructions of the eBike system and your eBike.**
- ▶ **Do not attempt to fix display or remote control while riding!**
- ▶ **Do not allow yourself to be distracted by the display of the on-board computer.** If you do not concentrate exclusively on the traffic around you, you risk being involved in an accident. If you want to change any settings on the on-board computer other than the assistance level, always stop before entering the relevant data.
- ▶ **Do not operate your smartphone during the journey.** If you do not concentrate exclusively on the traffic around you, you risk being involved in an accident. When using your smartphone, only enter the relevant data once you've stopped.
- ▶ **Set the display brightness such that you can adequately see important information like speed or warning symbols.** An incorrectly set display brightness can result in dangerous situations.
- ▶ **Do not open the on-board computer.** Opening the on-board computer can result in irreparable damage and void your warranty.
- ▶ **Do not use the on-board computer as a handle.** Lifting the eBike up by the on-board computer can cause irreparable damage to the on-board computer.
- ▶ **Do not stand your bicycle upside down on its saddle and handlebars if the on-board computer or its holder protrude from the handlebars.** This may irreparably damage the on-board computer or the holder. Also remove the on-board computer before placing the bicycle on a wall mount to ensure that the on-board computer does not fall off or become damaged.
- ▶ **Do not enter information or make selections while riding.** Interacting with the display unit while riding can lead to accidents causing serious injury or death. You must observe road and traffic conditions, and comply with traffic laws at all times.
- ▶ **Accessing other apps, reading pop up messages/other content, or otherwise using your mobile device while operating an eBike may be distracting. Distracted driving is a serious safety concern and can lead to accidents causing serious injury or death. In order to prevent distracted driving, most mobile devices come equipped with a “Do Not Disturb” mode. The “Do Not Disturb” mode should be used while operating an eBike.** Please consult your device-specific instructions for more information. You, as the eBike operator, are fully responsible for ensuring that you pay attention to road conditions and comply with traffic laws at all times.
- ▶ **Do not activate push assistance function while riding on the bike.** Only use push assistance function when pushing the eBike.
- ▶ Please note that certain State or local laws may require that class III eBikes must be equipped with a functioning speedometer that displays speed in miles per hour. Riders must be aware of any and all applicable rules and regulations related to the operation or use of class III eBikes in any applicable ju-

risdictions before operating or otherwise using this product.

Safety Instructions in Conjunction with the Navigation System

- ▶ **Do not plan any routes while riding. Make sure that you come to a complete stop and only input a new destination while at a standstill.** If you do not concentrate exclusively on the traffic around you, you risk being involved in an accident.
- ▶ **Discontinue following your route if the navigation system suggests a path for you to take that may be risky or dangerous for you according to your capabilities as a rider.** Allow the navigation system to select an alternative route for you instead.
- ▶ **Make sure to observe all traffic signs regardless of the route proposed by the navigation system.** The navigation system is unable to take roadworks or temporary diversions into account.
- ▶ **Do not use the navigation system in circumstances where special attention must be given to safety, or if it is unclear how to proceed (road closures, diversions, etc.).** Always carry additional map sources and means of communication.
- ▶ **The navigation system instructs you to perform an unsafe or illegal maneuver.** Cancel the navigation system and choose an alternative route.
- ▶ **The navigation system directs you into an unsafe area.** Cancel the navigation system and choose an alternative route.
- ▶ **The navigation system does not direct you to the nearest emergency facility when needed.** Make an emergency call and inquire as to the quickest available route.
- ▶ **The location of the bicycle is indicated incorrectly by the navigation system.** Use a secondary source of information to determine where you are located currently.
- ▶ **The volume of the navigation system prevents you from hearing surrounding traffic while riding.** Ensure that you are able to perceive sounds

from traffic in the vicinity at all times, so that you can react to potential dangers appropriately.

- ▶ **NAVIGATION SERVICES ARE PROVIDED FOR PLANNING PURPOSES ONLY. INFORMATION FROM NAVIGATION SERVICES MAY DIFFER FROM ACTUAL CONDITIONS. USER MUST EXERCISE INDEPENDENT JUDGEMENT WHEN USING THE NAVIGATION SERVICES TO ENSURE THAT THE ROUTE PROVIDED BY THE NAVIGATION SERVICES IS SAFE AND APPROPRIATE FOR EBIKE USAGE.**

NOTICE: This device complies with part 15 of the FCC Rules. Operation is subject to the following two conditions:

1. This device must not cause harmful interference, and
2. this device must accept any interference received, including interference that may cause undesired operation.

NOTICE: Changes or modifications made to this equipment not expressly approved by the Robert Bosch GmbH may void the FCC authorization to operate this equipment.

NOTE: This equipment has been tested and found to comply with the limits for a Class B digital device, pursuant to Part 15 of the FCC Rules. These limits are designed to provide reasonable protection against harmful interference in a residential installation. This equipment generates, uses and can radiate radio frequency energy and, if not installed and used in accordance with the instructions, may cause harmful interference to radio communications. However, there is no guarantee that interference will not occur in a particular installation. If this equipment does cause harmful interference to radio or television reception, which can be determined by turning the equipment off and on, the user is encouraged to try to correct the interference by one or more of the following measures:

- Reorient or relocate the receiving antenna.
- Increase the separation between the equipment and receiver.

- Connect the equipment into an outlet on a circuit different from that to which the receiver is connected.
- Consult the dealer or an experienced radio/TV technician for help.

CAN ICES3(B)/NMB3(B)

Responsible Party for North-America:

Bosch eBike Systems Americas

Robert Bosch LLC

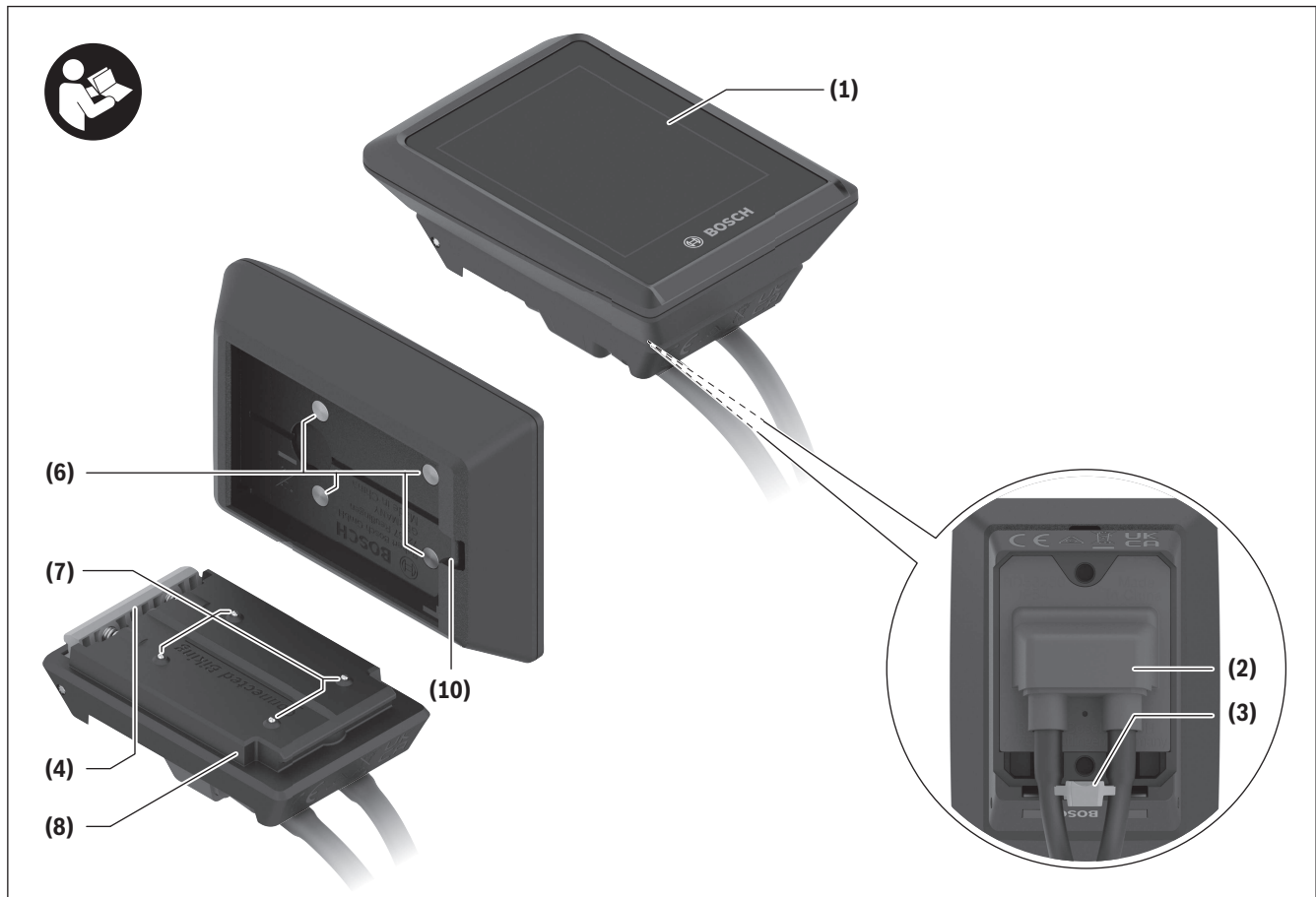
27211 Burbank, Foothill Ranch, CA 92610, USA,

www.bosch-ebike.com/us/

Privacy notice

If the on-board computer is sent to Bosch Service because it requires servicing, the data stored on the on-board computer may be transmitted to Bosch.

Product Features Kiox 300



- (1)** Display
- (2)** Cable outlet
- (3)** Removal blocker
- (4)** Snap-in hook
- (5)** Adapter tray
- (6)** Display contacts
- (7)** Holder contacts
- (8)** Display mount
- (9)** Display mount fastening screw
- (10)** Bridge for retaining strap^{a)}

a) Retaining strap is not included in the scope of delivery.

Intended use

The **Kiox 300** on-board computer is designed to display cycling data.

To access the full functionality of the **Kiox 300** on-board computer, you will need a compatible smartphone installed with the **eBike Flow** app (available from the Apple App Store or the Google Play Store).

Technical data

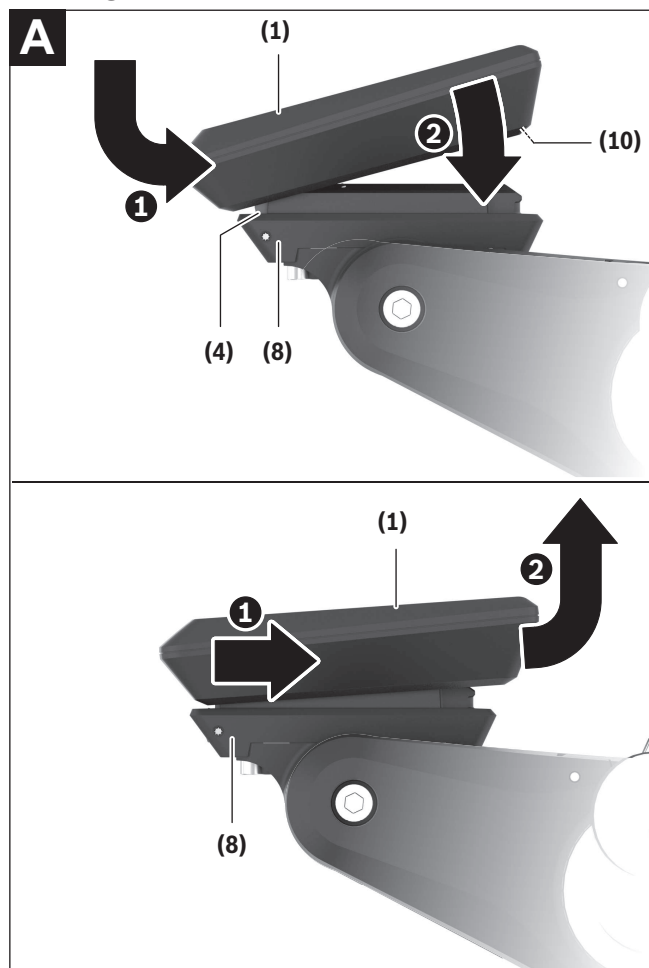
On-board computer	Kiox 300	
Product code		BHU3600
Operating temperature ^{A)}	°F	+23 to +104
Storage temperature	°F	+50 to +104
Protection rating		IP54
Weight, approx.	oz	1.13

A) Temperatures outside of this range may cause faults in the display.

The license information for the product is available at the following Internet address: <https://www.bosch-ebike.com/licences>

Assembly

Fitting and removing the display (see figure A)

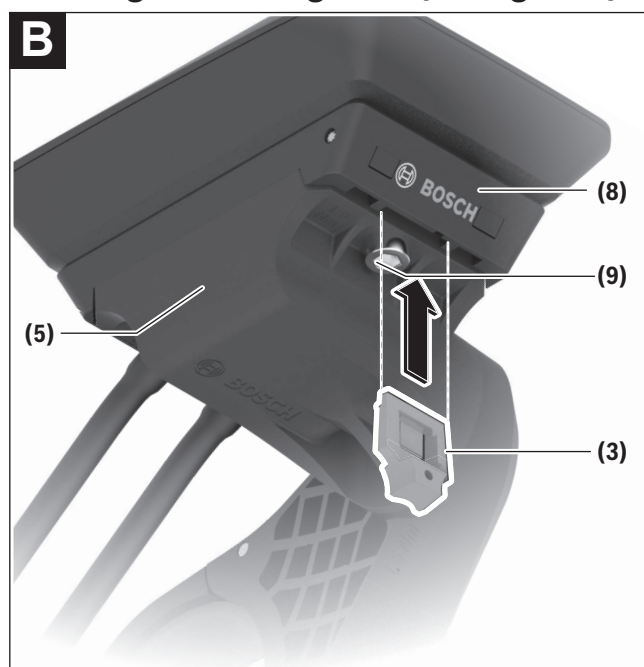


To **fit** the display (1), attach the display (1) to the front edge of the display fixture (8) in the direction of travel, on the latching hook (4) ❶ and press the rear side of the display (1) on the display fixture (8) ❷. To **remove** the display (1), pull the display (1) towards you ❶ until you are able to lift off the display (1) ❷.

A retaining strap can be secured to the bridge (10).

Note: The eBike system switches off if you are traveling slower than 1.9 mph and take the on-board computer out of the holder. This does not apply to eBikes with a support up to 28 mph.

Inserting the Locking Plate (see figure B)



Note: Depending on the design/installation of the display mount, it may be the case that the removal blocker cannot be used. The display must be installed here.

Insert the locking plate (3) into the adapter shell (5) from below until you hear the locking plate (3) click into place.

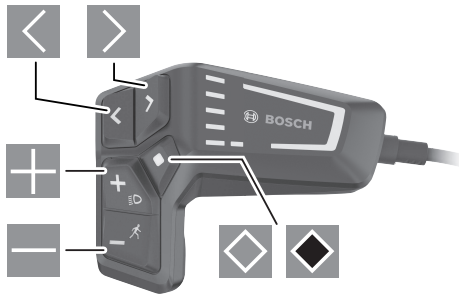
From this point onwards, you can no longer lift off the display (1) from the display fixture (8) without removing the display fixture (8) from the adapter shell (5) by loosening the two fastening screws (9).

Note: The locking plate (3) is not an anti-theft device.

Operation

The displays are operated and the indicators are controlled via an operating unit.

The meaning of the buttons on the operating unit for the display indicators can be found in the following overview. Depending on how long it is pressed for, the select button has 2 functions.

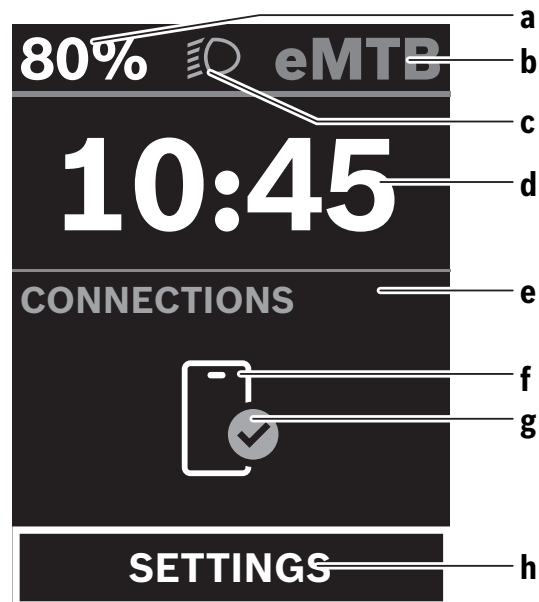


- ◀ Scroll to the left
- ▶ Scroll to the right
- ⊕ Scroll up
- ⊖ Scroll down
- ◊ Switch to the second screen level (press briefly)
Open the settings menu in the status screen (press briefly)
- ◊ Open page-related options
e.g. **<Reset trip>** (press and hold > 1 s)

Note: All interface displays and texts on the following pages correspond to the release status of the software. The interface displays and texts may change slightly following a software update.

Status screen

From the start page, you can access the status page by pressing the ◀ button.



- a Battery charge
- b Assistance level
- c Bicycle lights
- d Time
- e Connection indicator
- f Smartphone connection
- g Connection status
- h Settings menu

You can access the settings menu from this page by pressing the ◊ button.

Note: The settings menu cannot be called up while riding.

The settings menu **<SETTINGS>** includes the following menu items:

– **<My eBike>**

You can find the following menu items here.

▪ **<Range reset>**

The value for the range can be reset here.

▪ **<Auto trip reset>**

The settings for automatic reset can be adjusted here.

- **<Wheel circumf.>**

The value of the wheel circumference can be adjusted or reset to the default setting here.

- **<Service>**

Your next service appointment is displayed here if it has been set by the bicycle dealer.

- **<Components>**

The components used with their version numbers are displayed here.

- **<My Kiox>**

You can find the following menu items here.

- **<Statusbar>**

You can choose here between the **<Battery>**, **<Time>** and **<Speed>** displays.

- **<Language>**

You can select your preferred system language here.

- **<Units>**

You can choose between metric and imperial measurements here.

- **<Time>**

You can set the time here.

- **<Time format>**

You can choose between 2 time formats here.



- **<Brightness>**

You can set the display brightness here.

- **<Settings reset>**

You can reset all of the system settings to the default values here.

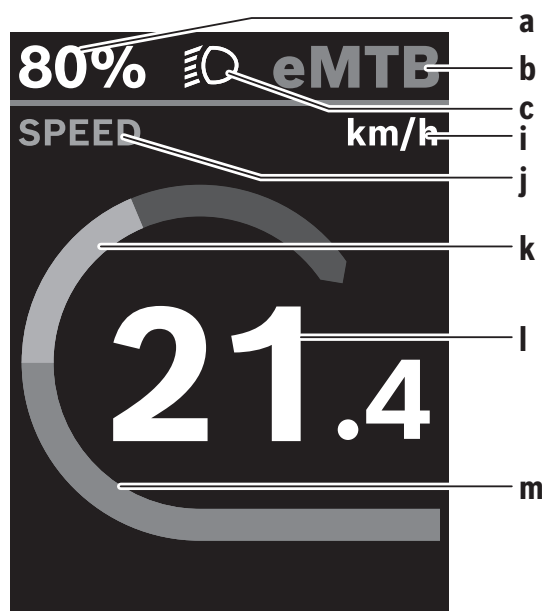
- Under the **<Information>** menu item, you will find the contact details (**<Contact>**) and certificates (**<Certificates>**).

You can leave the settings menu by pressing the  or  button.

Press the  button to access the start page.



Start page


If you did not select another page before the last time you switched off, you will be shown this page.




- a** Battery charge
- b** Assistance level
- c** Bicycle lights
- i** Unit of speed indicator
- j** Indicator name
- k** Your performance
- l** Speed
- m** Motor output

The **a** to **c** indicators form the status bar and are shown on every page.

You can use the  button to change from this page to the status page or press the  button to access additional pages. Statistical data, the battery range and the average values are displayed on these pages.

From each of these pages, you can access the second level of data by pressing the  button.

If the user is on a different page from the start page when they switch off, the most recently displayed page will appear again when the eBike is switched on. Pressing and holding the  select button enables you to reset the statistical data for your journey or excursion (not on the **<SETTINGS>** page).

Maintenance and servicing

Maintenance and cleaning

Do not clean any of the components with pressurized water.

Keep the screen of your on-board computer clean.

Dirt can cause faulty brightness detection.

Clean your on-board computer using a soft cloth dampened only with water. Do not use cleaning products of any kind.

Have your eBike system checked by an expert at least once a year (including mechanical parts, up-to-date-ness of system software).

The bike retailer can also schedule the service based on a mileage and/or a time period. In this case, the

on-board computer displays a message telling you when the service date is due each time it is switched on.

Please have your eBike serviced and repaired by an authorized bicycle dealer.

► **Only have repairs performed by a certified bicycle dealer.**

Note: If you hand over your eBike to a bicycle dealer for maintenance, it is recommended to temporarily deactivate **<eBike Lock>** and **<eBike Alarm>** to avoid a false alarm.

After-sales service and advice on using products

If you have any questions about the eBike system and its components, contact an authorized bicycle dealer.

For contact details of authorized bike dealerships, please visit www.bosch-ebike.com.

Battery Recycling Program



The drive unit, on-board computer incl. operating unit, battery, speed sensor, accessories and packaging should be disposed of in an environmentally correct manner.

Do not dispose of eBikes and their components with household waste.



You may recycle your Bosch battery pack by calling 1.800.822.8837.

Table des matières

Introduction	2
À propos des avertissements.....	2
Avertissements généraux.....	2
Utilisez votre notice d'utilisation	3
Utilisation de votre Bosch Display Unit	4
Consignes de sécurité	4
Caractéristiques du produit Kiox 300	7
Montage.....	9
Fonctionnement.....	10
Entretien et service après-vente	13
Nettoyage et entretien.....	13
Service après-vente et conseil utilisateurs	13
Programme de recyclage des accus	13

Introduction

À propos des avertissements

Cette notice contient de nombreuses mentions de danger de type **DANGER, AVERTISSEMENT** et **ATTENTION** destinées à attirer l'attention sur les conséquences d'erreurs, dans le but d'utiliser, d'assembler, d'entretenir, de conserver et d'éliminer dans les règles et en toute sécurité les vélos électriques dotés d'un système eBike Bosch.

- Le symbole de sécurité et le mot **DANGER** signalent une situation à risque élevé, qui entraîne inévitablement des blessures graves, voire la mort, si elle n'est pas évitée.

- Le symbole de sécurité et le mot **AVERTISSEMENT** signalent une situation à risque élevé, pouvant entraîner des blessures graves, voire la mort, si elle n'est pas évitée.
- Le symbole de sécurité et le mot **ATTENTION** signalent une situation à risque modéré pouvant entraîner des blessures légères ou modérées si elle n'est pas évitée.

Avertissements généraux



Lisez tous les avertissements de sécurité et toutes les instructions. Le fait de ne pas respecter les avertissements et les instructions peut entraîner des blessures graves ou mortelles.

Conservez tous les avertissements et toutes les instructions pour pouvoir s'y reporter ultérieurement.

Le terme **accu** utilisé dans la présence notice d'utilisation désigne un accu/une batterie d'eBike Bosch d'origine.

- **Lisez TOUS les manuels et TOUTES les notices jointes avant d'utiliser votre vélo pour la première fois.** Votre système d'entraînement Bosch est livré avec d'autres manuels et documents fournis par le fabricant du vélo et des autres éléments. Ne pas lire ou ne pas comprendre les informations de sécurité peut entraîner des blessures graves ou mortelles.

⚠ AVERTISSEMENT

- **Cette notice contient d'importantes informations sur la sécurité, les performances et l'entretien.** Veuillez la lire avant d'utiliser votre vélo pour la première fois, et la conserver pour référence ul-

térieure. Vous pouvez également retrouver cette notice en ligne à l'adresse www.bosch-ebike.com.

- **Cette notice est destinée à être lue conjointement avec le manuel utilisateur séparé fourni avec votre vélo.** Assurez-vous de lire tous les documents fournis y compris les étiquettes apposées sur le produit avant la première utilisation.
- **Assumez la responsabilité de votre propre SÉCURITÉ.** En cas de question ou d'incompréhension, contactez votre revendeur ou le fabricant du vélo ou de l'élément.
- **Certains accessoires de l'eBike peuvent présenter un risque d'étouffement pour les petits enfants.** Conservez ces accessoires hors de portée des enfants.

⚠ ATTENTION

- **Le système d'entraînement Bosch alourdit votre vélo. Vous n'avez peut-être pas l'habitude de le soulever.** Évitez de vous blesser en utilisant des techniques de levage appropriées.

Utilisez votre notice d'utilisation

Nous nous réservons le droit d'apporter à tout moment des modifications au logiciel pour corriger des erreurs ou pour modifier les fonctionnalités décrites dans la présente notice.

Graphiques

Le vélo illustré dans cette notice peut être légèrement différent de votre vélo, mais il est suffisamment similaire pour vous permettre de comprendre nos instructions.

Les côtés DROIT et GAUCHE sont déterminés en se plaçant en situation, dans le sens de la marche du vélo. Lorsqu'une ligne en pointillé (-----) apparaît, l'élément auquel il est fait référence n'est pas visible.

Utilisation de votre Bosch Display Unit

Consignes de sécurité



Lisez attentivement toutes les instructions et consignes de sécurité. Le non-respect des instructions et consignes de sécurité peut provoquer un choc électrique, un incendie et/ou entraîner de graves blessures.

Conservez tous les avertissements et toutes les instructions pour pouvoir s’y reporter ultérieurement.

Le terme **accu** utilisé dans la présence notice d’utilisation désigne un accu/une batterie d’eBike Bosch d’origine.

- ▶ **Lisez et respectez les consignes de sécurité et les instructions de toutes les notices d’utilisation du système eBike, ainsi que la notice d’utilisation de votre eBike.**
- ▶ **N’essayez pas de fixer l’écran ou l’unité de commande tout en roulant !**
- ▶ **Ne vous laissez pas distraire par l’affichage sur l’ordinateur de bord.** Si vous ne vous concentrez pas pleinement sur les conditions de circulation, vous risquez d’être impliqué dans un accident. Pour changer de niveau d’assistance et effectuer des entrées dans votre ordinateur de bord, arrêtez-vous et saisissez les données souhaitées.
- ▶ **N’utilisez pas votre smartphone pendant que vous roulez.** Si vous ne vous concentrez pas pleinement sur la circulation routière, vous risquez d’être impliqué dans un accident. Arrêtez-vous avant de saisir des données.
- ▶ **Réglez la luminosité de l’écran de façon à pouvoir bien voir les informations importantes telles que la vitesse ou les symboles d’avertissement.** Une luminosité mal réglée peut conduire à des situations dangereuses.
- ▶ **N’ouvrez pas l’ordinateur de bord.** Le fait de l’ouvrir annule la garantie. Il risquerait par ailleurs d’être détérioré.
- ▶ **Ne vous servez pas de l’ordinateur de bord comme d’une poignée.** Si vous soulevez votre vélo en le saisissant par l’ordinateur de bord, ce dernier risque d’être endommagé irrémédiablement.
- ▶ **Ne posez pas le vélo à l’envers sur le guidon et la selle alors que l’ordinateur de bord ou son support sont fixés au guidon.** L’ordinateur de bord ou son support de fixation risqueraient de subir des dommages irréparables. Retirez l’ordinateur de bord avant de fixer le vélo dans un support de montage, pour éviter que l’ordinateur de bord tombe ou soit endommagé.
- ▶ **N’entrez aucune information et n’effectuez aucune sélection en roulant.** Toute interaction avec l’écran pendant la conduite peut provoquer des accidents graves voire mortels. Vous devez vous concentrer pleinement sur la route et sur la circulation routière et respecter le code de la route à tout instant.
- ▶ **La consultation d’autres applications mobiles, la lecture de messages pop-up/d’autres contenus ou le fait d’utiliser votre téléphone portable pendant que vous roulez risquent de détourner votre attention. Tout détournement de votre attention compromet sérieusement la sécurité et peut provoquer des accidents graves voire mortels. Pour exclure tout détournement d’attention et pouvoir rester pleinement concentré sur la conduite, la plupart des téléphones portables intègrent un mode « Ne pas déranger ». Il est vivement conseillé d’activer le mode « Ne pas déranger » pendant la conduite d’un vélo à assistance électrique.** Pour en savoir plus, consultez la notice d’utilisation de votre appareil. Lors de la conduite de votre vélo électrique, vous êtes tenu de

tenir compte des conditions de circulation et de respecter à tout moment le Code de la route et les règles de sécurité routière.

- ▶ **N'activez pas l'assistance à la poussée pendant que vous roulez.** N'utilisez l'assistance à la poussée que pour pousser votre vélo électrique.
- ▶ Veuillez noter que certaines lois nationales ou locales peuvent exiger que les vélos électriques de classe III soient équipés d'un indicateur de vitesse en état de marche qui affiche la vitesse en kilomètres par heure. Avant toute mise en fonctionnement ou utilisation du produit, les cyclistes doivent connaître et observer toutes les règles et réglementations applicables relatives au fonctionnement ou à l'utilisation des vélos de classe III déterminées par la juridiction concernée.

Consignes de sécurité en rapport avec la navigation

- ▶ **Ne planifiez pas d'itinéraires pendant que vous roulez. Arrêtez-vous pour entrer une nouvelle destination.** Si vous ne vous concentrez pas pleinement sur la circulation routière, vous risquez d'être impliqué dans un accident.
- ▶ **Modifiez votre itinéraire si la navigation vous suggère un trajet qui s'avère risqué ou dangereux compte tenu de vos compétences de conduite.** Laissez votre appareil de navigation vous proposer un autre itinéraire.
- ▶ **Respectez toujours tous les panneaux de signalisation, même si la navigation préconise un chemin particulier.** Le système de navigation peut ne pas tenir compte des chantiers ou des déviations temporaires.
- ▶ **N'utilisez pas la navigation dans des situations critiques ou incertaines en termes de sécurité (routes barrées, déviations, etc.).** Emportez toujours avec vous des cartes routières et aux moyens de communication supplémentaires.
- ▶ **Le système de navigation vous invite à effectuer une manœuvre illégale ou dangereuse sur le**

plan de la sécurité. Interrompez la navigation et sélectionnez un autre itinéraire.

- ▶ **Le système de navigation vous fait passer dans une zone à risque sur le plan de la sécurité.** Interrompez la navigation et sélectionnez un autre itinéraire.
- ▶ **Le système de navigation ne vous guide pas vers le service d'urgence le plus proche en cas de nécessité.** Envoyez un appel d'urgence et renseignez-vous sur le chemin le plus direct.
- ▶ **Le système de navigation indique une position incorrecte du vélo.** Informez-vous auprès d'une autre source sur votre position actuelle.
- ▶ **Le volume du système de navigation empêche le cycliste d'entendre le trafic environnant.** Assurez-vous de pouvoir à tout moment entendre les bruits de la circulation pour pouvoir réagir à temps aux dangers.
- ▶ LES SERVICES DE NAVIGATION FOURNIS SONT UNIQUEMENT DESTINÉS À LA PLANIFICATION D'ITINÉRAIRES. LES INFORMATIONS ÉMANANT DES SERVICES DE NAVIGATION PEUVENT DIFFÉRER DES CONDITIONS RÉELLES. LES UTILISATEURS DOIVENT FAIRE PREUVE DE DISCERNEMENT LORS DE L'UTILISATION DES SERVICES DE NAVIGATION ET S'ASSURER QUE L'ITINÉRAIRE PROPOSÉ PAR LES SERVICES DE NAVIGATION EST SÛR ET ADAPTÉ AUX VÉLOS ÉLECTRIQUES.

REMARQUE : Cet appareil est conforme à la partie 15 du règlement de la FCC. L'utilisation est autorisée sous réserve des deux conditions suivantes :

1. L'appareil ne doit pas produire de brouillage, et
2. l'utilisateur de l'appareil doit accepter tout brouillage radioélectrique subi, même si le brouillage est susceptible d'en compromettre le fonctionnement.

REMARQUE : Tous les changements et toutes les modifications apportés à cet équipement qui ne sont pas approuvés de façon explicite par Robert Bosch GmbH risquent d'annuler l'autorisation FCC d'utilisation de cet équipement.

REMARQUE : Cet équipement a été testé et déclaré conforme aux limites applicables aux appareils numériques de classe B, selon la section 15 de la réglementation FCC. Ces limites sont destinées à assurer une protection raisonnable contre les interférences nuisibles dans une installation résidentielle. Cet équipement génère, utilise et peut émettre de l'énergie radiofréquence qui, en cas d'installation et d'utilisation non conforme aux instructions, peut provoquer des interférences susceptibles de perturber les communications radio. Toutefois, rien ne garantit l'absence d'interférences dans une installation particulière. Si cet appareil produit des interférences perturbant la réception des programmes radio ou télévision (peut être mis en évidence en éteignant et rallumant l'appareil), il est conseillé à l'utilisateur d'essayer de réduire ces interférences en prenant l'une ou plusieurs des mesures suivantes :

- Modifier l'orientation ou l'emplacement de l'antenne réceptrice.
- Éloigner l'appareil du récepteur.
- Connecter l'appareil à une prise différente de celle dans laquelle est branché le récepteur.
- Demander conseil au fournisseur ou à un technicien spécialisé en radio/télévision.

CAN ICES3(B)/NMB3(B)

Responsible Party for North-America:

Bosch eBike Systems Americas

Robert Bosch LLC

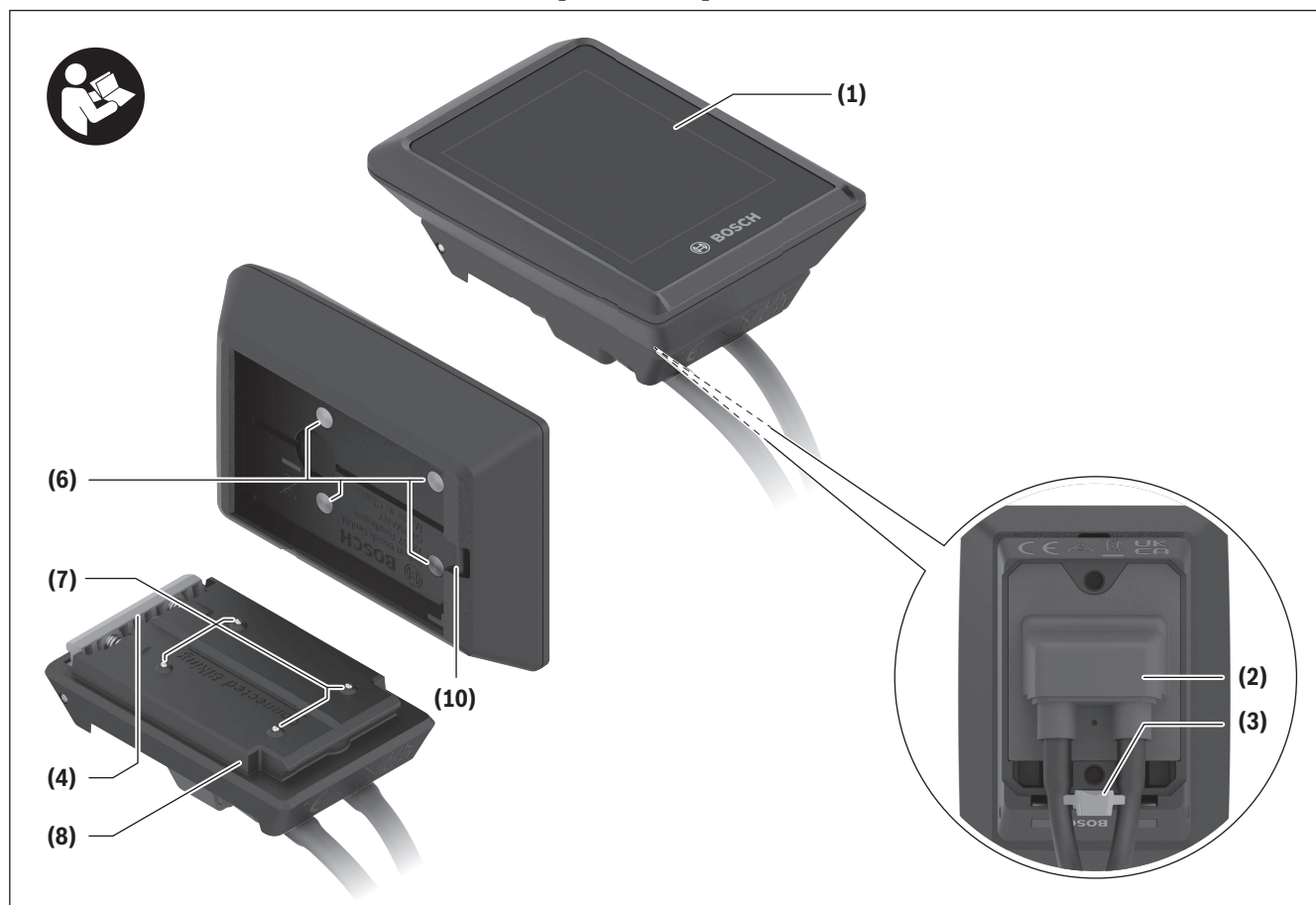
27211 Burbank, Foothill Ranch, CA 92610, USA,

www.bosch-ebike.com/us/

Remarque relative à la protection des données

Quand l'ordinateur de bord est envoyé au Service Bosch pour entretien ou réparation, il se peut que les données enregistrées en mémoire soient transmises à Bosch.

Caractéristiques du produit Kiox 300



- (1)** Écran
- (2)** Sortie de câbles
- (3)** Plaquette de sécurité
- (4)** Ergot de blocage
- (5)** Coque d'adaptation
- (6)** Contacts électriques de l'écran
- (7)** Contacts électriques du support
- (8)** Support de fixation d'écran
- (9)** Vis de fixation du support d'écran
- (10)** Barrette pour sangle de maintien^{a)}

a) La sangle de maintien n'est pas fournie.

Utilisation conforme

L'ordinateur de bord **Kiox 300** est destiné à l'affichage des données de parcours.

Pour pouvoir utiliser toutes les fonctions de l'ordinateur de bord **Kiox 300**, vous avez besoin d'un smartphone compatible équipé de l'appli **eBike Flow** (disponible dans l'App Store d'Apple ou dans le Google Play Store).

Caractéristiques techniques

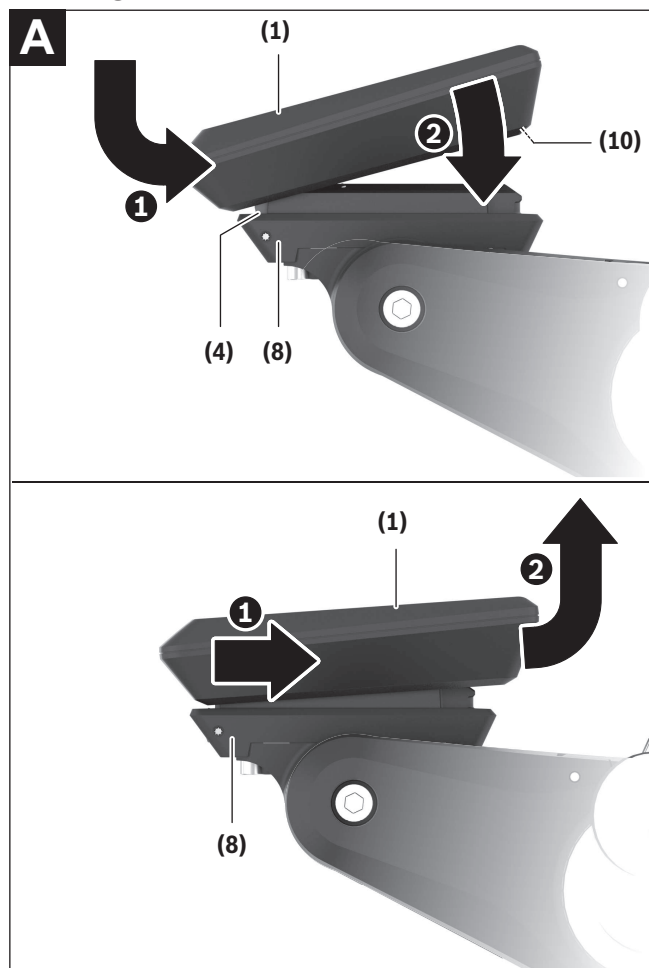
Ordinateur de bord	Kiox 300	
Code produit		BHU3600
Températures de fonctionnement ^{A)}	°F	+23 ... +104
Températures de stockage	°F	+50 ... +104
Indice de protection		IP54
Poids (approx.)	oz	1,13

A) Hors de cette plage de températures, l'écran est exposé à des dysfonctionnements.

Vous trouverez les informations de licence du produit à l'adresse Internet suivante : <https://www.bosch-ebike.com/licences>

Montage

Mise en place et retrait de l'écran (voir figure A)



Pour **mettre en place** l'écran (1), positionnez-le (1) sur le bord avant par rapport à la marche de son support de fixation (8), sur le crochet de blocage (4) ❶ et appuyez sur l'écran (1) en maintenant sa face arrière contre le support de fixation (8) ❷.

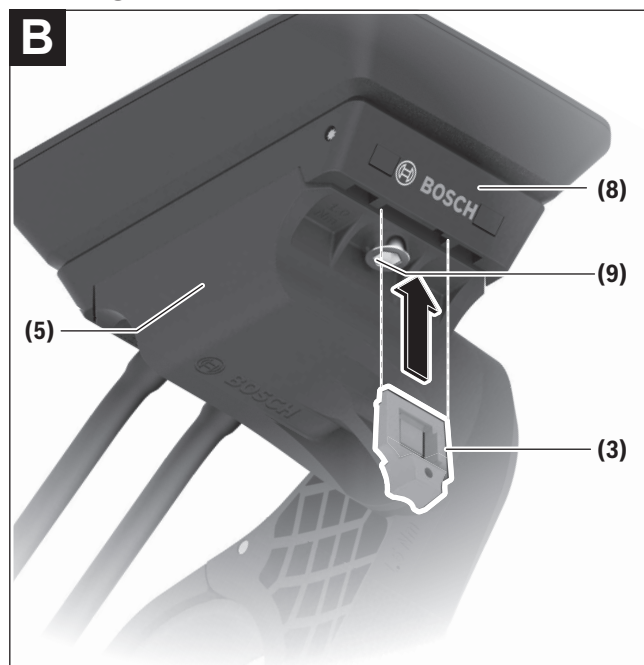
Pour **retirer** l'écran (1), tirez-le vers vous ❶ jusqu'à pouvoir le soulever ❷.

Une sangle de maintien peut être attachée à la barre (10).

Remarque : Le système eBike se désactive quand vous roulez à moins de 1,9 mph et quand vous retirez l'ordinateur de bord de son support de fixation.

Cela ne s'applique pas pour les vélos électriques avec assistance jusqu'à 28 mph.

Insertion de la plaque de fixation (voir figure B)



Remarque : Pour certaines formes/positions de montage du support de fixation d'écran, il peut arriver que la plaquette de fixation ne puisse pas être insérée. L'écran doit être en place.

Faites glisser par le bas la plaque de fixation (3) dans la coque d'adaptation (5) jusqu'à entendre le clic confirmant le verrouillage de la plaque (3).

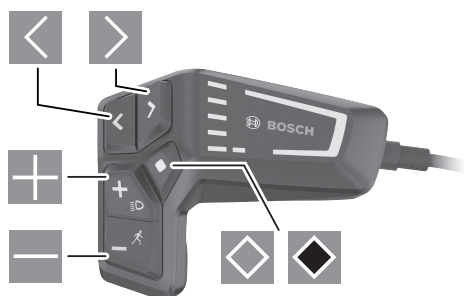
À partir de ce moment, vous ne pouvez plus soulever l'écran (1) du support d'écran (8) sans retirer son support de fixation (8) de la coque d'adaptation (5) en desserrant les deux vis de fixation (9).

Remarque : La plaque de fixation (3) n'est pas un dispositif antivol.

Fonctionnement

Une commande déportée gère le fonctionnement de l'écran et pilote l'affichage.

La vue d'ensemble ci-dessous indique la fonction des touches de la commande déportée pour les affichages sur l'écran. La touche de sélection remplit 2 fonctions selon la durée d'appui.

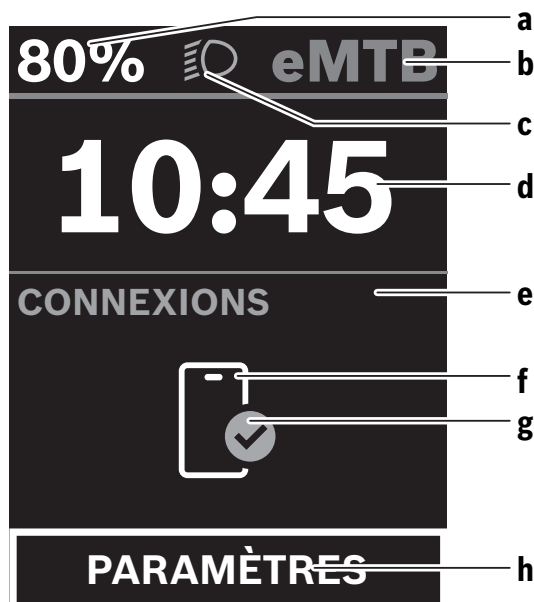


- ◀ Défilement vers la gauche
- ▶ Défilement vers la droite
- ⊕ Défilement vers le haut
- ⊖ Défilement vers le bas
- ◊ Passage au 2e niveau d'écran (appui court)
Ouverture du menu Paramètres dans le masque d'écran (appui court)
- ◊ Ouverture des options d'un masque d'écran
p. ex. **<Réinit.trajet>** (appui long > 1 s)

Remarque : Toutes les représentations écran et textes d'interface des pages suivantes se rapportent à la version initiale du logiciel au moment de sa mise sur le marché. Il peut arriver après une mise à jour que les représentations écran et/ou texte d'interface diffèrent quelque peu.

Masque d'état

Depuis le masque de départ, il est possible d'accéder au masque d'état en appuyant sur la touche ◊.



- a État de charge de la batterie
- b Niveau d'assistance
- c Éclairage du vélo
- d Heure
- e Indicateur de connexions
- f Connexion avec smartphone
- g État de la connexion
- h Menu Paramètres

Depuis ce masque écran, il est possible d'accéder au menu Paramètres en appuyant sur la touche ◊.

Remarque : Il n'est pas possible d'accéder au menu Paramètres pendant que vous roulez.

Le menu Paramètres **<PARAMÈTRES>** contient les options de menu suivantes :

– <Mon eBike>




Vous trouverez ici les options de menu suivantes :

- **<Réinitialiser la plage>**

Permet de réinitialiser la valeur de l'autonomie.

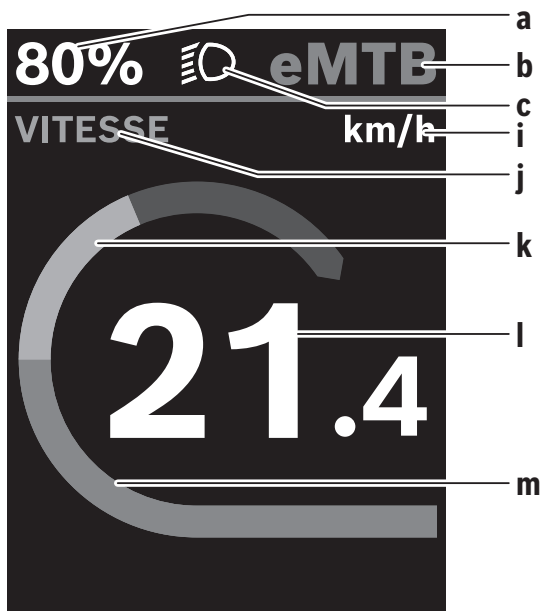
- **<Réinitialiser trajet autom.>**

Permet d'effectuer les réglages concernant la réinitialisation automatique.

- **<Circonf. roue>**
Permet d'ajuster la valeur de la circonférence de roue ou de revenir à la valeur standard.
 - **<Service>**
Affiche la prochaine échéance de service (si elle a été saisie par le revendeur de VAE).
 - **<Composants>**
Affiche les composants présents sur le vélo, avec leurs numéros de version.
 - **<Mon Kiox>**
Vous trouverez ici les options de menu suivantes :
 - **<Barre d'état>**
Permet de commuter entre **<Batterie>**, **<Heure>** ou **<Vitesse>**.
 - **<Langue>**
Permet de choisir la langue d'affichage dans une liste.
 - **<Unités>**
Permet de choisir le système d'unités (métrique ou impérial).
 - **<Heure>**
Permet de régler l'heure.
 - **<Format>**
Offre le choix entre 2 formats d'affichage de l'heure.
 - **<Luminosité>**
Permet de régler la luminosité de l'écran.
 - **<Réinitialiser paramètres>**
Permet de réinitialiser tous les réglages système aux valeurs par défaut.
 - L'option **<Informations>** contient des informations sur les contacts (**<Contact>**) et les certificats (**<Certificats>**).
- Pour quitter le menu Paramètres, appuyez sur la touche  ou sur la touche .
- La touche  permet de revenir au masque de départ.

Masque de départ

C'est ce masque écran qui s'affiche si vous n'avez sélectionné aucun autre masque écran avant d'éteindre l'ordinateur de bord la dernière fois.



- a** État de charge de la batterie
- b** Niveau d'assistance
- c** Éclairage du vélo
- i** Affichage unité de vitesse
- j** Titre de l'affichage
- k** Puissance de pédalage
- l** Vitesse de roulage
- m** Puissance du moteur

Les affichages **a** ... **c** forment la barre d'état, ils apparaissent dans chaque masque écran.

Vous pouvez à partir de ce masque sélectionner le masque d'état avec la touche ou accéder à d'autres masques avec la touche . Ces masques affichent des données statistiques, l'autonomie de la batterie et les valeurs moyennes.

Vous pouvez à partir de chacun de ces masques accéder à un second niveau de données en appuyant sur la touche .

Si un masque écran autre que le masque de départ est affiché lorsque vous éteignez l'ordinateur de bord,

le dernier écran apparaît à nouveau lorsque vous remettez l'ordinateur de bord en marche.

Un appui long sur la touche de sélection permet de réinitialiser les données statistiques de votre parcours ou de votre excursion (pas dans le masque écran **<PARAMÈTRES>**).

Entretien et service après-vente

Nettoyage et entretien

Ne nettoyez jamais les composants avec de l'eau sous pression.

Veillez à une bonne propreté de l'écran de votre ordinateur de bord. En cas de présence de saletés, la détection de luminosité ambiante risque de ne plus fonctionner.

Pour nettoyer votre ordinateur de bord, utilisez un chiffon doux, légèrement humide. Utilisez uniquement de l'eau et aucun produit nettoyant.

Faites contrôler votre système eBike au moins une fois par an sur le plan technique (partie mécanique, version du logiciel système, etc.).

Le concessionnaire de vélos peut en plus programmer un certain kilométrage et/ou intervalle de temps

comme échéance d'entretien. Quand le prochain entretien est arrivé à échéance, l'ordinateur de bord vous en informe à chaque mise en marche.

Pour le service après-vente ou les réparations sur votre vélo électrique, adressez-vous à un vélociste agréé.

► **Ne confiez les réparations qu'à un revendeur agréé.**

Remarque : Avant de vous rendre chez votre revendeur VAE pour effectuer une révision ou une maintenance, désactivez temporairement la fonction **<eBike Lock>** et l'**<eBike Alarm>** pour éviter toute fausse alerte.

Service après-vente et conseil utilisateurs

Pour toutes les questions concernant le système eBike et ses éléments, adressez-vous à un vélociste agréé.

Vous trouverez les données de contact de vélocistes agréés sur le site internet www.bosch-ebike.com.

Programme de recyclage des accus



L'unité d'entraînement, l'ordinateur de bord et son unité de commande, la batterie, le capteur de vitesse, les accessoires et l'emballage doivent être triés afin d'être recyclés de façon respectueuse de l'environnement.

Ne jetez pas les systèmes eBike et leurs éléments constitutifs dans les ordures ménagères !



Pour recycler votre batterie Bosch, appelez le 1.800.822.8837.

Índice

Introducción	2
Acerca de las advertencias	2
Advertencias generales	2
Utilización de sus Instrucciones de servicio	3
Operación de su unidad de visualización (Display Unit) de Bosch	4
Indicaciones de seguridad.....	4
Características del producto Kiox 300	7
Montaje.....	9
Manejo.....	10
Mantenimiento y servicio.....	12
Mantenimiento y limpieza	12
Servicio técnico y atención al cliente	12
Programa de reciclaje de baterías	12

Introducción

Acerca de las advertencias

Este manual contiene muchos **PELIGROS**, **ADVERTENCIAS**, y **PRECAUCIONES** sobre las consecuencias de una falta de uso, montaje, mantenimiento, almacenamiento, inspección y eliminación de una eBike equipada por Bosch de modo seguro.

- La combinación del símbolo de alerta de seguridad y la palabra **PELIGRO** indica una situación peligrosa que, si no se evita, ocasionará la muerte o lesiones graves.

- La combinación del símbolo de alerta de seguridad y la palabra **ADVERTENCIA** indica una situación peligrosa que, si no se evita, podría provocar la muerte o lesiones graves.
- La combinación del símbolo de alerta de seguridad y la palabra **PRECAUCIÓN** indica una situación peligrosa que, si no se evita, podría ocasionar lesiones leves o moderadas.

Advertencias generales



Lea íntegramente todas las indicaciones de seguridad e instrucciones. No seguir las advertencias e instrucciones siguientes puede provocar la muerte o lesiones graves.

Guarde todas las indicaciones de seguridad e instrucciones para posibles consultas futuras.

El término **batería** empleado en este manual del usuario se refiere a todas las baterías para eBike originales de Bosch.

- ▶ **Lea TODOS los manuales incluidos antes de montar en la bicicleta por primera vez.** Su sistema de accionamiento de Bosch incluye manuales y documentación adicionales proporcionados por el fabricante de la bicicleta y de otros componentes. No leer o desconocer la información de seguridad puede provocar la muerte o lesiones graves.

ADVERTENCIA

- ▶ **Este manual contiene información importante de seguridad, rendimiento y mantenimiento.** Léalo antes de usar su nueva bicicleta y guárdelo a modo de referencia. Puede encontrar el manual también en línea en www.bosch-ebike.com.
- ▶ **Este manual está previsto para su lectura junto con el manual de usuario aparte que venía con su bicicleta.** Antes de usar la bici por primera vez,

asegúrese de leer toda la documentación facilitada, incluidas las etiquetas que lleva el producto.

- ▶ **Por su propia SEGURIDAD, sea responsable.** Si tiene dudas o no entiende algo, consúltelo con su distribuidor o con el fabricante de la bicicleta o del componente.
- ▶ **Algunos accesorios de la eBike pueden suponer un peligro de atragantamiento para los niños pequeños.** Mantenga esos accesorios alejados de los niños.

PRECAUCIÓN

- ▶ **El sistema de accionamiento de Bosch incrementa el peso de su bicicleta, que puede que no esté acostumbrado a levantar.** Evite las lesiones; utilice técnicas de elevación adecuadas.

Utilización de sus Instrucciones de servicio

Además de las funciones aquí representadas, puede ser que se introduzcan en cualquier momento modificaciones de software para la eliminación de errores y modificaciones de funciones.

Gráficos

La bicicleta que se muestra en este manual puede diferir ligeramente de la suya; no obstante, las similitudes son suficientes para ayudarle a entender nuestras instrucciones.

Los lados DERECHO e IZQUIERDO se indican mirando en el sentido que la bicicleta tendrá al circular hacia delante. Si ve una línea discontinua (-----), el elemento al que se refiere está oculto a la vista.

Operación de su unidad de visualización (Display Unit) de Bosch

Indicaciones de seguridad



Lea íntegramente todas las indicaciones de seguridad e instrucciones. Las faltas de observación de las indicaciones de seguridad y de las instrucciones pueden causar descargas eléctricas, incendios y/o lesiones graves.

Guarde todas las indicaciones de seguridad e instrucciones para posibles consultas futuras.

El término **batería** empleado en este manual del usuario se refiere a todas las baterías para eBike originales de Bosch.

- ▶ **Lea y siga todas las indicaciones de seguridad e instrucciones de todos los manuales de uso del sistema eBike, así como las instrucciones de uso de su eBike.**
- ▶ **¡No intente fijar la pantalla o la unidad de mando durante la marcha!**
- ▶ **No permita que las indicaciones del ordenador de a bordo le distraigan.** Si no centra su atención exclusivamente en el tráfico, se arriesga a verse implicado en un accidente. Si desea introducir en el ordenador de a bordo datos que van más allá del cambio de nivel de asistencia, deténgase para efectuar dichas entradas.
- ▶ **No manipule su teléfono inteligente mientras conduce.** Si no centra su atención exclusivamente en el tráfico, se arriesga a verse implicado en un accidente. Deténgase para ello y sólo entonces introduzca los datos correspondientes.
- ▶ **Ajuste la luminosidad de la pantalla de modo que pueda percibir adecuadamente las informaciones importantes, como la velocidad o los símbolos de advertencia.** Una luminosidad de la pantalla incorrectamente ajustada puede llevar a situaciones peligrosas.

- ▶ **No intente abrir el ordenador de a bordo.** El ordenador de a bordo se puede destruir al abrirlo y así se pierde el derecho de garantía.
- ▶ **No utilice el ordenador de a bordo como asidero.** Si se levanta la eBike por el ordenador de a bordo, este puede dañarse irreparablemente.
- ▶ **No coloque la bicicleta de cabeza en el manillar y el sillín, cuando el ordenador de a bordo o su soporte sobresalga del manillar.** El ordenador de a bordo o el soporte pueden dañarse irreparablemente. También retire el ordenador de a bordo antes de sujetar la bicicleta en un soporte de montaje, para evitar que el ordenador de a bordo se caiga o se dañe.
- ▶ **No introduzca información o haga selecciones durante la circulación.** La interacción con la pantalla mientras se conduce puede provocar accidentes que causen lesiones graves o la muerte. Debe observar las condiciones de la carretera y el tráfico, y cumplir con las leyes de tráfico en todo momento.
- ▶ **El acceso a otras aplicaciones, la lectura de mensajes emergentes u otros contenidos, o el uso del dispositivo móvil mientras se utiliza una eBike pueden causar distracciones. La conducción distraída es un grave problema de seguridad y puede provocar accidentes que causen lesiones graves o la muerte. Para evitar la distracción al conducir, la mayoría de los dispositivos móviles vienen equipados con un modo "No molestar". El modo "No molestar" debe ser usado mientras se maneja una eBike.** Por favor, consulte las instrucciones específicas de su dispositivo para obtener más información. Usted, como conductor de la eBike, es totalmente responsable de garantizar que en todo momento preste atención a

las condiciones de la carretera y cumpla con las leyes de tráfico.

- ▶ **No active la función de asistencia de empuje mientras se conduce la bicicleta.** Sólo use la función de asistencia de empuje al empujar la eBike.
- ▶ Por favor, tenga en cuenta que algunas leyes estatales o locales pueden exigir que las bicicletas eléctricas (eBikes) de clase III estén equipadas con un velocímetro que indique la velocidad en millas por hora. Los ciclistas deben conocer y seguir todas las normas y reglamentos aplicables relacionados con el funcionamiento o el uso de las eBikes de clase III en cualquier jurisdicción antes de operar o utilizar este producto.

Advertencias de seguridad relativas a la navegación

- ▶ **No planifique rutas mientras conduce. Deténgase e ingrese un nuevo destino solo cuando está parado.** Si no centra su atención exclusivamente en el tráfico, se arriesga a verse implicado en un accidente.
 - ▶ **Interrumpa su viaje cuando el sistema de navegación le proponga una ruta que resulte arriesgada o peligrosa en función de sus competencias de conducción.** Permita que el dispositivo de navegación le proponga una ruta alternativa.
 - ▶ **No ignore ninguna señal de tráfico aunque el dispositivo de navegación le indique un camino determinado.** El sistema de navegación no puede saber si hay obras o desvíos temporales en un lugar.
 - ▶ **No use la navegación en situaciones críticas de seguridad o poco claras (cierres de carreteras, desvíos, etc.).** Lleve siempre consigo mapas y medios de comunicación.
- ▶ **El sistema de navegación le indica que haga una maniobra insegura o ilegal.** Cancele el sistema de navegación y elija una ruta alternativa.
 - ▶ **El sistema de navegación lo guía hacia un área insegura.** Cancele el sistema de navegación y elija una ruta alternativa.
 - ▶ **El sistema de navegación no lo guía a la instalación de emergencia más cercana en caso de necesidad.** Haga una llamada de emergencia y pregunte cuál es la ruta más rápida disponible.
 - ▶ **El sistema de navegación indica incorrectamente la ubicación de la bicicleta.** Utilice una fuente de información secundaria para determinar dónde se encuentra actualmente.
 - ▶ **El volumen del sistema de navegación evita que se escuche el tráfico circundante mientras se conduce.** Asegúrese de poder percibir en todo momento los ruidos del tráfico en las inmediaciones, para poder reaccionar adecuadamente a los posibles peligros.
 - ▶ LOS SERVICIOS DE NAVEGACIÓN SE OFRECEN ÚNICAMENTE PARA PROPÓSITOS DE PLANIFICACIÓN. LA INFORMACIÓN DE LOS SERVICIOS DE NAVEGACIÓN PUEDE DIFERIR DE LAS CONDICIONES ACTUALES. EL USUARIO DEBE EJERCITAR SU JUICIO INDEPENDIENTE CUANDO UTILICE LOS SERVICIOS DE NAVEGACIÓN PARA ASEGURARSE DE QUE LA RUTA PROPORCIONADA POR LOS SERVICIOS DE NAVEGACIÓN ES SEGURA Y APROPIADA PARA EL USO DE LA EBIKE.

INDICACIÓN: Este dispositivo cumple con la Parte 15 de las Normas de la FCC. La operación está sujeta a las siguientes dos condiciones:

1. Este dispositivo no debe causar interferencias dañinas, y
2. este dispositivo debe aceptar cualquier interferencia que se reciba, incluida la interferencia que pueda causar un funcionamiento no deseado.

INDICACIÓN: Los cambios o modificaciones realizados en este equipo no aprobados expresamente por

Robert Bosch GmbH pueden anular la autorización de la FCC para operar este equipo.

NOTA: Este equipo ha sido probado y cumple con los límites para un dispositivo digital de Clase B, de conformidad con la Parte 15 de las Normas de la FCC. Estos límites están diseñados para proporcionar una protección razonable contra interferencias perjudiciales en una instalación residencial. Este equipo genera, utiliza y puede emitir energía de radiofrecuencia y, si no se instala y utiliza de acuerdo con las instrucciones, puede causar interferencias perjudiciales en las comunicaciones de radio. Sin embargo, no existe garantía de que no se produzcan interferencias en una instalación en particular. Si este equipo causa interferencias perjudiciales en la recepción de radio o televisión, lo cual puede determinarse encendiendo y apagando el equipo, se recomienda al usuario que intente corregir la interferencia mediante una o más de una de las siguientes medidas:

- Reorientar o reubicar la antena receptora.
- Aumente la separación entre el equipo y el receptor.
- Conecte el equipo a una toma de corriente en un circuito diferente al que está conectado el receptor.
- Diríjase al distribuidor o a un técnico de radio/TV experimentado para obtener ayuda.

CAN ICES3(B)/NMB3(B)

Responsible Party for North-America:

Bosch eBike Systems Americas

Robert Bosch LLC

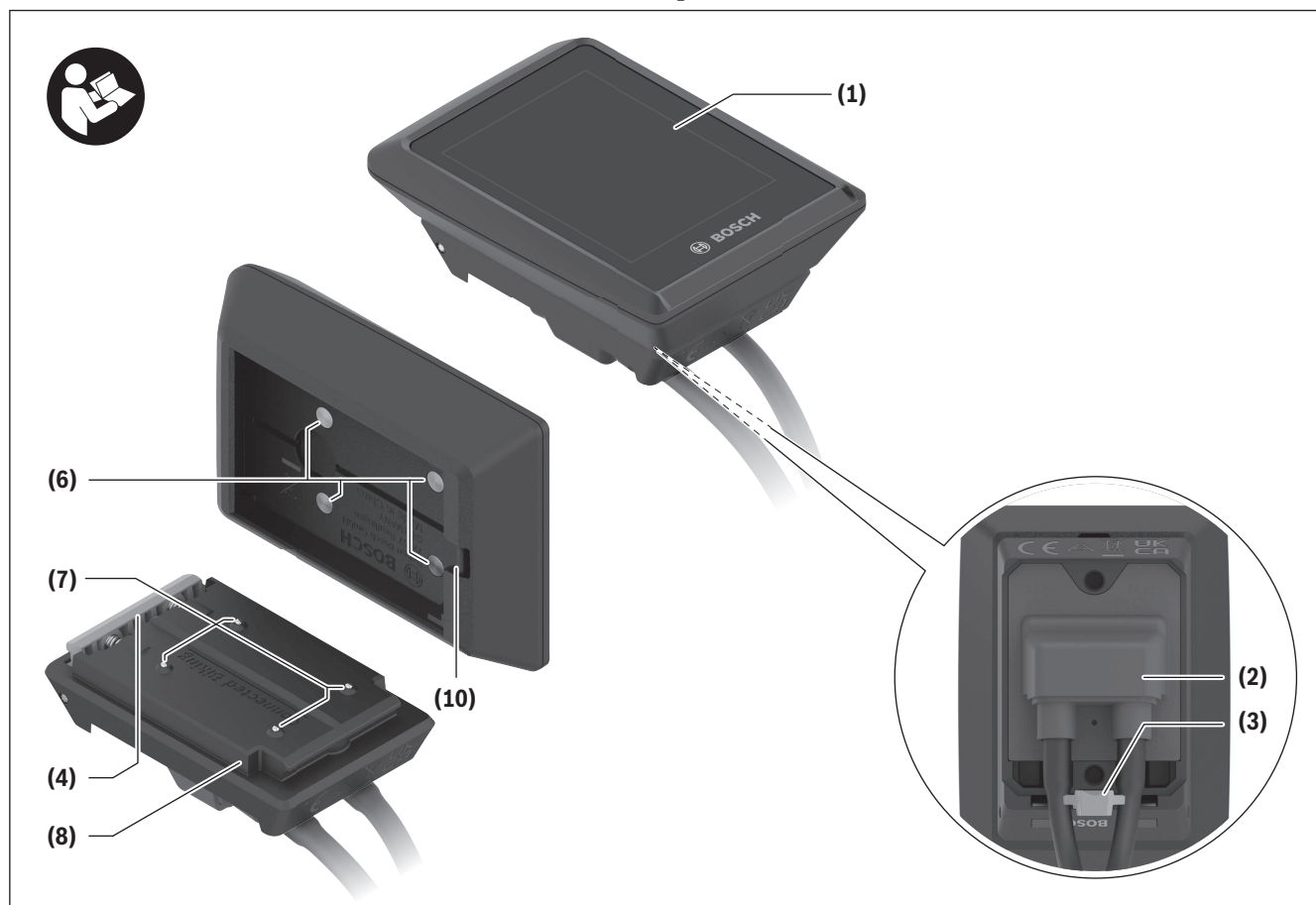
27211 Burbank, Foothill Ranch, CA 92610, USA,

www.bosch-ebike.com/us/

Indicación de protección de datos

Si en caso de servicio se envía el ordenador de a bordo al servicio Bosch, es posible transferir a Bosch los datos guardados en el ordenador de a bordo.

Características del producto Kiox 300



- (1)** Pantalla
- (2)** Salida de cables delantera
- (3)** Placa de seguridad
- (4)** Gancho de encaje
- (5)** Cubeta adaptadora
- (6)** Contactos de la pantalla
- (7)** Contactos del soporte
- (8)** Soporte de la pantalla
- (9)** Tornillo de fijación del soporte de la pantalla
- (10)** Puente para cinta de sujeción^{a)}

a) La cinta de sujeción no se incluye en el volumen de suministro.

Utilización reglamentaria

El ordenador de a bordo **Kiox 300** se ha previsto para la indicación de datos de marcha.

Para poder utilizar el ordenador de a bordo **Kiox 300** en toda su plenitud, se necesita un teléfono inteligente compatible con la aplicación **eBike Flow** (que puede adquirirse en la App Store de Apple o en la Play Store de Google).

Datos técnicos

Ordenador de a bordo		Kiox 300
Código de producto		BHU3600
Temperatura de servicio ^{A)}	°F	+23 ... +104
Temperatura de almacenamiento	°F	+50 ... +104
Grado de protección		IP54
Peso, aprox.	oz	1,13

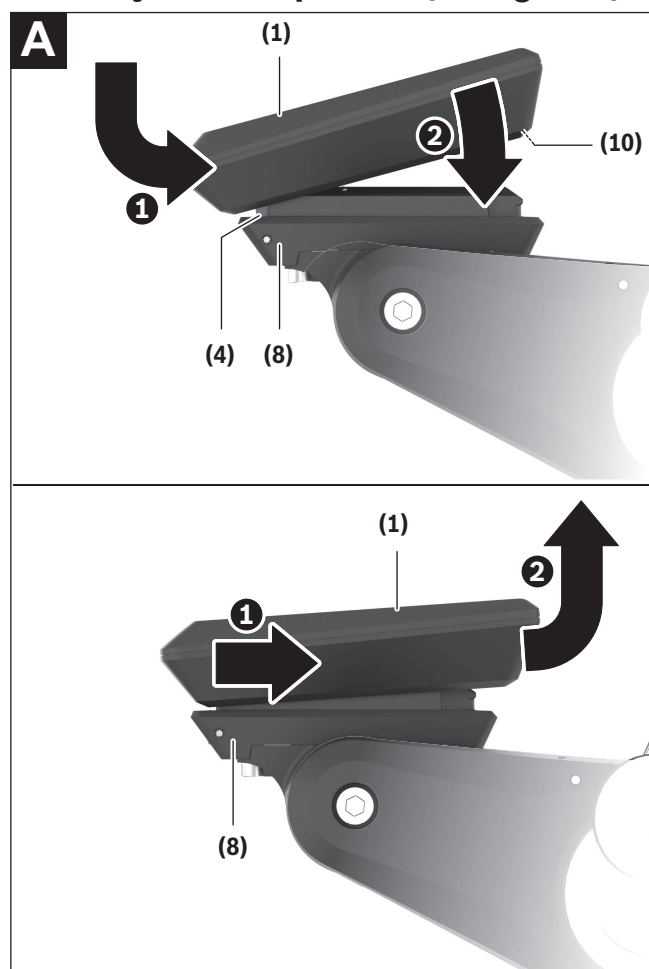
A) Fuera de este margen de temperatura, pueden producirse fallos de funcionamiento en el indicador.

Las informaciones sobre la licencia del producto están disponibles en la siguiente dirección de internet:

<https://www.bosch-ebike.com/licences>

Montaje

Colocar y retirar la pantalla (ver figura A)

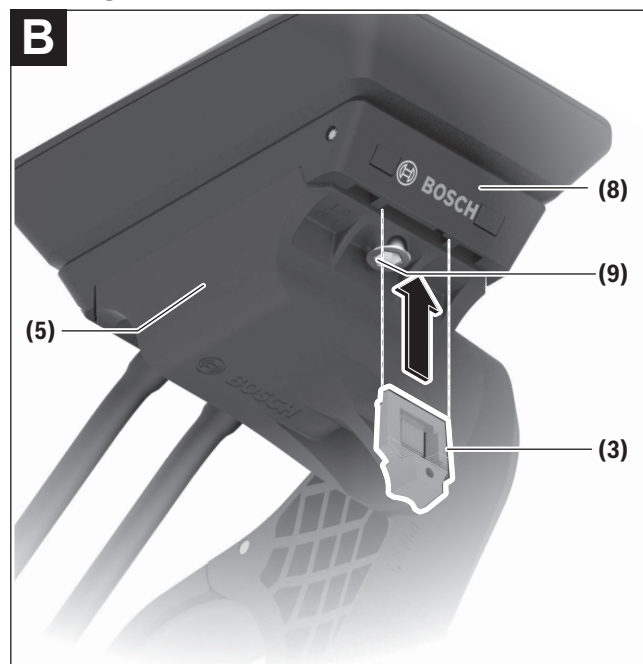


Para **colocar** la pantalla **(1)**, coloque la pantalla **(1)** en el borde delantero del soporte de la pantalla **(8)**, visto en el sentido de la marcha, en el gancho de encaje **(4)** ❶ y presione la parte trasera de la pantalla **(1)** sobre el soporte de la pantalla **(8)** ❷.

Para **retirar** la pantalla **(1)**, tire la pantalla **(1)** hacia usted ❶, hasta que pueda levantar la pantalla **(1)** ❷. En el puente **(10)** se puede fijar una cinta de sujeción.

Indicación: El eBike-System se desconecta cuando se circula a menos de 1,9 mph y se retira el ordenador de a bordo del soporte. Esto no rige para eBikes con una asistencia de hasta 28 mph.

Montaje de la placa de seguridad (ver figura B)



Indicación: Dependiendo de la construcción/instalación del soporte de la pantalla, puede que no sea posible insertar la placa de seguridad. En ello, la pantalla debe estar montada.

Empuje la placa de seguridad **(3)** desde abajo en la cubeta adaptadora **(5)**, hasta que la placa de seguridad **(3)** encastre de forma audible.

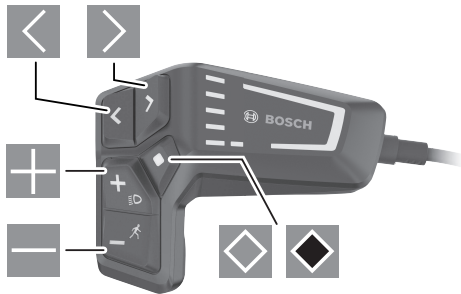
A partir de este momento, ya no puede levantar la pantalla **(1)** del soporte de la pantalla **(8)**, sin retirar el soporte de la pantalla **(8)** de la cubeta adaptadora **(5)** aflojando ambos tornillos de fijación **(9)**.

Indicación: La placa de seguridad **(3)** no es un seguro antirrobo.

Manejo

El manejo de la pantalla y el control de los indicadores se realizan a través de una unidad de mando.

El significado de las teclas de la unidad de mando para las indicaciones de la pantalla se encuentra en el siguiente resumen. La tecla de selección tiene 2 funciones según la duración de la pulsación.



- ◀ hacia la izquierda hojear
- ▶ hacia la derecha hojear
- ⊕ hacia arriba hojear
- ⊖ hacia abajo hojear
- ◊ cambiar al 2º nivel de pantalla (pulsación breve)
abrir el menú de configuración en la pantalla de estado (pulsación breve)
- ◻ Abrir las opciones relacionadas con la pantalla
p. ej. **<Rstab trayecto>** (pulsación larga > 1 s)

Indicación: Todas las representaciones y los textos de las páginas siguientes corresponden al estado de lanzamiento del software. Tras una actualización de software puede ser, que se modifiquen ligeramente las representaciones de la superficie y/o los textos de la superficie.

Pantalla de estado

Desde la pantalla de inicio se puede acceder a la pantalla de estado pulsando la tecla ◻.



- a Estado de carga del acumulador
- b Modo de asistencia
- c Iluminación de la bicicleta
- d Hora
- e Indicador de conexión
- f Conexión con el teléfono inteligente
- g Estado de conexión
- h Menú de configuración

Desde esta pantalla, puede acceder al menú de configuración pulsando la tecla ◻.

Indicación: No se puede acceder al menú de configuración mientras se conduce.

El menú de configuración **<AJUSTES>** contiene las siguientes opciones de menú:

– **<Mi eBike>**

Aquí encontrará las siguientes opciones de menú.

▪ **<Restablecer rango>**

Aquí se puede restablecer el valor de la autonomía.

▪ **<Restablecer trayecto automático>**

Aquí se pueden realizar los ajustes para la reposición automática.

- **<Tamaño llanta>**

Aquí se puede adaptar el valor del perímetro de la rueda o restablecer al ajuste estándar.

- **<Servicio>**

Aquí se muestra la próxima fecha de servicio, siempre que haya sido fijada por el distribuidor de bicicletas.

- **<Componentes>**

Aquí se muestran los componentes utilizados con sus números de versión.

- **<Mi Kiox>**

Aquí encontrará las siguientes opciones de menú.

- **<Barra de estado>**

Aquí puede seleccionar entre las indicaciones de **<Batería>**, **<Hora>** o **<Velocidad>**.

- **<Idioma>**

Aquí puede elegir el idioma de visualización preferido de una selección.

- **<Unidades>**

Aquí puede elegir entre el sistema métrico o el imperial de medidas.

- **<Hora>**

Aquí puede ajustar la hora.

- **<Formato>**

Aquí puede elegir entre 2 formatos de hora.


- **<Brillo>**

Aquí puede ajustar la luminosidad de la pantalla.

- **<Restablecer configuración>**

Aquí puede restablecer todas las configuraciones del sistema a los valores estándar.

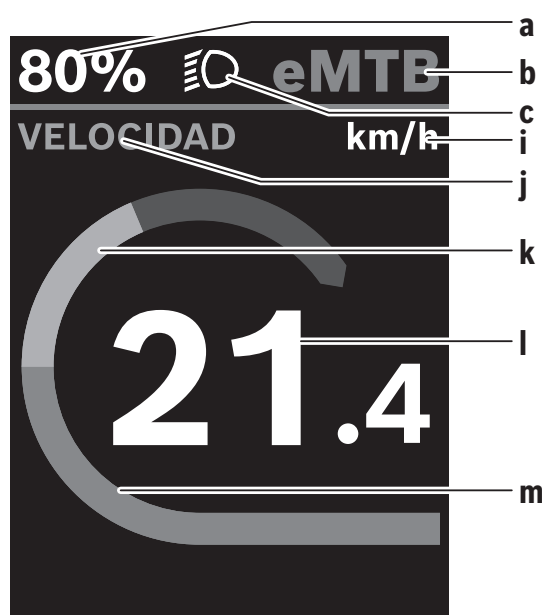
- En la opción de menú **<Información>** encontrará información sobre los contactos (**<Contacto>**) y los certificados (**<Certificados>**).

El menú de configuración se abandona pulsando la tecla  o la tecla .

Con la tecla  se accede a la pantalla de inicio.



Pantalla de inicio


Si no ha seleccionado ninguna otra pantalla antes de la última desconexión, se le visualizará esta pantalla.




- a** Estado de carga del acumulador
- b** Modo de asistencia
- c** Iluminación de la bicicleta
- i** Indicador de la unidad de velocidad
- j** Título de la indicación
- k** Rendimiento propio
- l** Velocidad
- m** Potencia del motor

Los indicadores **a** ... **c** forman la barra de estado y se muestran en cada pantalla.

Desde esta pantalla, puede utilizar la tecla  para cambiar a la pantalla de estado o utilizar la tecla  para acceder a otras pantallas. Estas pantallas se muestran los datos estadísticos, la autonomía del acumulador y los valores medios.

Desde cada una de estas pantallas se puede acceder a un segundo nivel de datos pulsando la tecla .

Si el usuario se encuentra en una pantalla distinta a la de inicio al desconectar, al volver a conectar la eBike se mostrará la última pantalla visualizada.

Pulsando la tecla de selección  durante un tiempo prolongado, puede restablecer los datos estadísticos de su viaje o excursión (no en la pantalla **<AJUSTES>**).

Mantenimiento y servicio

Mantenimiento y limpieza

Todos los componentes no deben limpiarse con agua a presión.

Mantenga limpia la pantalla de su ordenador de a bordo. La suciedad puede afectar a la luminosidad de la pantalla.

Para limpiar el ordenador de a bordo, utilice un paño suave, humedecido únicamente con agua. No utilice productos de limpieza.

Deje revisar su sistema eBike al menos una vez al año (entre otros el sistema mecánico, la actualización del software del sistema).

Adicionalmente, el distribuidor de bicicletas puede tomar como base un kilometraje y/o un intervalo de

tiempo para fijar la fecha del servicio. En ese caso, el ordenador de a bordo le mostrará el vencimiento de la fecha de mantenimiento al encender el ordenador. Para el servicio o las reparaciones de la eBike, contáctese con un distribuidor de bicicletas autorizado.

► **Encargue todas las reparaciones únicamente a un distribuidor de bicicletas autorizado.**

Indicación: En caso de llevar la eBike a un distribuidor de bicicletas para su mantenimiento, se recomienda desactivar temporalmente **<eBike Lock>** y **<eBike Alarm>**, para evitar falsas alarmas.

Servicio técnico y atención al cliente

En caso de cualquier consulta sobre el sistema eBike y sus componentes, diríjase a un distribuidor de bicicletas autorizado.

Los detalles de contacto de los distribuidores de bicicletas autorizados se pueden encontrar en el sitio web www.bosch-ebike.com.

Programa de reciclaje de baterías



La unidad de accionamiento, el ordenador de a bordo incl. la unidad de mando, el acumulador, el sensor de velocidad, los accesorios y los embalajes deben reciclarse de forma respetuosa con el medio ambiente.

¡No arroje eBikes y sus componentes a la basura!



Puede reciclar su paquete de baterías de Bosch llamando al 1.800.822.8837.