

Cette notice contient d'importantes informations sur la sécurité, les performances et l'entretien. Lisez-les et comprenez-les ainsi que les informations fournies par le fabricant de votre vélo avant d'utiliser le produit, et conservez-les pour référence ultérieure.

## Owner's Manual – The Bosch Drive System LED Remote

BRC3600



**Robert Bosch GmbH**  
72757 Reutlingen  
Germany

[www.bosch-ebike.com](http://www.bosch-ebike.com)

0 275 U07 3RL (2021.08) T / 43

**Este manual contiene información importante de seguridad, rendimiento y mantenimiento. Léalo y asegúrese de entenderlo junto con la información que le ha facilitado el fabricante de su bicicleta antes de usar el producto; guárdelo a modo de referencia.**

**en** Original operating instructions  
**fr** Notice d'utilisation d'origine  
**es** Instrucciones de servicio originales

**This manual contains important safety, performance and service information. Read and understand it along with the information provided to you by your bicycle manufacturer before using the product, and keep it for reference.**



# Table of contents

Introduction .....	2
About Warnings .....	2
General Warnings .....	2
Using your Manual .....	3
Operating the Control Unit .....	4
Safety instructions .....	4
Product description and specifications .....	7
Operation .....	8
Maintenance/cleaning .....	11
Troubleshooting .....	12
Less critical errors .....	12
Critical errors .....	12
Battery Recycling Program .....	13

# Introduction

## About Warnings

This manual contains many **DANGER**, **WARNING**, and **CAUTION** indicators concerning the consequences of failure to use, assemble, maintain, store, inspect and dispose of a Bosch-equipped eBike in a safe manner.

- The combination of the safety alert symbol and the word **DANGER** indicates a hazardous situation that, if not avoided, will result in death or serious injury.
- The combination of the safety alert symbol and the word **WARNING** indicates a hazardous situation that, if not avoided, could result in death or serious injury.
- The combination of the safety alert symbol and the word **CAUTION** indicates a hazardous situation that, if not avoided, could result in minor or moderate injury.

## General Warnings



**Read all safety warnings and all instructions.** Failure to follow the warnings and instructions may result in death or serious injury.

### Save all safety warnings and instructions for future reference.

The term **battery pack** used in these operating instructions refers to all original Bosch eBike battery packs.

#### **WARNING**

- ▶ **This manual contains important safety, performance and service information.** Read it before you take the first ride on your new bicycle, and keep it for reference. The manual can also be found online at [www.bosch-ebike.com](http://www.bosch-ebike.com).
- ▶ **This manual is intended to be read together with the separate user manual provided with your bicycle.** Be sure to read all provided documents including labels on the product before your first ride.
- ▶ **Read ALL accompanying manuals before riding the bike for the first time.** Your Bosch Drive System comes with additional manuals and documents provided by the manufacturer of the bicycle and other components. Failure to read and understand safety information can result in death or serious injury.

- ▶ **Take responsibility for your own SAFETY.** If you have any questions or do not understand something, consult with your dealer or the bicycle or component manufacturer.
- ▶ **Some eBike accessories may present a choking hazard to small children.** Keep these accessories away from children.

#### **CAUTION**

- ▶ **The Bosch Drive System adds weight to your bicycle which you may not be used to lift.** Avoid injury, use proper lifting techniques.

## Using your Manual

In addition to the functions outlined here, changes to software relating to troubleshooting and functional modifications may be introduced at any time.

### Graphics

The bicycle shown in this manual may differ slightly from your bicycle, but will be similar enough to help you understand our instructions.

RIGHT-HAND and LEFT-HAND sides are determined by facing in the direction the bicycle will travel when going forward. When you see a broken line (-----), the item referred to is hidden from view.

# Operating the Control Unit

## Safety instructions



**Read all the safety information and instructions.** Failure to observe the safety information and follow instructions may result in electric shock, fire and/or serious injury.

### Save all safety warnings and instructions for future reference.

The term **battery pack** used in these operating instructions refers to all original Bosch eBike battery packs.

- ▶ **Do not attempt to fix display or remote control while riding!**
- ▶ **Do not activate push assistance function while riding on the bike.** Only use push assistance function when pushing the eBike.
- ▶ **The push assistance function must only be used when pushing the eBike.** There is a risk of injury if the wheels of the eBike are not in contact with the ground while using the push assistance.
- ▶ **When the push assistance is activated, the pedals may turn at the same time.** When the push assistance function is activated, make sure that there is enough space between your legs and the turning pedals to avoid the risk of injury.
- ▶ **Do not stand your bicycle upside down on its handlebars and saddle if the control unit or its holder protrude from the handlebars.** This may irreparably damage the control unit or the holder.
- ▶ **Do not connect a charger to the eBike system if the eBike system displays a critical error.** This may result in damage to your battery. The battery may catch fire, thereby resulting in serious burns and other injuries.
- ▶ **The control unit features a wireless interface. Local operating restrictions, e.g. in airplanes or hospitals, must be adhered to.**
- ▶ **Caution!** When using the control unit with *Bluetooth*<sup>®</sup>, this may cause interference that affects other devices and systems, airplanes and medical devices (e.g. pacemakers, hearing aids). Similarly, the possibility that this may cause damage to humans and animals in the immediate vicinity cannot be completely excluded. Do not use the control unit with *Bluetooth*<sup>®</sup> in the vicinity of medical devices, gas stations, chemical plants, areas with a potentially explosive atmosphere or on blast sites. Do not use the control unit with *Bluetooth*<sup>®</sup> in airplanes. Avoid using the device in close proximity to your body over an extended period of time.
- ▶ The *Bluetooth*<sup>®</sup> word mark and logos are registered trademarks owned by Bluetooth SIG, Inc. and any use of such marks by Bosch eBike Systems is under licence.
- ▶ **Observe all national regulations which set out the approved use of eBikes.**
- ▶ **Read and observe the safety warnings and instructions in all operating instructions of the eBike system and your eBike.**

### Safety warnings for charging the battery inside the remote control

- ▶ **Only charge the remote control with USB power source (5 V, 600 mA max) and USB cable rated at least 600 mA.** Using USB power source or USB cable not appropriately rated for the application may result in fire, explosion or personal injury.
- ▶ **Charge the remote control in temperatures above +32 degrees F (0 degrees C) and below +104 degrees F (40 degrees C). Store remote control in locations where temperatures will not exceed 104 degrees F (40 degrees C).** This is important to prevent serious damage to the battery in the remote control.

- ▶ **Do not expose remote control to fire or excessive temperature.** Exposure to fire or temperature above 212 °F (100 °C) may cause explosion.
- ▶ **Do not recharge the remote control (via USB port) in damp or wet environment.** Water entering remote control may result in electric shock or fire.
- ▶ **Never submerge remote control in fluid of any kind or allow fluid to enter them.** Corrosive or conductive fluid (such as seawater or industrial chemical or bleach containing products, etc.) can cause short circuit which may result in fire, personal injury and property damage.
- ▶ **Battery leakage may occur under extreme usage or temperature conditions. Avoid contact with skin and eyes.** The battery liquid is caustic and could cause chemical burns to tissues. If liquid comes in contact with skin, wash quickly with soap and water. If the liquid contacts your eyes, immediately flush eyes with water for a minimum of 15 minutes and seek medical attention.
- ▶ **Before each use, check the remote control, cable and plug.** If damage is detected, do not use the remote control. Damaged remote control, charging cables and plugs increase the risk of a fire, explosion and personal injury.
- ▶ **Do not disassemble remote control.** No user serviceable part inside. Incorrect reassembly or damage may result in fire or explosion.

**NOTICE:** This device complies with part 15 of the FCC Rules. Operation is subject to the following two conditions:

1. This device must not cause harmful interference, and
2. this device must accept any interference received, including interference that may cause undesired operation.

**NOTICE:** Changes or modifications made to this equipment not expressly approved by the Robert Bosch GmbH may void the FCC authorization to operate this equipment.

**NOTE:** This equipment has been tested and found to comply with the limits for a Class B digital device, pursuant to Part 15 of the FCC Rules. These limits are designed to provide reasonable protection against harmful interference in a residential installation. This equipment generates, uses and can radiate radio frequency energy and, if not installed and used in accordance with the instructions, may cause harmful interference to radio communications. However, there is no guarantee that interference will not occur in a particular installation. If this equipment does cause harmful interference to radio or television reception, which can be determined by turning the equipment off and on, the user is encouraged to try to correct the interference by one or more of the following measures:

- Reorient or relocate the receiving antenna.
- Increase the separation between the equipment and receiver.
- Connect the equipment into an outlet on a circuit different from that to which the receiver is connected.
- Consult the dealer or an experienced radio/TV technician for help.

**Radiofrequency radiation exposure Information:**

The radiated output power of the device is far below the FCC radio frequency exposure limits. Nevertheless, the device shall be used in such a manner that the potential for human contact during normal operation is minimized.

This equipment complies with FCC radiation exposure limits set forth for an uncontrolled environment. This equipment should be installed and operated with minimum distance of 20 cm between the radiator and your body. This transmitter must not be co-located or operating in conjunction with any other antenna or transmitter.

**ISED Notice (Canada)**

This device contains licence-exempt transmitter(s)/ receiver(s) that comply with Innovation, Science and Economic Development Canada's licence-exempt

RSS(s). Operation is subject to the following two conditions:

1. this device may not cause interference, and
2. this device must accept any interference, including interference that may cause undesired operation of the device.

This equipment complies with Canada radiation exposure limits set forth for an uncontrolled environment. This equipment should be installed and operated with minimum distance of 20 cm between the radiator and your body. This transmitter must not be co-located or operating in conjunction with any other antenna or transmitter.

### **Privacy notice**

When you connect the eBike to the **Bosch DiagnosticTool 3**, data about Bosch drive unit (e.g. energy consumption, temperature, etc.) is transferred to Bosch eBike Systems (Robert Bosch GmbH) for the purposes of product improvement. You can find more information about this on the Bosch eBike website at [www.bosch-ebike.com](http://www.bosch-ebike.com).

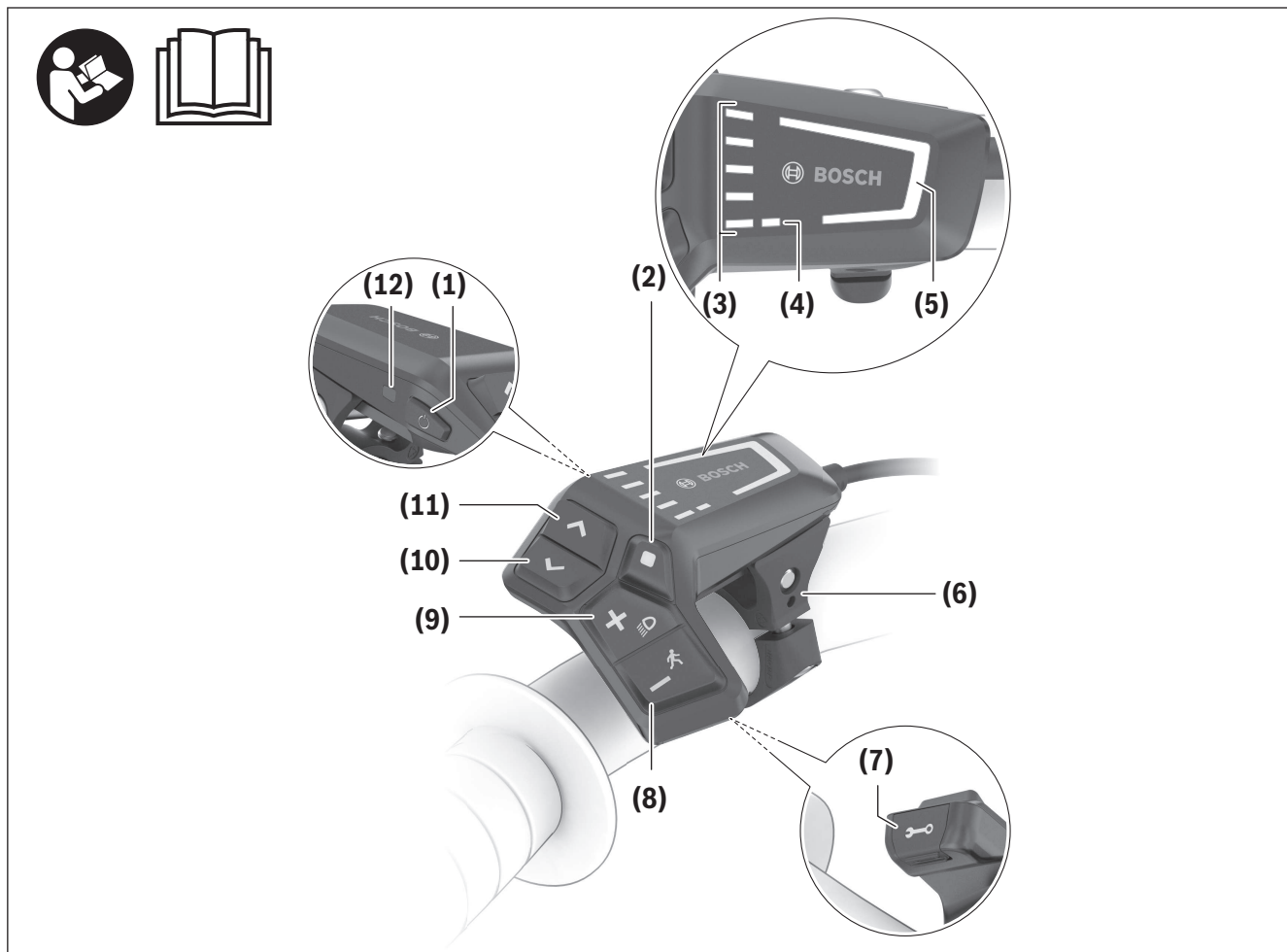


## Product description and specifications

### LED Remote product features

All illustrations of bike parts except for the drive unit, on-board computer including operating unit, speed

sensor and the corresponding holders are schematic and may differ on your eBike.



- (1)** On/off button
- (2)** Select button
- (3)** LEDs for battery charge indicator
- (4)** ABS LED (optional)
- (5)** Assistance level LED
- (6)** Holder
- (7)** Diagnostics connection (for servicing purposes only)
- (8)** Button for decreasing support level -/  
walk assistance
- (9)** Button for increasing support level +/  
bike lights
- (10)** Button to reduce brightness/  
go back
- (11)** Button to increase brightness/  
go forward
- (12)** Ambient light sensor

## Intended use

The **LED Remote** control unit is designed to control a Bosch eBike system and control an on-board computer.

The **eBike Flow** app can be accessed via *Bluetooth®*.

## Technical data

Control unit		LED Remote
Product code		BRC3600
Max. charging current of USB port	mA	600
USB port charging voltage	V	5
USB charging cable <sup>A)</sup>		USB Type-C <sup>® B)</sup>
Charging temperature	°F	32 to 104
Operating temperature	°F	23 to 104

Control unit		LED Remote
Storage temperature	°F	50 to 104
Diagnostic interface		USB Type-C <sup>® B)</sup>
Internal lithium-ion battery	V	3.7
	mAh	75
Protection rating		IP54
Dimensions (without fastening)	mm	74 × 53 × 35
Weight	oz	1
<i>Bluetooth® Low Energy 5.0</i>		
– Frequency	MHz	2400–2480
– Transmission power	mW	1

A) Not included as part of standard delivery

B) USB Type-C<sup>®</sup> and USB-C<sup>®</sup> are trademarks of USB Implementers Forum.

## Operation

### Prerequisites

The eBike system can only be activated when the following requirements are met:

- A sufficiently charged battery is inserted (see battery operating instructions).
- The speed sensor is connected properly (see drive unit operating instructions).

### Control unit power supply

If a sufficiently charged eBike battery is inserted into the eBike and the eBike system is switched on, then the control unit battery is powered and charged by the eBike battery.

If the state of charge of the internal battery is very low, you can charge the internal battery via the diagnostics connection **(7)** with a USB Type C<sup>®</sup> cable using a power bank or another suitable power source (charging voltage **5 V**; charging current max. **600 mA**).

Always close the flap of the diagnostics connection **(7)** so that no dust or moisture can enter.

### Switching the eBike system on/off

To **switch on** the eBike system, briefly press the on/off button **(1)**. After all LEDs briefly light up, the state of charge of the battery is displayed in color with the battery charge indicator **(3)** and the set assistance level with the **(5)** display. The eBike is ready to ride. The display brightness is controlled by the ambient light sensor **(12)**. Therefore, do not cover the ambient light sensor **(12)**.

The drive is activated as soon as you start pedaling (except at assistance level **OFF**). The motor output depends on the settings of the assistance level.

As soon as you stop pedaling when in normal operation, or as soon as you have reached a speed of **20 mph**, the eBike drive unit switches off the assistance. The drive is automatically re-activated as soon you start pedaling again and the speed is below **20 mph**.

To **switch off** the eBike system, press the on/off button **(1)** briefly (< 3 s). The battery charge indicator **(3)** and the assistance level LED **(5)** go out.

If no power is drawn from the eBike drive for about **10** minutes (e.g. because the eBike is not mov-

ing) and no button is pressed on the on-board computer or the control unit of the eBike, the eBike system will switch off automatically.

### Battery charge indicator

The battery charge indicator **(3)** displays the eBike battery's state of charge. The state of charge of the eBike battery can also be checked on the LEDs of the battery itself.

In the **(3)** display, each ice-blue bar represents 20 % capacity and each white bar represents 10 % capacity. The topmost bar shows the maximum capacity.

**Example:** Four ice-blue bars and one white bar are displayed. The state of charge is between 81 % and 90 %.

If capacity is low, both of the lower displays change color:

Bar	Capacity
2 × orange	30 % to 21 %
1 × orange	20 % to 11 %
1 × red	10 % to reserve
1 × red flashing	Reserve to empty

If the eBike battery is being charged, the topmost bar on the battery charge indicator **(3)** flashes.

### Setting the assistance level

On the control unit using the **(8)** and **(9)** buttons, you can set how much the eBike drive assists you while pedaling. The assistance level can be changed at any time, even while cycling, and is displayed in color.

Level	Color	Notes
<b>OFF</b>	None	Motor support is switched off. The eBike can just be moved by pedaling, as with a normal bicycle.
<b>ECO</b>	Green	Effective support with maximum efficiency, for maximum range
<b>TOUR</b>	Blue	Steady support, long range for touring
<b>eMTB/SPORT</b>	Purple	Optimal support whatever the terrain, rapid acceleration when start-

Level	Color	Notes
		ing from a standstill, improved dynamics and top performance
<b>TURBO</b>	Red	Maximum support even at a high cadence, for sport cycling

The designations and configuration of the assistance levels can be preconfigured by the manufacturer and selected by the bicycle retailer.

### Interaction between the eBike system and gear-shifting

The gear shifting should be used with an eBike drive in the same way as with a normal bicycle (observe the operating instructions of your eBike on this point). Irrespective of the type of gear shifting, it is advisable that you briefly reduce the pressure on the pedals when changing gear. This will aid gear shifting and reduce wear on the powertrain.

By selecting the correct gear, you can increase your speed and range while applying the same amount of force.

### Switching bike lights on/off

Before starting each journey, check that your bike lights are working correctly.

To **switch on** the bike lights, press the **(9)** button for more than 1 s.

You can use the **(11)** and **(10)** buttons to control the brightness of the LEDs on the control unit.

### Switching the push assistance on/off

The push assistance aids you when pushing your eBike. The speed of this function depends on the selected gear and can reach a maximum of **3.7 mph**. The lower the selected gear, the lower the speed of the push assistance function (at full power).

► **The push assistance function must only be used when pushing the eBike.** There is a risk of injury if the wheels of the eBike are not in contact with the ground while using the push assistance.

To **start** walk assistance, press the **(8)** button for more than 1 s and keep it pressed. The battery

charge indicator **(3)** goes out and a white moving light in the direction of travel shows that it is ready.

To **activate** walk assistance, one of the following actions must occur within the next 10 s:

- Push the eBike forwards.
- Push the eBike backwards.
- Perform a sideways tilting movement with the eBike.

After activation, the motor begins to push and the continuously filling white bars change color to ice-blue.

If you release the **(8)** button, walk assistance is paused. You can reactivate walk assistance within 10 s by pressing the **(8)** button.

If you do not reactivate walk assistance within 10 s, walk assistance automatically switches off.

Walk assistance is always ended if:

- the rear wheel jams;
- the bicycle cannot move over ridges;
- a body part is blocking the bike crank;
- an obstacle continues to turn the crank;
- you start pedaling;
- the **(9)** button or on/off button **(1)** is pressed.

The push assistance function is subject to local regulations; the way it works may therefore differ from the description above. It can also be deactivated.

### **ABS – Anti-lock braking system (optional)**

If the bicycle is equipped with a Bosch eBike ABS, the ABS LED **(4)** lights up when the eBike system starts.

If the eBike reaches a speed of **3.7 mph**, the ABS LED **(4)** goes out.

In the event of a fault, the ABS LED **(4)** lights up together with the orange flashing assistance level LED **(5)**. You can acknowledge the error with the select button **(2)**; the flashing assistance level LED **(5)** goes out. The ABS LED **(4)** continues to light up to show that the ABS system is not in operation.

For details on the ABS and how it works, please refer to the ABS operating instructions.

### **Establishing a smartphone connection**

In order to be able to use the following eBike functions, a smartphone with the **eBike Flow** application is required.

Connection to the app occurs via a *Bluetooth®* connection.

Switch on the eBike system and do not start riding the eBike.

Begin *Bluetooth®* pairing by long pressing (> 3 s) the on/off button **(1)**. Release the on/off button **(1)** as soon as the topmost bar on the battery charge indicator shows the pairing process by flashing blue.

Confirm the connection request in the app.

### **Activity tracking**

In order to record activities, it is necessary to register and log into the **eBike Flow** app.

To record activities, you must consent to the storage of your location data in the app. Without this, your activities cannot be recorded in the app. For location data to be recorded, you must be logged in as the user.

### **Lock function**

The lock function can be set up and configured via the **eBike Flow** app. This stores a digital key on the smartphone, which is required to start the eBike system.

Once the lock function is switched on, the eBike can only be put into operation if:

- the configured smartphone is switched on;
- the smartphone has sufficient battery charge;
- and the smartphone is in the immediate vicinity of the control unit.

Otherwise, motor support remains switched off.

If the key is not verified immediately, the search for the key is shown by the battery charge indicator **(3)** and the assistance level LED **(5)** flashing white. If the key is found, after flashing white the state of charge of the battery and the last set assistance level is displayed.

If the key cannot be found on the smartphone, the eBike system automatically switches off. The displays on the control unit go out.

Since the smartphone functions only as a contactless key when switching on, the eBike battery and on-board computer can still be used on a different, unlocked eBike.

### Software updates

Software updates are transferred from the app to the control unit in the background as soon as it is connected to the app. During the update process, a green flashing on the battery charge indicator **(3)** shows the progress. The system is then restarted. You can control the software updates via the **eBike Flow** app.

## Maintenance/cleaning

### WARNING

- ▶ **Do not open any of the components. Service should only be carried out at an authorized Bosch eBike dealer.** Failure to follow above warning can cause death or serious injury. Refer to your bicycle manual or component manual for all non-Bosch drive system components.
- ▶ **Do not submerge your eBike components in water, or wash with pressurized hose.** Your Bosch drive unit is designed to be water tight to rain water or non-pressure hose washing.
- ▶ **Do not paint any components of the Bosch drive system as they may cause premature failure of the component.**

### After-sales service and advice on using products

If you have any questions about the eBike system and its components, contact an authorized bicycle dealer.

For contact details of authorized bike dealerships, please visit [www.bosch-ebike.com](http://www.bosch-ebike.com).

Please contact an authorized bicycle dealer if the battery is no longer working.

# Troubleshooting

The control unit shows whether critical errors or less critical errors occur in the eBike system.

The error messages generated by the eBike system can be read via the **eBike Flow** app or by your bicycle retailer.

Via a link in the **eBike Flow** app, information about the error and support for rectifying the error can be displayed.

## Less critical errors

Less critical errors are shown by the assistance level LED **(5)** flashing orange. Pressing the select button **(2)** confirms the error and the assistance level LED **(5)** once again continuously shows the color of the set assistance level.

You can use the following table to rectify the errors yourself if necessary. Otherwise, please contact your bicycle retailer.

Number	Troubleshooting
0x523005	The indicated error numbers show that there is interference when the sensors detect the magnetic field. See whether you have lost the magnets while riding.
0x514001	
0x514002	
0x514003	If you are using a magnet sensor, check that the sensor and magnet have been properly installed. Make sure too that the cable to the sensor is not damaged.  If you are using a rim magnet, make sure that you do not have any magnetic field interference in the vicinity of the drive unit.
0x514006	

## Critical errors

Critical errors are shown by the assistance level LED **(5)** and the battery charge indicator **(3)** flashing red. In the event of a critical error, visit a bicycle retailer as soon as possible. **Do not connect a charger to the system.**

## Battery Recycling Program



The drive unit, on-board computer incl. operating unit, battery, speed sensor, accessories and packaging should be disposed of in an environmentally correct manner.

Do not dispose of eBikes and their components with household waste.



You may recycle your Bosch battery pack by calling 1.800.822.8837.





# Table des matières

Introduction .....	2
À propos des avertissements.....	2
Avertissements généraux.....	2
Utilisez votre notice d'utilisation .....	3
Utilisation de l'unité déportée.....	4
Consignes de sécurité .....	4
Description des prestations et du produit.....	7
Utilisation.....	8
Maintenance/nettoyage.....	11
Résolution des problèmes .....	13
Erreurs non critiques.....	13
Erreurs critiques.....	13
Programme de recyclage des accus.....	14

# Introduction

## À propos des avertissements

Cette notice contient de nombreuses mentions de danger de type **DANGER, AVERTISSEMENT** et **ATTENTION** destinées à attirer l'attention sur les conséquences d'erreurs, dans le but d'utiliser, d'assembler, d'entretenir, de conserver et d'éliminer dans les règles et en toute sécurité les vélos électriques dotés d'un système eBike Bosch.

– Le symbole de sécurité et le mot **DANGER** signalent une situation à risque élevé, qui entraîne inévitablement des blessures graves, voire la mort, si elle n'est pas évitée.

- Le symbole de sécurité et le mot **AVERTISSEMENT** signalent une situation à risque élevé, pouvant entraîner des blessures graves, voire la mort, si elle n'est pas évitée.
- Le symbole de sécurité et le mot **ATTENTION** signalent une situation à risque modéré pouvant entraîner des blessures légères ou modérées si elle n'est pas évitée.

## Avertissements généraux



**Lisez tous les avertissements de sécurité et toutes les instructions.** Le fait de ne pas respecter les avertissements et les instructions peut entraîner des blessures graves ou mortelles.

**Conservez tous les avertissements et toutes les instructions pour pouvoir s'y reporter ultérieurement.**

Le terme **accu** utilisé dans la présence notice d'utilisation désigne un accu/une batterie d'eBike Bosch d'origine.

### **▲ AVERTISSEMENT**

- ▶ **Cette notice contient d'importantes informations sur la sécurité, les performances et l'entretien.** Veuillez la lire avant d'utiliser votre vélo pour la première fois, et la conserver pour référence ultérieure. Vous pouvez également retrouver cette notice en ligne à l'adresse [www.bosch-ebike.com](http://www.bosch-ebike.com).
- ▶ **Cette notice est destinée à être lue conjointement avec le manuel utilisateur séparé fourni avec votre vélo.** Assurez-vous de lire tous les documents fournis y compris les étiquettes apposées sur le produit avant la première utilisation.

- ▶ **Lisez TOUS les manuels et TOUTES les notices jointes avant d'utiliser votre vélo pour la première fois.** Votre système d'entraînement Bosch est livré avec d'autres manuels et documents fournis par le fabricant du vélo et des autres éléments. Ne pas lire ou ne pas comprendre les informations de sécurité peut entraîner des blessures graves ou mortelles.
- ▶ **Assumez la responsabilité de votre propre SÉCURITÉ.** En cas de question ou d'incompréhension, contactez votre revendeur ou le fabricant du vélo ou de l'élément.
- ▶ **Certains accessoires de l'eBike peuvent présenter un risque d'étouffement pour les petits enfants.** Conservez ces accessoires hors de portée des enfants.

### **▲ ATTENTION**

- ▶ **Le système d'entraînement Bosch alourdit votre vélo. Vous n'avez peut-être pas l'habitude de le soulever.** Évitez de vous blesser en utilisant des techniques de levage appropriées.

## Utilisez votre notice d'utilisation

Nous nous réservons le droit d'apporter à tout moment des modifications au logiciel pour corriger des erreurs ou pour modifier les fonctionnalités décrites dans la présente notice.

### Graphiques

Le vélo illustré dans cette notice peut être légèrement différent de votre vélo, mais il est suffisamment similaire pour vous permettre de comprendre nos instructions.

Les côtés DROIT et GAUCHE sont déterminés en se plaçant en situation, dans le sens de la marche du vélo. Lorsqu'une ligne en pointillé (-----) apparaît, l'élément auquel il est fait référence n'est pas visible.

# Utilisation de l'unité déportée

## Consignes de sécurité



**Lisez attentivement toutes les instructions et consignes de sécurité.** Le non-respect des instructions et consignes de sécurité peut provoquer un choc électrique, un incendie et/ou entraîner de graves blessures.

**Conservez tous les avertissements et toutes les instructions pour pouvoir s'y reporter ultérieurement.**

Le terme **accu** utilisé dans la présence notice d'utilisation désigne un accu/une batterie d'eBike Bosch d'origine.

- ▶ **N'essayez pas de fixer l'écran ou l'unité de commande tout en roulant !**
- ▶ **N'activez pas l'assistance à la poussée pendant que vous roulez.** N'utilisez l'assistance à la poussée que pour pousser votre vélo électrique.
- ▶ **La fonction assistance à la poussée ne doit être utilisée que quand vous poussez le vélo électrique.** Les roues du vélo doivent être en contact avec le sol lorsque l'assistance à la poussée est utilisée, sans quoi vous risqueriez de vous blesser.
- ▶ **Quand l'assistance à la poussée est active, les pédales peuvent tourner toutes seules dans le vide.** Veillez à garder une distance suffisante entre vos jambes et les pédales lorsque l'assistance à la poussée est active. Il y a risque de blessure.
- ▶ **Ne posez pas le vélo à l'envers sur le guidon et la selle alors que l'unité de commande ou son support sont fixés au guidon.** L'unité de commande ou son support pourraient en être irrémédiablement endommagés.
- ▶ **Ne connectez pas un chargeur au système eBike si ce dernier signale une erreur critique.** Votre batterie pourrait alors être endommagée, prendre feu et provoquer des brûlures graves et d'autres blessures.
- ▶ **L'unité de commande est équipée d'une interface radio. Observez les restrictions d'utilisation locales en vigueur, par ex. dans les avions ou les hôpitaux.**
- ▶ **Attention !** En cas d'utilisation de l'unité de commande en mode *Bluetooth*<sup>®</sup>, d'autres appareils et installations ainsi que les avions et les appareils médicaux (par ex. stimulateurs cardiaques, prothèses auditives) peuvent être perturbés. Les ondes émises peuvent aussi avoir un effet nocif sur les personnes et les animaux qui se trouvent à proximité immédiate de l'appareil. N'utilisez pas l'unité de commande en mode *Bluetooth*<sup>®</sup> à proximité d'appareils médicaux, de stations-service, d'usines chimiques, ou dans des zones à risque d'explosion ou des zones de dynamitage. N'utilisez pas l'unité de commande en mode *Bluetooth*<sup>®</sup> dans les avions. Évitez une utilisation prolongée très près du corps.
- ▶ Le nom de marque *Bluetooth*<sup>®</sup> et le logo associé sont des marques déposées de la Bluetooth SIG, Inc. Toute utilisation de cette marque/de ce logo par la société Bosch eBike Systems s'effectue sous licence.
- ▶ **Respectez toutes les réglementations nationales relatives à l'homologation et l'utilisation de vélos électriques.**
- ▶ **Lisez et respectez les consignes de sécurité et les instructions de toutes les notices d'utilisation du système eBike, ainsi que la notice d'utilisation de votre eBike.**

### Avertissements de sécurité pour le chargement de la batterie de la télécommande

- ▶ **Ne rechargez la télécommande que via une source d'alimentation USB (5 V, 600 mA maxi) et un câble USB pour courant de charge d'au**

**moins 600 mA.** En cas d'utilisation d'une source d'alimentation USB ou d'un câble USB inadaptés, il y a risque d'incendie, d'explosion ou de blessures.

► **Rechargez l'unité de commande à des températures supérieures à +32 °F (0 °C) et inférieures à +104 °F (40 °C). Rangez et conservez l'unité de commande dans des endroits où la température n'excède pas 104 °F (40 °C).** Cela est important pour prévenir tout endommagement de l'accu de l'unité de commande.

► **N'exposez pas l'unité de commande à une source de chaleur ou à des températures excessives.** L'exposition à une source de chaleur (p. ex. flamme nue) ou à des températures supérieures à 212 °F (100 °C) risque de provoquer une explosion.

► **Ne rechargez pas l'unité de commande (via la prise USB) dans un environnement moite ou humide.** Toute pénétration d'eau dans l'unité de commande peut provoquer un incendie ou un choc électrique.

► **Ne plongez jamais l'unité de commande de bord dans un liquide quel qu'il soit et évitez à tout prix toute pénétration de liquide à l'intérieur.** Les liquides corrosifs ou conducteurs (eau de mer, produits chimiques, produits désinfectants type eau de Javel, etc.) peuvent provoquer des courts-circuits susceptibles de déclencher un incendie, causer des blessures ou entraîner des dommages matériels.

► **Dans des conditions d'utilisation ou à des températures extrêmes, l'accu risque de fuir. Évitez tout contact avec la peau et les yeux.** L'électrolyte de l'accu est caustique et risque de brûler la peau et les tissus. En cas de contact avec la peau, rincez abondamment avec de l'eau et du savon. En cas de contact avec les yeux, rincez immédiatement avec de l'eau pendant au moins 15 minutes et demandez une assistance médicale.

► **Contrôlez l'état de l'unité de commande, du câble et de la prise avant chaque utilisation.** N'utilisez plus l'unité de commande si vous consta-

tez un quelconque dommage. Un unité de commande, un câble de charge ou une prise qui ne sont pas en parfait état augmentent le risque d'incendie, d'explosion ou de blessure corporelle.

► **Ne démontez pas l'unité de commande.** Il ne comporte aucune pièce réparable ou remplaçable par l'utilisateur. Un remontage incorrect peut provoquer un incendie ou une explosion.

**REMARQUE :** Cet appareil est conforme à la partie 15 du règlement de la FCC. L'utilisation est autorisée sous réserve des deux conditions suivantes :

1. L'appareil ne doit pas produire de brouillage, et
2. l'utilisateur de l'appareil doit accepter tout brouillage radioélectrique subi, même si le brouillage est susceptible d'en compromettre le fonctionnement.

**REMARQUE :** Tous les changements et toutes les modifications apportés à cet équipement qui ne sont pas approuvés de façon explicite par Robert Bosch GmbH risquent d'annuler l'autorisation FCC d'utilisation de cet équipement.

**REMARQUE :** Cet équipement a été testé et déclaré conforme aux limites applicables aux appareils numériques de classe B, selon la section 15 de la réglementation FCC. Ces limites sont destinées à assurer une protection raisonnable contre les interférences nuisibles dans une installation résidentielle. Cet équipement génère, utilise et peut émettre de l'énergie radiofréquence qui, en cas d'installation et d'utilisation non conforme aux instructions, peut provoquer des interférences susceptibles de perturber les communications radio. Toutefois, rien ne garantit l'absence d'interférences dans une installation particulière. Si cet appareil produit des interférences perturbant la réception des programmes radio ou télévision (peut être mis en évidence en éteignant et rallumant l'appareil), il est conseillé à l'utilisateur d'essayer de réduire ces interférences en prenant l'une ou plusieurs des mesures suivantes :

- Modifier l'orientation ou l'emplacement de l'antenne réceptrice.
- Éloigner l'appareil du récepteur.

- Connecter l'appareil à une prise différente de celle dans laquelle est branché le récepteur.
- Demander conseil au fournisseur ou à un technicien spécialisé en radio/télévision.

**Information sur l'exposition aux rayonnements radiofréquence :** La puissance rayonnée par cet appareil est très inférieure aux limites d'exposition aux ondes radio définies par la FCC. Néanmoins, l'appareil doit être utilisé de façon à minimiser la possibilité de contact humain avec l'antenne en fonctionnement normal.

Cet équipement respecte les limites d'exposition aux rayonnements définies par FCC pour un environnement non contrôlé. Cet équipement doit être installé et utilisé en maintenant une distance minimale de 20 cm entre la source de rayonnement et votre corps. Cet émetteur ne doit pas être placé à proximité d'une autre antenne ou d'un autre émetteur ou être utilisé en combinaison avec n'importe quelle autre antenne ou émetteur.

#### **Remarques ISDE (Canada)**

Cet appareil contient un/des émetteur(s)/récepteur(s) exempt(s) de licence conforme(s) aux CNR d'Innovation, Sciences et Développement économique Canada applicables aux équipements exempts de licence. L'utilisation est autorisée sous réserve des deux conditions suivantes :

1. l'appareil ne doit pas produire de brouillage, et
2. l'appareil doit accepter tout brouillage radioélectrique subi, même si le brouillage est susceptible d'en compromettre le fonctionnement.

Cet équipement respecte les limites d'exposition aux rayonnements définies par le Canada pour un environnement non contrôlé. Cet équipement doit être installé et utilisé en maintenant une distance minimale de 20 cm entre la source de rayonnement et votre corps. Cet émetteur ne doit pas être placé à proximité d'une autre antenne ou d'un autre émetteur ou être utilisé en combinaison avec n'importe quelle autre antenne ou émetteur.

#### **Remarque relative à la protection des données**

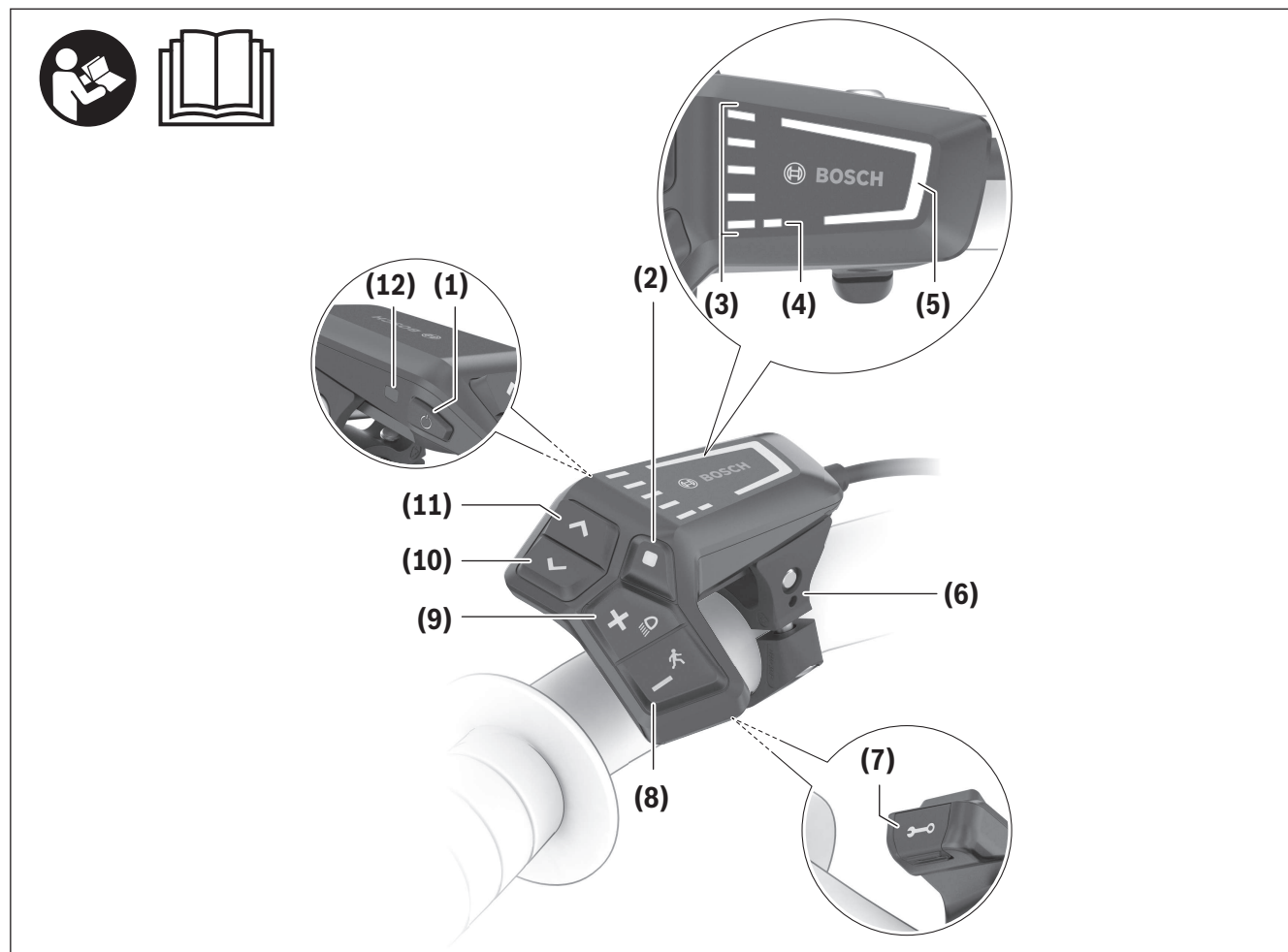
Lors du raccordement du vélo à assistance électrique à l'outil **Bosch DiagnosticTool 3**, des données sur l'utilisation de l'unité d'entraînement Bosch (consommation d'énergie, température, etc.) sont transmises à la société Bosch eBike Systems (Robert Bosch GmbH) à des fins d'amélioration des produits. Pour en savoir plus, rendez-vous sur le site Bosch [www.bosch-ebike.com](http://www.bosch-ebike.com).

## Description des prestations et du produit

### Caractéristiques du produit LED Remote

Toutes les pièces de vélo, à l'exception de l'unité d'entraînement, de l'ordinateur et de l'unité de com-

mande, du capteur de vitesse et de leurs fixations sont représentées de manière schématique, elles peuvent différer par rapport à celles réellement installées sur votre vélo électrique.



- |  |   |
|--|---|
| <b>(1)</b> Touche Marche/Arrêt   | <b>(8)</b> Bouton Diminution assistance -/<br>Assistance à la poussée |
| <b>(2)</b> Touche de sélection   | <b>(9)</b> Bouton Augmentation assistance +/<br>Éclairage du vélo     |
| <b>(3)</b> LED indicatrices du niveau de charge                          | <b>(10)</b> Bouton Diminution luminosité/<br>Aller vers l'arrière     |
| <b>(4)</b> LED ABS (option)  | <b>(11)</b> Bouton Augmentation luminosité/<br>Aller vers l'avant     |
| <b>(5)</b> LED niveau d'assistance                                       | <b>(12)</b> Capteur de lumière ambiante                               |
| <b>(6)</b> Support   |   |
| <b>(7)</b> Port de diagnostic (seulement pour besoins de<br>maintenance) |   |

## Utilisation conforme

L'unité de commande **LED Remote** est destinée au pilotage d'un système Bosch eBike et à la commande d'un ordinateur de bord.

L'application **eBike Flow** est accessible par *Bluetooth*<sup>®</sup>.

## Caractéristiques techniques

Unité déportée		LED Remote
Code produit		BRC3600
Courant de charge maxi de la prise USB	mA	600
Tension de charge de la prise USB	V	5
Câble de charge USB <sup>A)</sup>		Type USB-C <sup>®B)</sup>
Températures de charge	°F	32 ... 104

Unité déportée		LED Remote
Températures de fonctionnement	°F	23 ... 104
Températures de stockage	°F	50 ... 104
Interface de diagnostic		Type USB-C <sup>®B)</sup>
Accu Li-ion interne	V mAh	3,7 75
Indice de protection		IP54
Dimensions (sans montage)	mm	74 × 53 × 35
Poids	oz	1
<i>Bluetooth</i> <sup>®</sup> Low Energy 5.0		
– Fréquence	MHz	2 400–2 480
– Puissance d'émission	mW	1

A) non contenu dans la livraison standard

B) USB Type-C<sup>®</sup> et USB-C<sup>®</sup> sont des marques déposées de l'USB Implementers Forum.

## Utilisation

### Conditions préalables

Le système eBike ne peut être activé que si les conditions suivantes sont réunies :

- La batterie utilisée est suffisamment chargée (voir la notice d'utilisation de la batterie).
- Le capteur de vitesse est correctement branché (voir la notice d'utilisation de la Drive Unit).

### Alimentation électrique de l'unité de commande

Si une batterie eBike suffisamment chargée est insérée dans le vélo à assistance électrique et que le système eBike est mis en marche, la batterie de l'unité déportée est alimentée en énergie et chargée par la batterie eBike.

Quand le niveau de charge de la batterie est très faible, il est possible de la recharger au moyen d'un câble USB Type-C<sup>®</sup> via le port de diagnostic **(7)**, à partir d'une batterie externe ou d'une autre source de courant adaptée (tension de charge **5 V**, courant de charge maxi **600 mA**).

Fermez systématiquement le couvercle du port de diagnostic **(7)** pour empêcher la poussière et l'humidité de pénétrer.

### Mise en marche/arrêt du système eBike

Pour **mettre en marche** le système eBike, appuyer brièvement sur le bouton Marche/Arrêt **(1)**. Après un bref allumage de toutes les LED, le niveau de charge de la batterie s'affiche sur l'indicateur **(3)** prévu à cet effet et le niveau d'assistance réglé est indiqué en couleur par le voyant **(5)**. Le vélo à assistance électrique est prêt à rouler.

La luminosité de l'écran est commandée par le capteur de lumière ambiante **(12)**. C'est pourquoi il ne faut pas couvrir ce capteur de lumière ambiante **(12)**. L'entraînement est activé dès que vous commencez à pédaler (sauf sur le niveau d'assistance **OFF**). La puissance du moteur dépend du niveau d'assistance réglé.

Dès que vous arrêtez de pédaler en mode normal ou dès que vous avez atteint une vitesse de **20 mph**, le système d'entraînement eBike désactive l'assistance.



L'entraînement se réactive automatiquement dès que vous vous mettez à pédaler et que la vitesse est inférieure à **20 mph**.

Pour **arrêter** le système eBike, appuyez brièvement (moins de 3 s) sur le bouton Marche/Arrêt **(1)**. L'indicateur de niveau de charge **(3)** et la LED indiquant le niveau d'assistance **(5)** s'éteignent.

Si le système eBike n'est pas sollicité pendant **10** minutes (du fait par ex. que le vélo est à l'arrêt) et que dans le même temps aucune touche de l'ordinateur de bord ou de la console déportée de votre vélo électrique n'est actionnée, le système eBike s'arrête automatiquement.

### Indicateur de niveau de charge de la batterie

L'indicateur de niveau de charge **(3)** indique l'état de charge de la batterie du vélo à assistance électrique. Le niveau de charge de la batterie peut également être lu sur les LED de la batterie elle-même.

Sur l'indicateur **(3)**, chaque barre de couleur bleu glace représente 20 % de la capacité totale, et chaque barre blanche, 10 %. La barre supérieure correspond à une capacité maximale.

**Exemple :** affichage de 4 barres de couleur bleu glace et une barre blanche. Le niveau de charge est compris entre 81 % et 90 %.

En cas de capacité faible, les deux indicateurs inférieurs changent de couleur :

Barre	Capacité
2 orange	30 % ... 21 %
1 orange	20 % ... 11 %
1 rouge	10 % ... Réserve
1 rouge clignotante	Réserve ... vide

Si la batterie du vélo à assistance électrique est en cours de charge, la barre supérieure de l'indicateur de niveau de charge **(3)** clignote.

### Réglage du niveau d'assistance

Les boutons **(8)** et **(9)** de l'unité de commande permettent de régler le niveau d'assistance de l'entraînement du vélo à assistance électrique pendant le pédalage. Le niveau d'assistance peut être modifié à tout moment, même en roulant, et s'affiche en couleur.

Niveau	Couleur	Indication
<b>OFF</b>	aucune	L'assistance étant désactivée, on pédale sur le vélo à assistance électrique comme sur un vélo normal.
<b>ECO</b>	vert	assistance active avec une efficacité optimisée, pour une autonomie maximale
<b>TOUR</b>	bleu	assistance équilibrée, pour les sorties longues
<b>eMTB/SPORT</b>	violet	assistance optimale sur tous les terrains, démarrage sportif, dynamique améliorée, performance maximale
<b>TURBO</b>	Rouge	assistance maximale jusqu'à des cadences de pédalage élevées, pour une pratique sportive

Les désignations et la configuration des niveaux d'assistance peuvent être préconfigurées par le fabricant et sélectionnées par le revendeur de vélos.

### Interaction entre le système eBike et le système de changement de vitesses

Même avec l'assistance électrique, vous devez changer de vitesses de la même façon qu'avec un vélo normal (consultez la notice d'utilisation de votre vélo électrique).

Indépendamment du type de système de changement de vitesses, il est recommandé d'arrêter brièvement de pédaler pendant que vous changez de vitesse. Cela facilite le changement de vitesse et réduit l'usure du mécanisme d'entraînement.

En choisissant la vitesse appropriée, vous pouvez, à effort égal, rouler plus vite et bénéficier d'une plus grande autonomie.

## Activation/désactivation de l'éclairage du vélo

Vérifiez le fonctionnement de l'éclairage du vélo avant chaque départ.

Pour **allumer** l'éclairage du vélo, appuyez sur le bouton **(9)** pendant plus de 1 s.

Utilisez les boutons **(11)** et **(10)** pour commander la luminosité des LED sur l'unité de commande.

## Activation/désactivation de l'assistance à la poussée

L'assistance à la poussée vous permet de pousser le vélo électrique en exerçant moins d'effort. La vitesse possible avec cette fonction dépend de la vitesse sélectionnée sur le vélo. Elle est au maximum de **3,7 mph**. Elle sera d'autant plus faible (à pleine puissance) que la vitesse sélectionnée est plus petite.

► **La fonction assistance à la poussée ne doit être utilisée que quand vous poussez le vélo électrique.** Les roues du vélo doivent être en contact avec le sol lorsque l'assistance à la poussée est utilisée, sans quoi vous risqueriez de vous blesser.

Pour **démarrer** l'assistance à la poussée, appuyez sur le bouton **(8)** pendant plus de 1 s et maintenez-le enfoncé. L'indicateur de niveau de charge **(3)** s'éteint et une chaîne lumineuse blanche orientée dans le sens de la marche indique que le vélo est prêt.

Pour **activer** l'assistance à la poussée, l'une des actions suivantes doit avoir lieu dans les 10 s qui suivent :

- Poussez le vélo à assistance électrique vers l'avant.
- Poussez le vélo à assistance électrique vers l'arrière.
- Effectuez un mouvement d'oscillation latérale avec le vélo à assistance électrique.

Après l'activation, le moteur commence à pousser et les barres blanches continues changent de couleur pour devenir bleu glace.

Si vous relâchez le bouton **(8)**, l'assistant de poussée est mis en pause. Vous pouvez réactiver l'assistance à la poussée en appuyant sur le bouton **(8)** dans les 10 s qui suivent.

Si vous ne réactivez pas l'assistance à la poussée dans les 10 s, celle-ci s'éteint automatiquement.

L'assistance à la poussée est systématiquement interrompue lorsque

- la roue arrière est bloquée,
- des seuils ne peuvent être franchis,
- le pédalier est bloqué par une partie du corps,
- un obstacle continue à faire tourner le pédalier,
- vous appuyez sur les pédales,
- le bouton **(9)** ou le bouton Marche/Arrêt **(1)** est actionné.

Le fonctionnement de l'assistance de poussée est tributaire de la législation en vigueur dans chaque pays et peut donc différer de ce qui a été indiqué ci-dessus. L'assistance à la poussée peut même être désactivée.

## Système antiblocage ABS (optionnel)

Si le vélo à assistance électrique est équipé de l'ABS eBike Bosch, la LED ABS **(4)** s'allume lorsque le système eBike est mis en marche.

Si le vélo à assistance électrique atteint une vitesse de **3,7 mph**, le voyant ABS **(4)** s'éteint.

En cas de défaut, la LED ABS **(4)** s'allume et la LED du niveau d'assistance **(5)** clignote en orange. Il est possible de confirmer l'erreur en appuyant sur le bouton de sélection **(2)**, la LED clignotante indiquant le niveau de support **(5)** s'éteint alors. La LED ABS **(4)** reste allumée pour indiquer que le système ABS n'est pas actif.

Pour plus de détails sur le système ABS et son fonctionnement, consultez la notice d'utilisation de l'ABS.

## Établissement de la connexion avec le smartphone

Pour utiliser les fonctions eBike suivantes, un smartphone équipé de l'application **eBike Flow** est nécessaire.

La liaison avec l'application se fait par *Bluetooth*®.

Mettez le système eBike en marche et n'utilisez pas le vélo à assistance électrique.

Démarrer l'appariement *Bluetooth*® par une pression longue (plus de 3 s) sur le bouton Marche/Arrêt **(1)**.

Relâchez le bouton Marche/Arrêt **(1)** dès que la barre supérieure de l'indicateur de niveau de charge signale par un clignotement bleu que le processus d'appariement est en cours.

Dans l'application, confirmez la demande de connexion.

### Suivi des activités

Pour enregistrer les activités, il est nécessaire de s'inscrire ou de se connecter à l'application **eBike Flow**.

Pour enregistrer les activités, vous devez accepter que vos données de localisation soient stockées dans l'application. C'est une condition nécessaire à l'historisation de vos activités dans l'application. Pour que vos données de localisation soient enregistrées, vous devez être connecté en tant qu'utilisateur.

### Fonction de verrouillage (lock)

La fonction de verrouillage (lock) peut être mise en œuvre et configurée via l'application **eBike Flow**. Elle consiste à stocker sur le smartphone une clé numérique nécessaire au démarrage du système eBike.

Après avoir activé la fonction de verrouillage (lock), le vélo à assistance électrique ne peut être utilisé que si

- le smartphone configuré est allumé,
- le smartphone dispose d'une charge de batterie suffisante, et

– le smartphone se trouve à proximité immédiate de l'unité de commande.

À défaut, l'assistance moteur reste désactivée.

Si la clé n'est pas vérifiée instantanément, la recherche de la clé est signalée par le clignotement en blanc de l'indicateur du niveau de charge **(3)** et de la LED indiquant le niveau d'assistance **(5)**. Lorsque la clé est trouvée, le niveau de charge et le dernier niveau d'assistance défini s'affichent après ce clignotement en blanc.

Si la clé ne peut être trouvée sur le smartphone, le système eBike s'éteint. Les indicateurs de l'unité de commande s'éteignent.

Le smartphone ne servant que de clé sans contact au démarrage, la batterie et l'ordinateur de bord du vélo à assistance électrique peuvent toujours être utilisés sur un autre vélo à assistance électrique, non verrouillé.

### Mises à jour logicielles

Les mises à jour logicielles sont téléchargées en arrière-plan de l'application vers l'unité de commande dès que celle-ci est connectée à l'application. La progression de la mise à jour est signalée par un clignotement vert de l'indicateur de niveau de charge **(3)**. Le système est ensuite redémarré.

Les mises à jour logicielles sont pilotées par l'application **eBike Flow**.

## Maintenance/nettoyage

### ⚠ AVERTISSEMENT

- **N'ouvrez aucun élément. L'entretien doit uniquement être effectué par un revendeur eBike Bosch autorisé.** Le fait de ne pas respecter l'avertissement ci-dessus peut entraîner des blessures graves ou mortelles. Reportez-vous au manuel de votre vélo ou au manuel de l'élément pour tous les éléments ne faisant pas partie du système d'entraînement Bosch.
- **Ne plongez pas vos composants eBike dans l'eau et ne les lavez pas avec un pulvérisateur haute pression.** Votre unité d'entraînement Bosch est

conçue pour être étanche à l'eau de pluie ou à un tuyau d'arrosage sans pression.

- **Ne peignez aucun élément du système d'entraînement Bosch car cela peut entraîner une défaillance prématurée de l'élément.**

## **Service après-vente et conseil utilisateurs**

Pour toutes les questions concernant le système eBike et ses éléments, adressez-vous à un vélociste agréé.

Vous trouverez les données de contact de vélocistes agréés sur le site internet [www.bosch-ebike.com](http://www.bosch-ebike.com).

Si la batterie ne fonctionne plus, adressez-vous à un vélociste agréé.

## Résolution des problèmes

L'unité de commande indique si des erreurs, critiques ou non, se produisent dans le système eBike.

Les messages d'erreur générés par le système eBike peuvent être lus via l'application **eBike Flow** ou par votre revendeur de vélos.

Un lien présent dans l'application **eBike Flow** peut fournir des informations sur l'erreur et une assistance pour la corriger.

### Erreurs non critiques

Les erreurs non critiques sont indiquées par le clignotement orange de la LED du niveau d'assistance **(5)**.

Appuyez sur le bouton de sélection **(2)** pour confirmer l'erreur ; la LED du niveau d'assistance **(5)** affiche à nouveau de manière permanente la couleur du niveau d'assistance réglé.

Au besoin, vous pouvez vous aider du tableau suivant pour corriger vous-même les erreurs. Sinon, veuillez vous rendre chez votre revendeur de bicyclettes.

Numéro	Correction de l'erreur
0x523005	Le numéro d'erreur indiqué signale une défaillance dans la détection du champ magnétique par les capteurs. Vérifiez si vous avez perdu l'aimant en cours de route.
0x514001	
0x514002	
0x514003	Si vous utilisez un capteur magnétique, vérifiez que le montage du capteur et de l'aimant est correct. Vérifiez également que le câble conduisant au capteur n'est pas endommagé.
0x514006	
	Si vous utilisez un aimant de jante, veillez à ce qu'il n'y ait aucun champ magnétique parasite à proximité de l'unité d'entraînement.

### Erreurs critiques

Les erreurs critiques sont signalées par le clignotement rouge de la LED du niveau d'assistance **(5)** et de l'indicateur de niveau de charge **(3)**. En cas d'erreur critique, consultez un revendeur de bicyclettes dans les plus brefs délais. **Ne connectez aucun chargeur au système.**

## Programme de recyclage des accus



L'unité d'entraînement, l'ordinateur de bord et son unité de commande, la batterie, le capteur de vitesse, les accessoires et l'emballage doivent être triés afin d'être recyclés de façon respectueuse de l'environnement.

Ne jetez pas les systèmes eBike et leurs éléments constitutifs dans les ordures ménagères !



Pour recycler votre batterie Bosch, appelez le 1.800.822.8837.

# Índice

Introducción .....	2
Acerca de las advertencias .....	2
Advertencias generales .....	2
Utilización de sus Instrucciones de servicio .....	3
Manejo de la unidad de mando .....	4
Indicaciones de seguridad.....	4
Descripción del producto y servicio .....	7
Operación .....	8
Mantenimiento/Limpieza .....	11
Resolución de problemas .....	12
Fallos menos críticos.....	12
Fallos críticos.....	12
Programa de reciclaje de baterías .....	13

# Introducción

## Acerca de las advertencias

Este manual contiene muchos **PELIGROS**, **ADVERTENCIAS**, y **PRECAUCIONES** sobre las consecuencias de una falta de uso, montaje, mantenimiento, almacenamiento, inspección y eliminación de una eBike equipada por Bosch de modo seguro.

- La combinación del símbolo de alerta de seguridad y la palabra **PELIGRO** indica una situación peligrosa que, si no se evita, ocasionará la muerte o lesiones graves.
- La combinación del símbolo de alerta de seguridad y la palabra **ADVERTENCIA** indica una situación peligrosa que, si no se evita, podría provocar la muerte o lesiones graves.
- La combinación del símbolo de alerta de seguridad y la palabra **PRECAUCIÓN** indica una situación peligrosa que, si no se evita, podría ocasionar lesiones leves o moderadas.

## Advertencias generales



**Lea íntegramente todas las indicaciones de seguridad e instrucciones.** No seguir las advertencias e instrucciones siguientes puede provocar la muerte o lesiones graves.

### Guarde todas las indicaciones de seguridad e instrucciones para posibles consultas futuras.

El término **batería** empleado en este manual del usuario se refiere a todas las baterías para eBike originales de Bosch.

#### **▲ ADVERTENCIA**

- ▶ **Este manual contiene información importante de seguridad, rendimiento y mantenimiento.** Léalo antes de usar su nueva bicicleta y guárdelo a modo de referencia. Puede encontrar el manual también en línea en [www.bosch-ebike.com](http://www.bosch-ebike.com).
- ▶ **Este manual está previsto para su lectura junto con el manual de usuario aparte que venía con su bicicleta.** Antes de usar la bici por primera vez, asegúrese de leer toda la documentación facilitada, incluidas las etiquetas que lleva el producto.
- ▶ **Lea TODOS los manuales incluidos antes de montar en la bicicleta por primera vez.** Su sistema de accionamiento de Bosch incluye manuales y documentación adicionales proporcionados por el fabricante de la bicicleta y de otros componentes.

No leer o desconocer la información de seguridad puede provocar la muerte o lesiones graves.

- ▶ **Por su propia SEGURIDAD, sea responsable.** Si tiene dudas o no entiende algo, consúltelo con su distribuidor o con el fabricante de la bicicleta o del componente.
- ▶ **Algunos accesorios de la eBike pueden suponer un peligro de atragantamiento para los niños pequeños.** Mantenga esos accesorios alejados de los niños.

#### **▲ PRECAUCIÓN**

- ▶ **El sistema de accionamiento de Bosch incrementa el peso de su bicicleta, que puede que no esté acostumbrado a levantar.** Evite las lesiones; utilice técnicas de elevación adecuadas.



## Utilización de sus Instrucciones de servicio

Además de las funciones aquí representadas, puede ser que se introduzcan en cualquier momento modificaciones de software para la eliminación de errores y modificaciones de funciones.

### Gráficos

La bicicleta que se muestra en este manual puede diferir ligeramente de la suya; no obstante, las similitudes son suficientes para ayudarle a entender nuestras instrucciones.

Los lados DERECHO e IZQUIERDO se indican mirando en el sentido que la bicicleta tendrá al circular hacia delante. Si ve una línea discontinua (-----), el elemento al que se refiere está oculto a la vista.

# Manejo de la unidad de mando

## Indicaciones de seguridad



**Lea íntegramente todas las indicaciones de seguridad e instrucciones.** Las faltas de observación de las indicaciones de seguridad y de las instrucciones pueden causar descargas eléctricas, incendios y/o lesiones graves.

### Guarde todas las indicaciones de seguridad e instrucciones para posibles consultas futuras.

El término **batería** empleado en este manual del usuario se refiere a todas las baterías para eBike originales de Bosch.

- ▶ **¡No intente fijar la pantalla o la unidad de mando durante la marcha!**
- ▶ **No active la función de asistencia de empuje mientras se conduce la bicicleta.** Sólo use la función de asistencia de empuje al empujar la eBike.
- ▶ **La función de asistencia de empuje se debe usar exclusivamente al empujar la eBike.** Si las ruedas de la eBike no están en contacto con el suelo cuando se usa la asistencia de empuje, existe riesgo de lesiones.
- ▶ **Cuando la asistencia de empuje está activada, los pedales pueden girar.** Con la asistencia de empuje activada, preste atención a que sus piernas tengan suficiente distancia hacia los pedales giratorios. Existe peligro de lesión.
- ▶ **No coloque la bicicleta de cabeza en el manillar y el sillín, cuando la unidad de mando o su soporte sobresalga del manillar.** La unidad de mando o el soporte pueden dañarse irreparablemente.
- ▶ **No conecte un cargador al sistema eBike, cuando el sistema eBike indica un error crítico.** Esto puede causar la destrucción de su acumulador, el acumulador puede incendiarse y así provocar quemaduras graves y otras lesiones.
- ▶ **La unidad de mando está equipada con una interfaz inalámbrica. Observar las limitaciones locales de servicio, p. ej. en aviones o hospitales.**
- ▶ **¡Cuidado!** El uso de la unidad de mando con *Bluetooth*<sup>®</sup> puede provocar anomalías en otros aparatos y equipos, en aviones y en aparatos médicos (p. ej. marcapasos, audífonos, etc.). Tampoco puede descartarse por completo el riesgo de daños en personas y animales que se encuentren en un perímetro cercano. No utilice la unidad de mando con *Bluetooth*<sup>®</sup> cerca de aparatos médicos, gasolineras, instalaciones químicas, zonas con riesgo de explosión ni en zonas de voladuras. No utilice la unidad de mando con *Bluetooth*<sup>®</sup> en aviones. Evite el uso prolongado de esta herramienta en contacto directo con el cuerpo.
- ▶ La marca de palabra *Bluetooth*<sup>®</sup> como también los símbolos (logotipos) son marcas de fábrica registradas y propiedad de Bluetooth SIG, Inc. Cada utilización de esta marca de palabra/símbolo por Bosch eBike Systems tiene lugar bajo licencia.
- ▶ **Observe todas las prescripciones nacionales para la matriculación y la utilización de eBikes.**
- ▶ **Lea y siga todas las indicaciones de seguridad e instrucciones de todos los manuales de uso del sistema eBike, así como las instrucciones de uso de su eBike.**

### Indicaciones de seguridad para cargar la pila del mando a distancia

- ▶ **Cargue el mando a distancia únicamente con una fuente de alimentación USB (5 V, 600 mA máx.) y un cable USB con una capacidad mínima de 600 mA.** El uso de una fuente de alimentación USB o de un cable USB no adecuado para la aplicación puede provocar un incendio, una explosión o lesiones personales.

- ▶ **Cargue el cuadro de mandos a temperaturas superiores a +32 grados F (0 grados C) e inferiores a +104 grados F (40 grados C). Guarde el cuadro de mandos en lugares donde la temperatura no exceda los 104 grados F (40 grados C).** Esto es importante para prevenir serios daños a la batería del cuadro de mandos.
- ▶ **No exponga el cuadro de mandos al fuego o a una temperatura excesiva.** La exposición al fuego o a temperaturas superiores a los 212 °F (100 °C) puede causar una explosión.
- ▶ **No recargue el cuadro de mandos (a través del puerto USB) en un entorno húmedo o mojado.** La penetración de agua en el cuadro de mandos puede provocar una descarga eléctrica o un incendio.
- ▶ **Nunca sumerja el cuadro de mandos en ningún tipo de fluido ni permita que penetre en él.** Los fluidos corrosivos o conductores (como el agua de mar o los productos químicos industriales o que contienen lejía, etc.) pueden causar un cortocircuito que puede provocar incendios, lesiones personales y daños materiales.
- ▶ **La fuga de la batería puede ocurrir bajo condiciones extremas de uso o temperatura. Evite el contacto con la piel y los ojos.** El líquido de la batería es cáustico y podría causar quemaduras químicas a los tejidos. Si el líquido entra en contacto con la piel, debe lavarse rápidamente con agua y jabón. Si el líquido entra en contacto con los ojos, lávelos inmediatamente con agua durante un mínimo de 15 minutos y busque atención médica.
- ▶ **Antes de cada uso, compruebe el cuadro de mandos, el cable y el enchufe.** Si se detectan daños, no utilice el cuadro de mandos. Daños en el cuadro de mandos, los cables de carga y los enchufes aumentan el riesgo de incendio, explosión y lesiones personales.
- ▶ **No desarme el cuadro de mandos.** No hay ninguna pieza utilizable por el usuario en el interior. El ensamblaje incorrecto o los daños pueden provocar un incendio o una explosión.

**INDICACIÓN:** Este dispositivo cumple con la Parte 15 de las Normas de la FCC. La operación está sujeta a las siguientes dos condiciones:

1. Este dispositivo no debe causar interferencias dañinas, y
2. este dispositivo debe aceptar cualquier interferencia que se reciba, incluida la interferencia que pueda causar un funcionamiento no deseado.

**INDICACIÓN:** Los cambios o modificaciones realizados en este equipo no aprobados expresamente por Robert Bosch GmbH pueden anular la autorización de la FCC para operar este equipo.

**NOTA:** Este equipo ha sido probado y cumple con los límites para un dispositivo digital de Clase B, de conformidad con la Parte 15 de las Normas de la FCC. Estos límites están diseñados para proporcionar una protección razonable contra interferencias perjudiciales en una instalación residencial. Este equipo genera, utiliza y puede emitir energía de radiofrecuencia y, si no se instala y utiliza de acuerdo con las instrucciones, puede causar interferencias perjudiciales en las comunicaciones de radio. Sin embargo, no existe garantía de que no se produzcan interferencias en una instalación en particular. Si este equipo causa interferencias perjudiciales en la recepción de radio o televisión, lo cual puede determinarse encendiendo y apagando el equipo, se recomienda al usuario que intente corregir la interferencia mediante una o más de una de las siguientes medidas:

- Reorientar o reubicar la antena receptora.
- Aumente la separación entre el equipo y el receptor.
- Conecte el equipo a una toma de corriente en un circuito diferente al que está conectado el receptor.
- Diríjase al distribuidor o a un técnico de radio/TV experimentado para obtener ayuda.

**Información de exposición a la radiación de radiofrecuencia:** La potencia de salida irradiada del dispositivo está muy por debajo de los límites de exposición de radiofrecuencia de la FCC. Sin embargo, el dispositivo debe utilizarse de tal manera que se mini-

mice la posibilidad de contacto humano durante el funcionamiento normal.

Este equipo cumple con los límites de exposición a la radiación de FCC establecidos para un ambiente no controlado. Este equipo debe ser instalado y operado con una distancia mínima de 20 cm entre el emisor y su cuerpo. Este transmisor no debe estar ubicado u operando en conjunto con ninguna otra antena o transmisor.

### **Nota de ISED (Canadá)**

Este dispositivo contiene un(varios) transmisor(es)/receptor(es) exento(s) de licencia que cumple(n) con RSS(s) exento(s) de licencia del Ministerio de Innovación, Ciencia y Desarrollo Económico de Canadá. La utilización está sujeta a las dos condiciones siguientes:

1. este dispositivo no debe causar interferencias perjudiciales, y
2. este dispositivo debe admitir cualquier interferencia, incluyendo las interferencias que puedan causar un funcionamiento no deseado del dispositivo.

Este equipo cumple con los límites de exposición a la radiación del Canadá establecidos para un ambiente no controlado. Este equipo debe ser instalado y operado con una distancia mínima de 20 cm entre el emisor y su cuerpo. Este transmisor no debe estar ubicado u operando en conjunto con ninguna otra antena o transmisor.

### **Indicación de protección de datos**

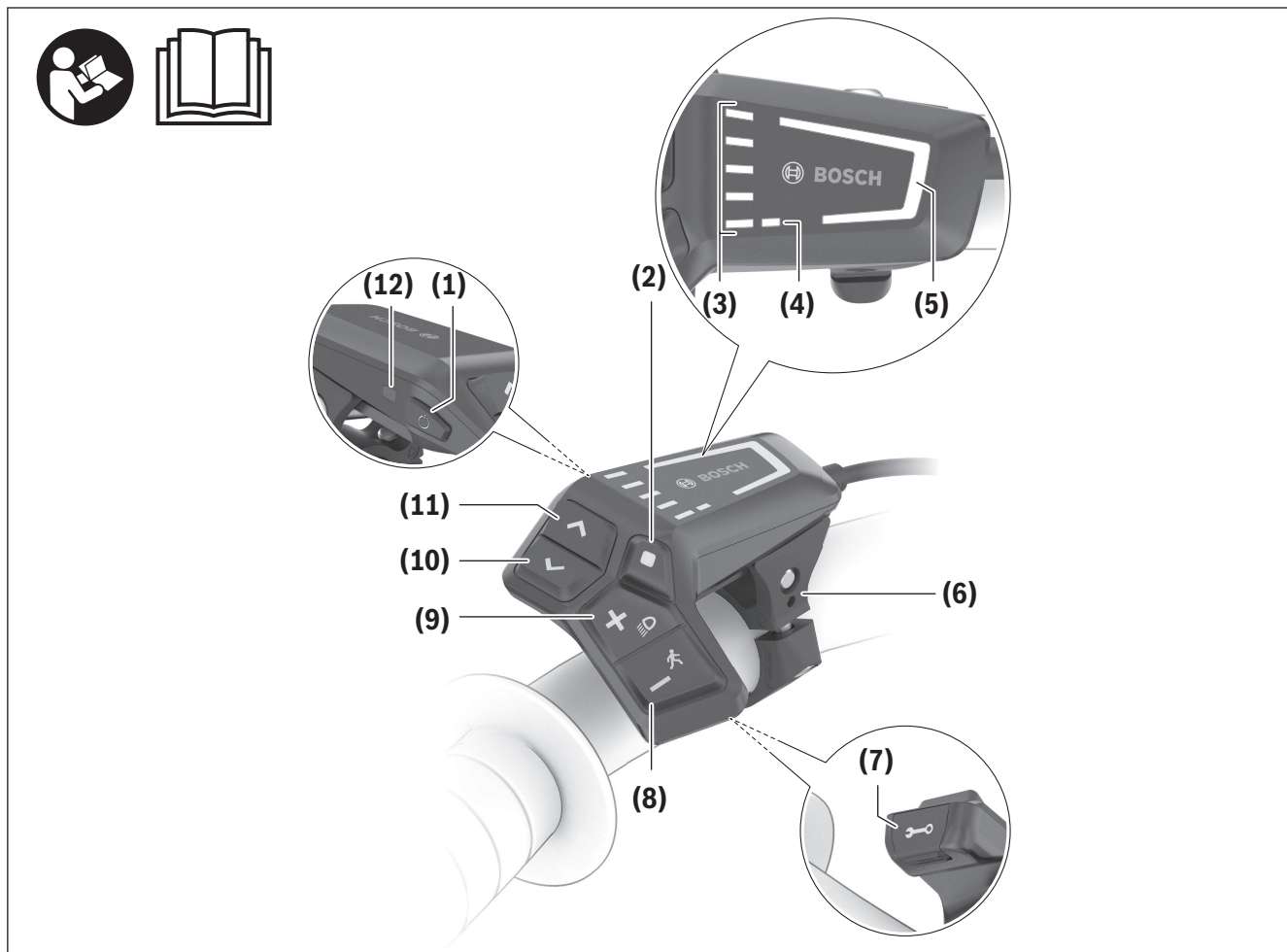
Al conectar la eBike al **Bosch DiagnosticTool 3** y con el fin de mejorar el producto, se transmiten datos sobre el uso de la unidad motriz Bosch (entre otros, consumo de energía, temperatura, etc.) a Bosch eBike Systems (Robert Bosch GmbH). Para más información, visite la página web de eBike de Bosch [www.bosch-ebike.com](http://www.bosch-ebike.com).

## Descripción del producto y servicio

### Características del producto LED Remote

Todas las representaciones de las piezas de la bicicleta, excepto la unidad motriz, ordenador de a bordo

incl. unidad de mando, sensor de velocidad y los soportes correspondientes son esquemáticas y pueden diferir de su eBike.



- |  |  |
|--|--|
| <b>(1)</b> Tecla de conexión/desconexión                                 | <b>(8)</b> Tecla para reducir la asistencia -/<br>Ayuda de empuje              |
| <b>(2)</b> Tecla de selección  | <b>(9)</b> Tecla para aumentar la asistencia +/<br>Iluminación de la bicicleta |
| <b>(3)</b> LEDs del indicador del estado de carga del<br>acumulador      | <b>(10)</b> Tecla para reducir la luminosidad/<br>retroceso de página          |
| <b>(4)</b> LED ABS (opcional)  | <b>(11)</b> Tecla para aumentar la luminosidad/<br>avance de página            |
| <b>(5)</b> LED de nivel de asistencia                                    | <b>(12)</b> Sensor de la luz de entorno  |
| <b>(6)</b> Soporte   |  |
| <b>(7)</b> Conexión de diagnóstico (sólo para fines de<br>mantenimiento) |  |

## Utilización reglamentaria

La unidad de mando **LED Remote** está destinada al control de un sistema eBike de Bosch y a la activación de un ordenador de a bordo.

A través de *Bluetooth*<sup>®</sup> se puede acceder a la aplicación **eBike Flow**.

## Datos técnicos

Unidad de mando	LED Remote	
Código de producto		BRC3600
Corriente de carga de la conexión USB máx.	mA	600
Tensión de carga en puerto USB	V	5
Cable de carga USB <sup>A)</sup>		USB Type-C <sup>®B)</sup>
Temperatura de carga	°F	32 ... 104

Unidad de mando	LED Remote	
Temperatura de servicio	°F	23 ... 104
Temperatura de almacenamiento	°F	50 ... 104
Interfaz de diagnóstico		USB Type-C <sup>®B)</sup>
Acumulador de iones de litio interno	V mAh	3,7 75
Protección		IP54
Dimensiones (sin fijación)	mm	74 × 53 × 35
Peso	oz	1
<i>Bluetooth</i> <sup>®</sup> Low Energy 5.0		
– Frecuencia	MHz	2400–2480
– Potencia de emisión	mW	1

A) No se incluye en el suministro de serie estándar

B) USB Type-C<sup>®</sup> y USB-C<sup>®</sup> son signos de marca de USB Implementers Forum.

## Operación

### Requisitos

El sistema eBike solamente puede activarse cuando se cumplen las siguientes condiciones:

- Se ha colocado una batería con suficiente carga (véanse las instrucciones de uso de la batería).
- El sensor de velocidad está conectado correctamente (véanse las instrucciones de uso del motor).

### Alimentación de energía de la unidad de mando

Si se ha colocado un acumulador de eBike con suficiente carga y está conectado el sistema eBike, el acumulador de la unidad de mando se abastece y carga con la energía del acumulador de la eBike.

Si el acumulador interno llega a tener un estado de carga muy bajo en algún momento, puede cargarlo a través de la conexión de diagnóstico **(7)** mediante un cable USB Type-C<sup>®</sup> con un banco de energía u otra fuente de corriente adecuada (tensión de carga **5 V**; corriente de carga máx. **600 mA**).

Cierre siempre la tapa de la conexión de diagnóstico **(7)**, para evitar la entrada de polvo y humedad.

### Conexión/desconexión del sistema eBike

Para **conectar** el sistema eBike pulse brevemente la tecla de conexión/desconexión **(1)**. Tras la iluminación breve de todos los LEDs, se indica el nivel de carga del acumulador con el indicador de estado de carga **(3)** y el nivel de asistencia ajustado con el indicador **(5)** en color. La eBike está lista para circular.

La luminosidad del visualizador se regula mediante el sensor de la luz de entorno **(12)**. Por lo tanto, no cubra el sensor de la luz de entorno **(12)**.

El accionamiento se activa en cuanto se empieza a pedalear (excepto en el nivel de asistencia **OFF**). La potencia del motor depende del nivel de asistencia ajustado.

En cuanto deje de pedalear en el funcionamiento normal o en cuanto alcance una velocidad de **20 mph**, se desconecta la asistencia del accionamiento de la eBike. El accionamiento se activa de nuevo automáticamente en cuanto padelee y su velocidad esté por debajo de **20 mph**.

Para **desconectar** el sistema eBike pulse brevemente (< 3 s) la tecla de conexión/desconexión **(1)**. El indi-

cadador del estado de carga del acumulador **(3)** y el LED de nivel de asistencia **(5)** se apagan.

Si durante unos **10** minutos no se solicita potencia al accionamiento de la eBike (p. ej. porque la eBike está parada) y no se pulsa ninguna tecla del ordenador de a bordo o de la unidad de mando de la eBike, el eBike-System se desconecta automáticamente.

### Indicador del estado de carga del acumulador

El indicador del estado de carga del acumulador **(3)** muestra el estado de carga del acumulador de la eBike. También se puede consultar el estado de carga del acumulador de la eBike en los LED que hay en el propio acumulador.

En el indicador **(3)**, cada barra azul hielo corresponde al 20 % de la capacidad y cada barra blanca corresponde al 10 % de la capacidad. La barra superior indica la capacidad máxima.

**Ejemplo:** Se muestran 4 barras azul hielo y una barra blanca. El estado de carga está entre el 81 % y el 90 %.

Con una capacidad menor, los dos indicadores inferiores cambian de color:

Barra	Capacidad
2 × naranja	30 % ... 21 %
1 × naranja	20 % ... 11 %
1 × rojo	10 % ... reserva
1 × rojo parpadeante	Reserva ... vacía

Si el acumulador de la eBike se está cargando, la barra superior del indicador del estado de carga del acumulador **(3)** parpadea.

### Ajuste del modo de asistencia

En la unidad de mando puede ajustar con las teclas **(8)** y **(9)** la fuerza con la que le ayuda el accionamiento de la eBike al pedalear. El nivel de asistencia se puede modificar en cualquier momento, también durante la marcha, y se visualiza en color.

Nivel	Color	Indicaciones
<b>OFF</b>	ninguna	La asistencia del motor está apagada, la eBike se puede mover como una bicicleta normal pedaleando.
<b>ECO</b>	verde	asistencia efectiva con la máxima eficiencia, para una autonomía máxima
<b>TOUR</b>	azul	asistencia uniforme, para viajes con gran autonomía
<b>eMTB/SPORT</b>	violeta	asistencia óptima en cualquier terreno, arranque deportivo, dinámica mejorada, máximo rendimiento
<b>TURBO</b>	rojo	asistencia máxima, incluso al pedalear velozmente, para una conducción deportiva

Las designaciones y la configuración de los niveles de asistencia pueden ser preconfiguradas por el fabricante y seleccionadas por el distribuidor de bicicletas.

### Funcionamiento combinado del sistema eBike con el mando del cambio

También con el accionamiento de la eBike, el cambio deberá utilizarse igual que en una bicicleta convencional (consulte al respecto las instrucciones de servicio de su eBike).

Independientemente del tipo de cambio empleado, es recomendable reducir brevemente la presión sobre los pedales durante el proceso de cambio de marcha. Ello no sólo facilita el cambio de marcha, sino que también reduce el desgaste del mecanismo de accionamiento.

Seleccionando la marcha correcta, usted puede aumentar la velocidad y el alcance aplicando la misma fuerza muscular.

### Conectar/desconectar la iluminación de la bicicleta

Compruebe siempre el correcto funcionamiento de las luces de la bicicleta antes de cada viaje.

Para **conectar** la iluminación de la bicicleta, pulse la tecla **(9)** durante más de 1 s.

Con las teclas **(11)** y **(10)** puede controlar la luminosidad de los LEDs de la unidad de mando.

## Conexión/desconexión de la Ayuda para empuje

La asistencia de empuje puede facilitarle el empuje de la eBike. La velocidad en esta función depende de la marcha acoplada y puede alcanzar como máximo **3,7 mph**. Cuanto más pequeña sea la marcha elegida, tanto menor es la velocidad lograda en la función de ayuda para empuje (a plena potencia).

► **La función de asistencia de empuje se debe usar exclusivamente al empujar la eBike.** Si las ruedas de la eBike no están en contacto con el suelo cuando se usa la asistencia de empuje, existe riesgo de lesiones.

Para **iniciar** la ayuda de empuje, pulse la tecla **(8)** durante más de 1 s y mantenga la tecla pulsada. El indicador del estado de carga **(3)** y una luz blanca en movimiento en el sentido de la marcha indica la disponibilidad.

Para **activar** la ayuda de empuje, debe realizarse una de las siguientes acciones en los próximos 10 s:

- Empuje la eBike hacia delante.
- Empuje la eBike hacia detrás.
- Realice un movimiento pendular lateral con la eBike.

Tras la activación, el motor comienza a empujar y las barras blancas continuas cambian su color a azul hielo.

Si suelta la tecla **(8)**, se interrumpe la ayuda de empuje. Dentro de los 10 s siguientes puede reactivar la ayuda de empuje pulsando la tecla **(8)**.

Si no reactiva la ayuda de empuje dentro de 10 s, la ayuda de empuje se desconecta automáticamente.

La ayuda de empuje se finaliza siempre cuando

- la rueda trasera se bloquea,
- ondulaciones de la calzada no se pueden cruzar,
- una parte del cuerpo bloquea la manivela de la bicicleta,
- un obstáculo sigue girando la manivela,
- usted comienza a pedalear,
- la tecla **(9)** o la tecla de conexión/desconexión **(1)** se presiona.

El funcionamiento de la asistencia está sujeto a las disposiciones específicas del país y, por consiguiente, puede diferir de la descripción mencionada anteriormente o estar desactivada.

## ABS – Sistema antibloqueo de frenos (opcional)

Si la bicicleta está equipada con un ABS de eBike de Bosch, el LED ABS **(4)** se enciende cuando se pone en marcha el sistema eBike.

Si la eBike alcanza una velocidad de **3,7 mph**, el LED ABS **(4)** se apaga.

En caso de fallo, el LED ABS **(4)** se enciende junto con el LED de nivel de asistencia **(5)** que parpadea en color naranja. Con la tecla de selección **(2)** puede confirmar el fallo; el LED de nivel de asistencia **(5)** parpadeante se apaga. El LED ABS **(4)** permanece iluminado para indicar que el sistema ABS no está en funcionamiento.

Los detalles sobre el ABS y el modo de funcionamiento se encuentran en las instrucciones de servicio del ABS.

## Establecer la conexión con el teléfono inteligente

Para utilizar las siguientes funciones de la eBike, se necesita un teléfono inteligente con la aplicación **eBike Flow**.

La conexión con la aplicación se realiza a través de una conexión *Bluetooth*<sup>®</sup>.

Conecte el sistema de la eBike y no circule con la eBike.

Inicie el emparejamiento *Bluetooth*<sup>®</sup> presionando prolongadamente (> 3 s) la tecla de conexión/desconexión **(1)**. Suelte la tecla de conexión/desconexión **(1)**, tan pronto como la barra superior del indicador de estado de carga muestre el proceso de emparejamiento parpadeando en azul.

En la aplicación, confirme la solicitud de conexión.

## Seguimiento de la actividad

Para registrar las actividades, es necesario un registro o el inicio de sesión en la aplicación **eBike Flow**.



Para el registro de actividades es necesario aceptar el almacenamiento de datos de ubicación en la aplicación. Solo así se pueden registrar sus actividades en la aplicación. Para registrar los datos de ubicación, debe estar conectado como usuario.

### Función de bloqueo

La función de bloqueo se puede instalar y configurar a través de la aplicación **eBike Flow**. En este proceso, se almacena una clave digital en el teléfono inteligente, que es necesaria para poner en marcha el sistema eBike.

Después de conectar la función de bloqueo, la eBike sólo puede ponerse en funcionamiento si

- el teléfono inteligente configurado está conectado,
- el teléfono inteligente dispone de suficiente carga del acumulador y
- el teléfono inteligente se encuentra en las inmediaciones de la unidad de mando.

En caso contrario, la asistencia del motor permanece desactivada.

Si la clave no se verifica inmediatamente, la búsqueda de la clave se indica mediante el parpadeo blanco del

indicador de estado de carga del acumulador **(3)** y del LED de nivel de asistencia **(5)**. Una vez que se ha encontrado la clave, el estado de la carga del acumulador y el último nivel de asistencia ajustado se visualizan después del parpadeo blanco.

Si no se encuentra la clave en el teléfono inteligente, el sistema eBike se desconecta. Los indicadores en la unidad de mando se apagan.

Dado que el teléfono inteligente sólo sirve como clave sin contacto cuando durante la conexión, el acumulador de la eBike y el ordenador de a bordo pueden seguir utilizándose en otra eBike desbloqueada.

### Actualizaciones de software

Las actualizaciones de software se transfieren en segundo plano desde la aplicación a la unidad de mando, tan pronto como se conecta a la aplicación. Durante la actualización, un parpadeo verde del indicador de estado del acumulador **(3)** muestra el progreso. A continuación, el sistema se reinicia.

Las actualizaciones de software se controlan a través de la aplicación **eBike Flow**.

## Mantenimiento/Limpieza

### ⚠ ADVERTENCIA

- ▶ **No abra ninguno de los componentes. El mantenimiento debe llevarse a cabo exclusivamente por parte de un distribuidor de eBike de Bosch autorizado.** El incumplimiento de la advertencia anterior puede causar la muerte o lesiones graves. Consulte su manual de la bicicleta o de aquellos componentes del sistema de accionamiento que no sean de Bosch.
- ▶ **No sumerja los componentes eBike en el agua ni los limpie con una manguera a presión.** El accionamiento de Bosch está diseñado para ser impermeable al agua de lluvia o a una limpieza con manguera sin presión.
- ▶ **No pinte los componentes del sistema de accionamiento de Bosch, ya que eso podría causar un fallo temprano de los mismos.**

### Servicio técnico y atención al cliente

En caso de cualquier consulta sobre el sistema eBike y sus componentes, diríjase a un distribuidor de bicicletas autorizado.

Los detalles de contacto de los distribuidores de bicicletas autorizados se pueden encontrar en el sitio web [www.bosch-ebike.com](http://www.bosch-ebike.com).

Si su acumulador ya no funciona acuda por favor a una tienda de bicicletas autorizada.

# Resolución de problemas

La unidad de mando indica si se presentan fallos críticos o menos críticos en el sistema eBike.

Los mensajes de fallo generados por el sistema eBike pueden leerse a través de la aplicación **eBike Flow** o por su distribuidor de bicicletas.

A través de un enlace en la aplicación **eBike Flow** se pueden obtener informaciones sobre el fallo y asistencia para solucionarlo.

## Fallos menos críticos

Los fallos menos críticos se indican con el parpadeo naranja del LED de nivel de asistencia **(5)**. Presionando la tecla de selección **(2)** se confirma el fallo y el LED de nivel de asistencia **(5)** vuelve a visualizar constantemente el color del nivel de asistencia ajustado.

En caso dado, puede corregir los fallos usted mismo con la ayuda de la siguiente tabla. En caso contrario, acuda a su distribuidor de bicicletas.

Número	Eliminación de fallo
0x523005	Los números de fallo indicados señalan que hay deficiencias en la detección del campo magnético por parte de los sensores. Revise si perdió el imán mientras conducía.
0x514001	
0x514002	
0x514003	
0x514006	
	Si utiliza un sensor magnético, compruebe el correcto montaje del sensor y del imán. Asegúrese también de que el cable del sensor no esté dañado.
	Si utiliza un imán de llanta, asegúrese de que no haya campos magnéticos perturbadores cerca de la unidad motriz.

## Fallos críticos

Los fallos críticos se indican con el parpadeo rojo del LED de nivel de asistencia **(5)** y del indicador de estado de carga **(3)**. En caso de un fallo crítico, consulte a un distribuidor de bicicletas lo antes posible. **No conecte un cargador al sistema.**

## Programa de reciclaje de baterías



La unidad de accionamiento, el ordenador de a bordo incl. la unidad de mando, el acumulador, el sensor de velocidad, los accesorios y los embalajes deben reciclarse de forma respetuosa con el medio ambiente.

¡No arroje eBikes y sus componentes a la basura!



Puede reciclar su paquete de baterías de Bosch llamando al 1.800.822.8837.