

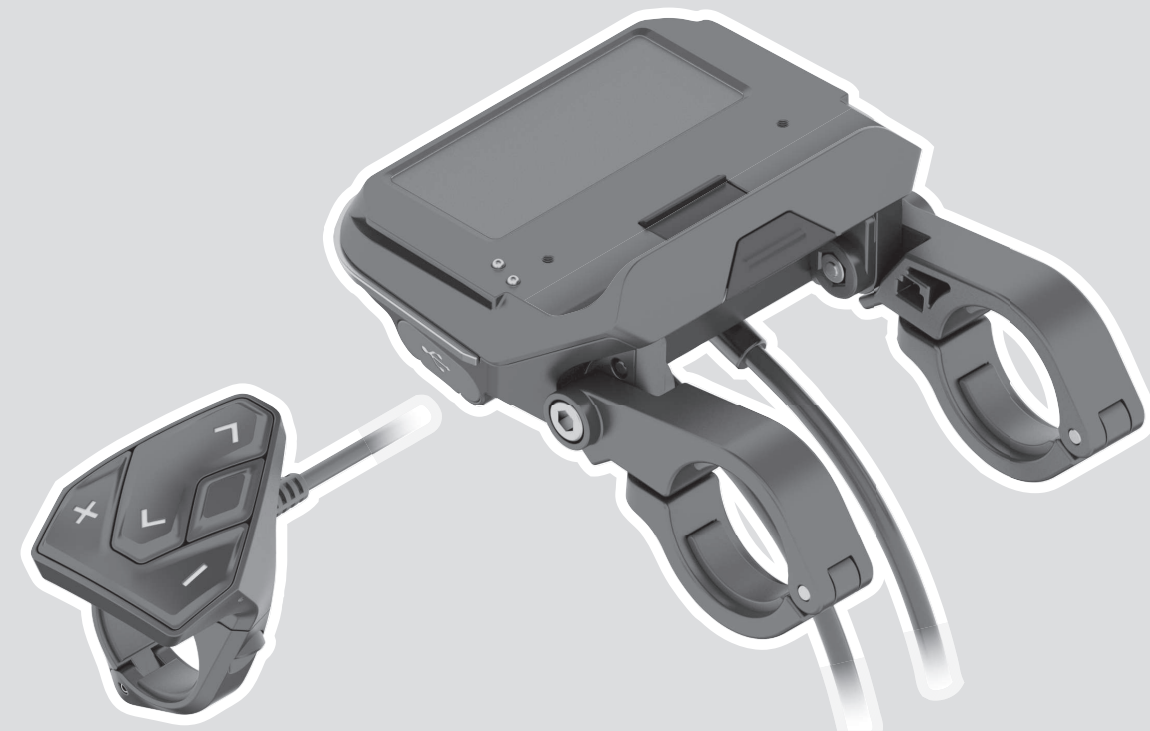
Cette notice contient d'importantes informations sur la sécurité, les performances et l'entretien. Lisez-les et comprenez-les ainsi que les informations fournies par le fabricant de votre vélo avant d'utiliser le produit, et conservez-les pour référence ultérieure.

Owner's Manual – The Bosch Drive System SmartphoneHub

Robert Bosch GmbH
72757 Reutlingen
Germany

www.bosch-ebike.com

1 270 U20 XBC (2020.04) T / 62



Este manual contiene información importante de seguridad, rendimiento y mantenimiento. Léalo y asegúrese de entenderlo junto con la información que le ha facilitado el fabricante de su bicicleta antes de usar el producto; guárdelo a modo de referencia.

en Original operating instructions
fr Notice d'utilisation d'origine
es Instrucciones de servicio originales

This manual contains important safety, performance and service information. Read and understand it along with the information provided to you by your bicycle manufacturer before using the product, and keep it for reference.

Table of Contents

Introduction	2
About Warnings	2
General Warnings	2
Using your Manual	2
Operating your Bosch Drive System	4
Safety instructions	4
Product description and specifications	7
Intended use	8
Technical data	8
Operation	9
Displays and settings of the SmartphoneHub	12
Troubleshooting	15
Maintenance and cleaning	18
Battery Recycling Program	19

Introduction

About Warnings

This manual contains many **DANGER**, **WARNING**, and **CAUTION** indicators concerning the consequences of failure to use, assemble, maintain, store, inspect and dispose of a Bosch-equipped eBike in a safe manner.

- The combination of the safety alert symbol and the word **DANGER** indicates a hazardous situation that, if not avoided, will result in death or serious injury.
- The combination of the safety alert symbol and the word **WARNING** indicates a hazardous situation that, if not avoided, could result in death or serious injury.
- The combination of the safety alert symbol and the word **CAUTION** indicates a hazardous situation that, if not avoided, could result in minor or moderate injury.

General Warnings



Read all safety warnings and all instructions. Failure to follow the warnings and instructions may result in death or serious injury.

Save all safety warnings and instructions for future reference.

The term **battery pack** used in these operating instructions refers to all original Bosch eBike battery packs.

WARNING

- ▶ **This manual contains important safety, performance and service information.** Read it before you take the first ride on your new bicycle, and keep it for reference. The manual can also be found online at www.bosch-ebike.com.
- ▶ **This manual is intended to be read together with the separate user manual provided with your bicycle.** Be sure to read all provided documents including labels on the product before your first ride.

- ▶ **Read ALL accompanying manuals before riding the bike for the first time.** Your Bosch Drive System comes with additional manuals and documents provided by the manufacturer of the bicycle and other components. Failure to read and understand safety information can result in death or serious injury.
- ▶ **Take responsibility for your own SAFETY.** If you have any questions or do not understand something, consult with your dealer or the bicycle or component manufacturer.
- ▶ **Some eBike accessories may present a choking hazard to small children.** Keep these accessories away from children.

CAUTION

- ▶ **The Bosch Drive System adds weight to your bicycle which you may not be used to lift.** Avoid injury, use proper lifting techniques.

Using your Manual

In addition to the functions outlined here, changes to software relating to troubleshooting and functional modifications may be introduced at any time.

Graphics

The bicycle shown in this manual may differ slightly from your bicycle, but will be similar enough to help you understand our instructions.

RIGHT-HAND and LEFT-HAND sides are determined by facing in the direction the bicycle will travel when going forward. When you see a broken line (-----), the item referred to is hidden from view.

Operating your Bosch Drive System

Safety instructions



Read all the safety information and instructions. Failure to observe the safety information and follow instructions may result in electric shock, fire and/or serious injury.

Save all safety warnings and instructions for future reference.

The term **battery pack** used in these operating instructions refers to all original Bosch eBike battery packs.

- ▶ **Do not allow yourself to be distracted by the display of the on-board computer.** If you do not concentrate exclusively on the traffic around you, you risk being involved in an accident. If you want to change any settings on the on-board computer other than the assistance level, always stop before entering the relevant data.
- ▶ **Accessing other apps, reading pop up messages/other content, or otherwise using your device while operating an ebike may be distracting.** Distracted driving is a serious safety concern and can lead to accidents causing serious injury or death. In order to prevent distracted driving, most devices come equipped with a “Do Not Disturb” mode. The “Do Not Disturb” mode should be used while operating an eBike. Please consult your device-specific instructions for more information. You, as the ebike operator, are fully responsible for ensuring that you pay attention to road conditions and comply with traffic laws at all times.
- ▶ **Choose the USB charging cable length appropriately.** USB charging cable length must not be long enough to catch in handlebar or front wheel. This is important to prevent personal injury.
- ▶ **Do not open the on-board computer.** Opening the on-board computer can result in irreparable damage and void your warranty.
- ▶ **Do not use the on-board computer as a handle.** Lifting the eBike up by the on-board computer can cause irreparable damage to the on-board computer.
- ▶ **Do not stand your bicycle upside down on its saddle and handlebars if the SmartphoneHub or its holder protrude from the handlebars.** This may irreparably damage the SmartphoneHub or the holder.
- ▶ **Caution!** Using the on-board computer with *Bluetooth*[®] and/or WiFi can interfere with the operation of other devices and systems, including airplanes and medical devices (e.g. pacemakers, hearing aids). Similarly, the possibility that this may cause damage to humans and animals in the immediate vicinity cannot be completely excluded. Do not use the on-board computer with *Bluetooth*[®] in the vicinity of medical devices, service stations, chemical plants, blasting areas or other areas where there is a risk of explosion. Do not use the on-board computer with *Bluetooth*[®] in airplanes. Avoid using the device in close proximity to your body over an extended period of time.
- ▶ The *Bluetooth*[®] word mark and logos are registered trademarks owned by Bluetooth SIG, Inc. and any use of such marks by Bosch eBike Systems is under licence.
- ▶ **The on-board computer is fitted with a radio interface. Local operating restrictions, e.g. in airplanes or hospitals, must be adhered to.**
- ▶ **Do not allow your attention to be diverted from surrounding traffic when using COBI.Bike products. Always observe the applicable legal provisions in your country for the permitted use of your bicycle on public streets. In particular, note that it is prohibited to pick up or hold your**

smartphone in your hand while cycling on public streets.

- ▶ **Consult a doctor before using fitness app programs.** Fitness apps may cause people to overexert themselves physically.

Note: We recommend that COBI.Bike products are only used by persons at least 10 years of age.

Safety Instructions for Charging the On-Board Computer Battery

- ▶ **Only charge the on-board computer with USB power source (5 V, 1000 mA max) and USB cable rated at least 1000 mA.** Using USB power source or USB cable not appropriately rated for the application may result in fire, explosion or personal injury.
- ▶ **Charge the on-board computer in temperatures above +32 degrees F (0 degrees C) and below +104 degrees F (40 degrees C). Store on-board computer in locations where temperatures will not exceed 104 degrees F (40 degrees C).** This is important to prevent serious damage to the battery in the on-board computer.
- ▶ **Do not expose on-board computer to fire or excessive temperature.** Exposure to fire or temperature above 212 °F (100 °C) may cause explosion.
- ▶ **Do not recharge the on-board computer (via USB port) in damp or wet environment.** Water entering on-board computer may result in electric shock or fire.
- ▶ **Never submerge on-board computer in fluid of any kind or allow fluid to enter them.** Corrosive or conductive fluid (such as seawater or industrial chemical or bleach containing products, etc.) can cause short circuit which may result in fire, personal injury and property damage.
- ▶ **Battery leakage may occur under extreme usage or temperature conditions. Avoid contact with skin and eyes.** The battery liquid is caustic and could cause chemical burns to tissues. If liquid comes in contact with skin, wash quickly with soap

and water. If the liquid contacts your eyes, immediately flush eyes with water for a minimum of 15 minutes and seek medical attention.

- ▶ **Place on-board computer on flat nonflammable surfaces and away from flammable materials when recharging on-board computer using external USB power source.** Carpeting and other heat insulating surfaces block proper air circulation which may cause overheating of the on-board computer. If smoke or melting of the on-board computer is observed, unplug the external USB power source immediately and do not use the on-board computer. Contact customer service immediately.
- ▶ **Before each use, check the on-board computer, cable and plug.** If damage is detected, do not use the on-board computer. Damaged on-board computer, charging cables and plugs increase the risk of a fire, explosion and personal injury.
- ▶ **Do not disassemble on-board computer.** No user serviceable part inside. Incorrect reassembly or damage may result in fire or explosion.

NOTICE: This equipment complies with FCC radiation exposure limits set forth for an uncontrolled environment. This equipment should be installed and operated with minimum distance of 20 cm between the radiator and your body. This transmitter must not be co-located or operating in conjunction with any other antenna or transmitter:

1. This device must not cause harmful interference, and
2. this device must accept any interference that is received, including interference that may cause undesired operation.

NOTICE: Changes or modifications made to this equipment not expressly approved by the Robert Bosch GmbH may void the FCC authorization to operate this equipment.

NOTE: This equipment has been tested and found to comply with the limits for a Class B digital device, pursuant to Part 15 of the FCC Rules. These limits are designed to provide reasonable protection against

harmful interference in a residential installation. This equipment generates, uses and can radiate radio frequency energy and, if not installed and used in accordance with the instructions, may cause harmful interference to radio communications. However, there is no guarantee that interference will not occur in a particular installation. If this equipment does cause harmful interference to radio or television reception, which can be determined by turning the equipment off and on, the user is encouraged to try to correct the interference by one or more of the following measures:

- Reorient or relocate the receiving antenna.
- Increase the separation between the equipment and receiver.
- Connect the equipment into an outlet on a circuit different from that to which the receiver is connected.
- Consult the dealer or an experienced radio/TV technician for help.

Radiofrequency radiation exposure Information:

The radiated output power of the device is far below the FCC radio frequency exposure limits. Neverthe-

less, the device shall be used in such a manner that the potential for human contact during normal operation is minimized.

ISED Notice (Canada)

This device complies with Industry Canada license-exempt RSS standard(s). Operation is subject to the following two conditions:

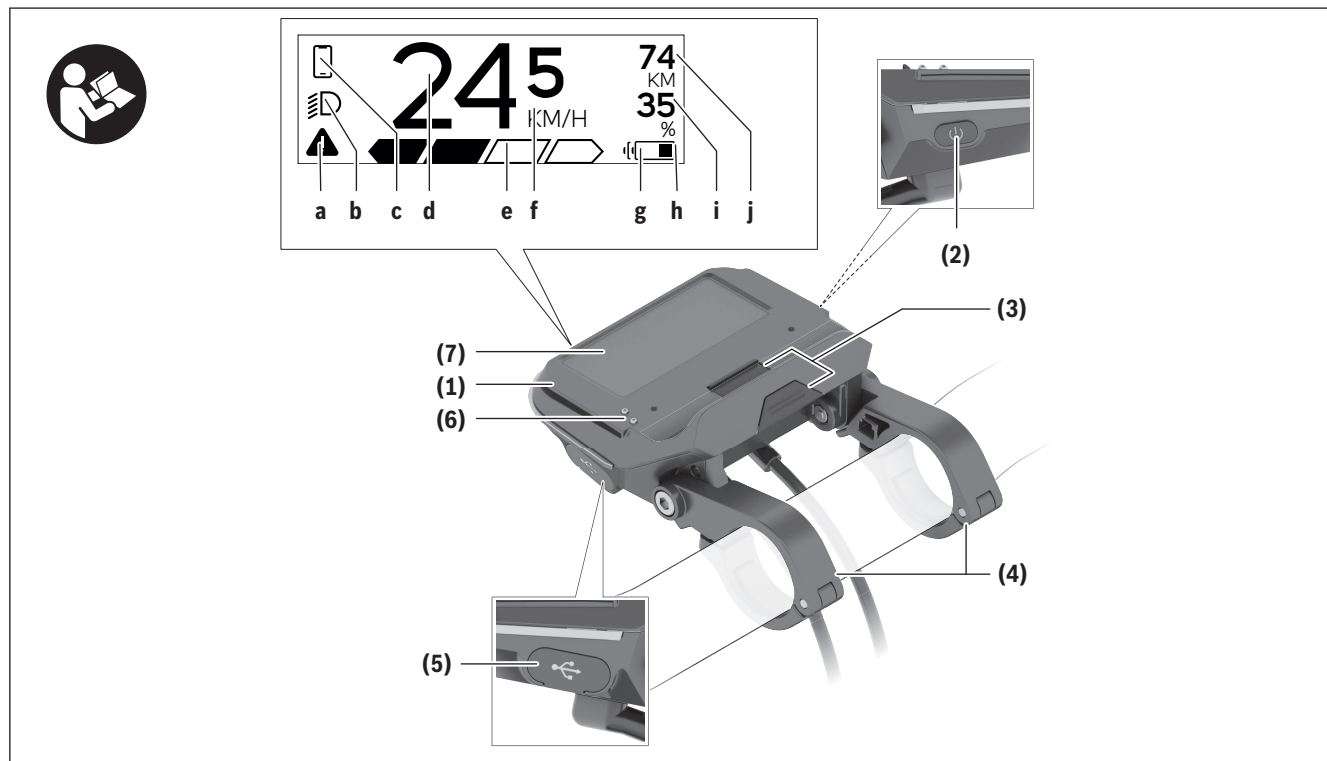
- this device may not cause interference, and
- this device must accept any interference, including interference that may cause undesired operation of the device.

This equipment complies with FCC radiation exposure limits set forth for an uncontrolled environment. This equipment should be installed and operated with minimum distance of 20 cm between the radiator and your body. This transmitter must not be co-located or operating in conjunction with any other antenna or transmitter.

Privacy notice

If the SmartphoneHub is sent to Bosch Service for servicing, note that the data stored on the device may be transmitted to Bosch.

Product description and specifications



(1) SmartphoneHub

(2) On/off button for SmartphoneHub

(3) Release lever for smartphone holder

(4) Holder for SmartphoneHub^{A)}

(5) Protective cap for USB port

(6) Power supply for smartphone holder

(7) Display

A) For mounting on the handlebars, custom solutions are possible even without the use of the handlebar clamps.

Display elements for SmartphoneHub

a Error indicator

b Bike lights display

c Smartphone connection indicator

d Speed

e Assistance level indicator

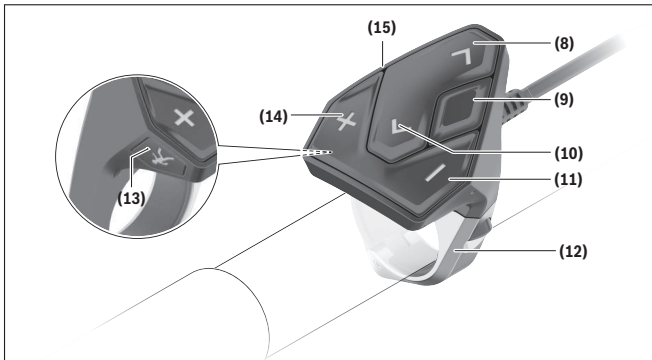
f Unit indicator

g Indicator for second battery (optional)

h Battery charge indicator

i State of charge of the battery

j Operating range



- (8) Next page button
- (9) Select button
- (10) Previous page button
- (11) Decrease assistance level button -
- (12) Holder for operating unit
- (13) Start/push assistance button **WALK**
- (14) Increase assistance level button +
- (15) Operating unit

Intended use

The SmartphoneHub is designed to control Bosch eBike systems and display cycling data. In addition to the functions outlined here, changes to software relating to troubleshooting and functional modifications may be introduced at any time. The description of additional functions can be found in the online version of these instructions at www.Bosch-eBike.com/smartphonehub-manual.

The **SmartphoneHub** is intended for use with a smartphone.

The basic cycling data, however, is shown on the display of the SmartphoneHub. Additional information and functions can be added via the **COBI.Bike** smartphone app.



Communication between the SmartphoneHub and smartphone takes place via a *Bluetooth*[®] connection.

Technical data

On-board computer	SmartphoneHub	
Product code		CUI100
Max. USB port charging current	mA	1000
USB port charging voltage	V	5
Operating temperature	°F	23 to 104
Storage temperature	°F	50 to 104
Charging temperature	°F	32 to 104
Internal lithium-ion battery	V	3.7
	mAh	300
Protection rating ^{A)}		IP54
Weight, approx.	kg	0.12

A) When the USB cover is closed

The Bosch eBike system uses FreeRTOS (see <http://www.freertos.org>).

Operation

Start-up

Requirements

The eBike system can only be activated when the following requirements are met:

- A sufficiently charged battery is inserted (see battery operating instructions).
- The speed sensor is connected properly (see drive unit operating instructions).

Switching the eBike system on/off

The following options are available for **switching on** the eBike system:

- Press the on/off button **(2)** of the on-board computer with the eBike battery inserted.
- Press the on/off button of the eBike battery (see battery operating instructions).

The drive is activated as soon as you start pedaling (except for in the push assistance function or with the assistance level **OFF**). The motor output depends on which assistance level is set on the on-board computer.

As soon as you stop pedaling when in normal operation, or as soon as you have reached a speed of **20 mph**, the eBike drive unit switches off the assistance. The drive is automatically re-activated as soon you start pedaling again and the speed is below **20 mph**.

The following options are available for **switching off** the eBike system:

- Press the on/off button **(2)** of the on-board computer.
- Switch off the eBike battery using its on/off button (some bicycle manufacturer-specific solutions prevent access to the battery on/off button; see the bicycle manufacturer operating instructions).

The system shuts down after being switched off. This takes approximately three seconds. It cannot be switched back on until shutdown has been completed.

If the eBike is not moved for approx. ten minutes **and** no button is pressed on the on-board computer, the eBike system switches off automatically in order to save energy.

Note: Always switch off the eBike system when you park the eBike.

Note: If the battery of the SmartphoneHub is empty, you can still switch on your eBike using the eBike battery. The SmartphoneHub battery begins charging automatically once the eBike battery is switched on. Alternatively, the battery of the SmartphoneHub can be charged via the USB port.

Linking the SmartphoneHub with a smartphone

You can expand the indicators and functions of the SmartphoneHub using the **COBI.Bike** smartphone app. This app can be downloaded free of charge from the App Store (for Apple iPhones) or from the Google Play Store (for Android devices).

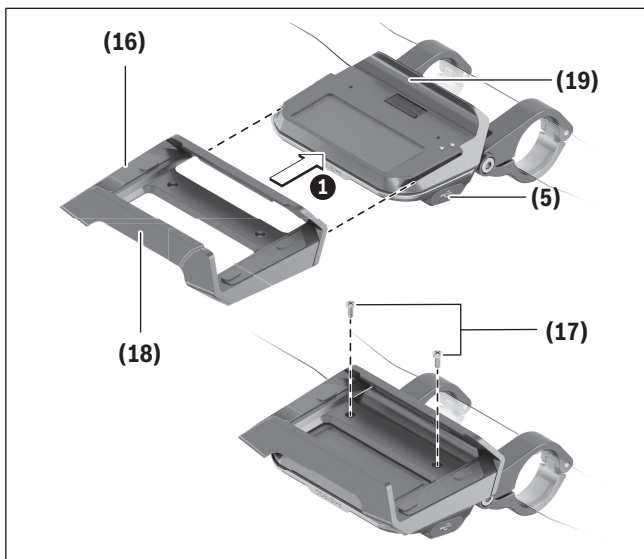
To connect your SmartphoneHub with the smartphone, open the COBI.Bike app on your smartphone and follow the instructions in the app.

Inserting a smartphone into the universal holder

A universal holder **(16)** is supplied for attaching a smartphone. Specific holders for iPhones can be purchased from the range of accessories. No separate power supply is necessary for an iPhone holder.

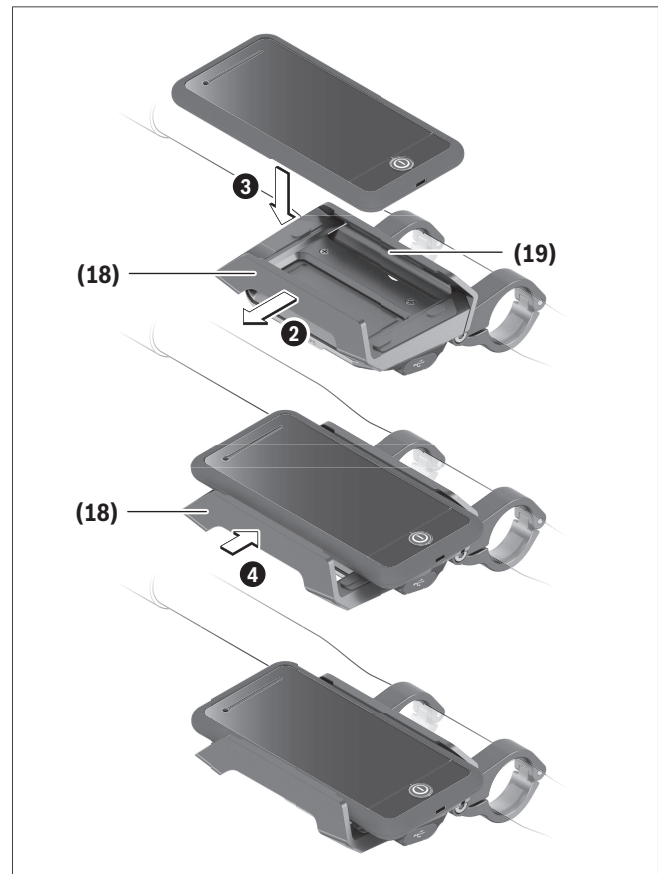
For the universal holder, the power (5 V/1 A, max. 1.5 A) is supplied using a separate USB cable (included with delivery) via the micro A/B USB port of the SmartphoneHub.

Attaching the universal mount



Push the universal holder **(16)** onto the SmartphoneHub from the front until you hear it click into place **1**. The universal holder can also be fixed in place using the two fastening screws **(17)**.

Inserting the smartphone



Pull the front mounting bracket **(18)** forward **2**.

Insert the smartphone with the long side of the phone positioned against the rear mounting bracket **(19)** **3**. Allow the front mounting bracket **(18)** to slide slowly toward the smartphone and release it **4**.

Power supply for the smartphone (optional)

The smartphone can be supplied with power (5 V/1 A) using a separate USB cable (included with delivery) via the micro A/B USB port of the SmartphoneHub. To do this, connect the smartphone to the USB port of the SmartphoneHub using the USB cable.

Removing the smartphone

Use both hands to push the smartphone forward along with the front mounting bracket until the smartphone can be removed from the universal holder. If

necessary, remove the USB cable for the power supply.

Software update

If a software update is available for the SmartphoneHub, an indicator is shown in the smartphone app. Follow the instructions in the app to perform the update.

Recovering the SmartphoneHub

A recovery operation should be carried out on the SmartphoneHub if it is no longer functioning correctly. To do this, open the app on your smartphone and follow the instructions.

Power supply for the SmartphoneHub

The SmartphoneHub has an internal lithium-ion polymer battery (nominal/minimum 300 mAh, 3.7 V) that cannot be removed.

The SmartphoneHub can be switched on via its on/off button **(2)** or via the on/off button of the eBike battery. If the SmartphoneHub cannot be switched on, it must be charged via a USB cable for at least 30 minutes.

If you do not use your SmartphoneHub, recharge the SmartphoneHub every 3 months. You can charge the SmartphoneHub battery via the USB port on the SmartphoneHub using any power supply unit, smartphone charger, etc.

Switching the push assistance on/off

The push assistance aids you when pushing your eBike. The speed of this function depends on the selected gear and can reach a maximum of **3.7 mph**.

The lower the selected gear, the lower the speed of the push assistance function (at full power).

► **The push assistance function must only be used when pushing the eBike.** There is a risk of injury if the wheels of the eBike are not in contact with the ground while using the push assistance.

To **activate** the push assistance, briefly press the **WALK** button on your operating unit. After activation,

press the **+** button within three seconds and keep it pressed. The eBike drive is switched on.

Note: The push assistance cannot be activated at assistance level **OFF**.

The push assistance is **switched off** as soon as one of the following occurs:

- You release the **+** button;
- the wheels of the eBike are locked (e.g. by applying the brakes or hitting an obstacle);
- the speed exceeds **3.7 mph**.

The push assistance function is subject to local regulations; the way it works may therefore differ from the description above. It can also be deactivated.

Setting the assistance level

On the operating unit **(15)**, you can set the level of assistance you want the eBike drive to provide you with while pedalling. The assistance level can be changed at any time, even while cycling.

Note: In some models, the assistance level may be preset and cannot be changed. There may also be fewer assistance levels available than stated here.

The following assistance levels are available as a maximum:

- **OFF:** Motor assistance is switched off. The eBike can just be moved by pedaling, as with a normal bicycle. The push assistance cannot be activated at this assistance level.
- **ECO:** Effective assistance with maximum efficiency, for maximum range
- **TOUR:** Steady assistance, long range for touring
- **SPORT/eMTB:**
 - SPORT:** Powerful assistance, for mountain biking and for cycling in urban traffic
 - eMTB:** Optimum assistance whatever the terrain, rapid acceleration when starting from a standstill, improved dynamics, top performance (**eMTB** is only available in combination with drive units BDU250P CX, BDU365, BDU450 CX and BDU480 CX. This also requires a software update.)

– **TURBO:** Maximum assistance even at high pedaling speeds, for biking sports

To **increase** the assistance level, press the **+** (**14**) button on the operating unit repeatedly until the desired assistance level appears on the display. To **decrease** the assistance level, press the **-** (**11**) button.

Switching bicycle lights on/off

On the model in which the lighting is powered by the eBike system, the front and rear lights can be

switched on and off at the same time by pressing and holding the **+** button (**14**) on the operating unit.

If the light is switched on, a symbol is shown on the display or in the app.

Alternatively, the light can be switched on and off using the app.

Switching the bike lights on and off has no effect on the backlighting of the display.

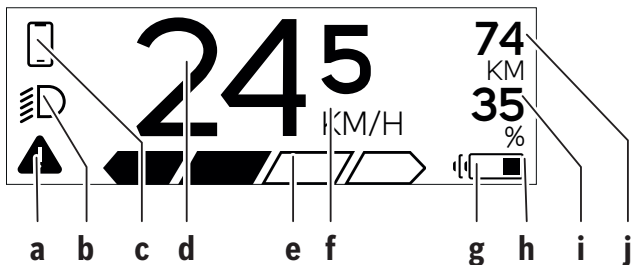
Displays and settings of the SmartphoneHub

The SmartphoneHub is connected to the drive unit via a cable.

The smartphone is mechanically connected to the SmartphoneHub via a smartphone attachment.

The communication between the SmartphoneHub and smartphone takes place via *Bluetooth®*.

The SmartphoneHub has a scratch-resistant 1.52" LCD display with a resolution of 192 × 64 pixels. The integrated display is suitable for use without a corresponding smartphone. No app content of the smartphone can be shown on the integrated display.



a Error indicator:

This indicator appears when at least one error is present in the error memory.

b Bicycle lighting indicator:

This indicator appears when the light is switched on.

c Smartphone connection indicator:

This indicator appears when the smartphone has been connected to the SmartphoneHub via *Bluetooth®*.

This indicator appears when the smartphone has been connected to the SmartphoneHub and the **COBI.Bike** app is open on the smartphone at the same time. In this setting, the **COBI.Bike** app records the journey.

d Speed:

The current speed is displayed here.

e Assistance level indicator



f Unit indicator:

Depending on the settings selected in the **COBI.Bike** app, the speed can either be shown in km/h or mph. The default setting is km/h.

g Indicator for second battery:

If the eBike is equipped with two batteries, the two batteries are shown here in succession.

h Battery charge indicator:

The battery symbol displays the current state of charge of the battery.

The battery is empty or not inserted.

i State of charge of the battery in percent







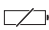
j Range of the eBike battery:

Depending on the state of charge of the battery, the maximum range is shown here.


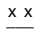

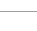



Other displays

498 ^{1/1} An error has occurred. The error indicator remains on the

display until the user presses the select button **(9)** to acknowledge the error. The warning triangle subsequently remains in the main display view (alongside speed, etc.) until the error has been resolved.

HOLD '+' NOW	In a two-step activation process, after pressing the (13) button, the rider is prompted to press the + button (14) for two seconds.
	After two seconds, the push assistance mode is displayed.
	This indicator and the text shown on the left appear when there are problems that mean that the drive unit cannot provide any assistance. This is the case if, for example, the eBike battery is empty.
ENGINE OFF	
 DISABLED n/a 35 %	
 68%	If the eBike battery is being charged, the screen shows the current state of charge. The battery symbol flashes.
	This indicator appears if, for example, – the DiagnosticTool is connected or – an external power source is connected to the Smartphone-Hub (e.g. a powerbank)
 245 74 KM/H 35 %	If the state of charge of the eBike battery is below 20 %, the battery charge indicator h will flash.
	This indicator appears if, for example, – the state of charge of the eBike battery is low or – no eBike battery is recognized by the system.

The assistance is switched off.

	These indicators appear when the eBike is due for servicing.
INSPECTION DUE	
	This indicator appears if software problems occur. A software update must be carried out in the COBI.Bike app.
	You can carry out the update independently in the COBI.Bike app and you do not have to go to a Bosch eBike dealer.
	This indicator appears when the SmartphoneHub is connecting to the smartphone.
	The completion of the <i>Bluetooth</i> [®] pairing is indicated by means of a check mark against the small smartphone symbol.
	This indicator appears whenever the SmartphoneHub is in recovery mode (only in this status can new software be installed). The small <i>Bluetooth</i> [®] symbol indicates the connection to the smartphone.
	The completion of the recovery operation is indicated by a check mark.
	Your operating system is non-functional for the following reasons:
CHECK APP	<ol style="list-style-type: none"> 1. One or more incompatible components have been detected. This state can only be rectified by a Bosch eBike dealer. 2. An out-of-date version of the software has been detected.

This can only occur as a result of an intentional software downgrade. The problem can be resolved with a software update. Please follow the instructions in the **COBI.Bike** app.

Following this notification, the eBike system switches off.

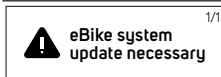


This indicator appears when the **COBI.Bike** app is open and in dashboard mode.



This indicator appears when the **COBI.Bike** app is connected to the Bosch SmartphoneHub and the drive unit is waiting to be switched on. To do this, perform one of the following actions:

- Press the "Start" button in the **COBI.Bike** app.
- Turn the smartphone into the horizontal position while the **COBI.Bike** app is open.
- Press the **+** button on the operating unit.



This indicator appears when one or several eBike components require a software update.

The update can only be carried out by an authorized Bosch eBike dealer.

The indicator can be hidden by pressing any button on the operating unit. The indicator appears during every eBike system start-up until the update has been carried out. You can still continue to use your eBike without restrictions. The number at the top on the right will indicate the number of notifications.

Troubleshooting

The components of the eBike system are continuously monitored automatically. If a fault is detected, the corresponding fault code will appear on the on-board computer.

The drive may also be switched off automatically depending on what type of fault has occurred. You can

continue riding at any time without assistance from the drive, but you should have your eBike checked before completing any more journeys.

► **Only have repairs performed by a certified bicycle dealer.**

Code	Cause	Corrective measures
410	One or more buttons of the on-board computer are disabled.	Check whether any buttons are stuck, e.g. as a result of dirt finding its way in. Clean the buttons if need be.
414	Operating unit connection problem	Have the connections checked
418	One or more buttons on the operating unit are disabled.	Check whether any buttons are stuck, e.g. as a result of dirt finding its way in. Clean the buttons if need be.
419	Configuration error	Restart the system. If the problem persists, contact your Bosch eBike dealer.
422	Drive unit connection problem	Have the connections checked
423	eBike battery connection problem	Have the connections checked
424	Communication problem between components	Have the connections checked
426	Internal time-out error	Restart the system. If the problem persists, contact your Bosch eBike dealer. With this error, it is not possible to bring up the wheel circumference in the basic settings menu or to adjust it.
430	Internal battery of the on-board computer is flat (does not apply to BUI350)	Charge the on-board computer (in the holder or via the USB port)
431	Software version error	Restart the system. If the problem persists, contact your Bosch eBike dealer.
440	Internal drive unit fault	Restart the system. If the problem persists, contact your Bosch eBike dealer.
450	Internal software error	Restart the system. If the problem persists, contact your Bosch eBike dealer.
460	Error at USB port	Remove the cable from the USB port of the on-board computer. If the problem persists, contact your Bosch eBike dealer.
490	Internal fault of the on-board computer	Have the on-board computer checked

Code	Cause	Corrective measures
500	Internal drive unit fault	Restart the system. If the problem persists, contact your Bosch eBike dealer.
502	Bike light fault	Check the light and the associated wiring. Restart the system. If the problem persists, contact your Bosch eBike dealer.
503	Speed sensor fault	Restart the system. If the problem persists, contact your Bosch eBike dealer.
504	Speed signal distortion detected.	Check that the spoke magnet is positioned correctly, and adjust it if necessary. Check that nothing has been tampered with (tuning). Drive assistance is reduced.
510	Internal sensor fault	Restart the system. If the problem persists, contact your Bosch eBike dealer.
511	Internal drive unit fault	Restart the system. If the problem persists, contact your Bosch eBike dealer.
530	Battery fault	Switch off the eBike, remove the eBike battery and reinsert the eBike battery. Restart the system. If the problem persists, contact your Bosch eBike dealer.
531	Configuration error	Restart the system. If the problem persists, contact your Bosch eBike dealer.
540	Temperature error	The eBike is outside of the permissible temperature range. Switch off the eBike system and allow the drive unit to either cool down or heat up to the permissible temperature range. Restart the system. If the problem persists, contact your Bosch eBike dealer.
550	An impermissible load has been detected.	Remove the load. Restart the system. If the problem persists, contact your Bosch eBike dealer.
580	Software version error	Restart the system. If the problem persists, contact your Bosch eBike dealer.
591	Authentication error	Switch off the eBike system. Remove the battery pack and reinsert it. Restart the system. If the problem persists, contact your Bosch eBike dealer.
592	Incompatible component	Use a compatible display. If the problem persists, contact your Bosch eBike dealer.
593	Configuration error	Restart the system. If the problem persists, contact your Bosch eBike dealer.
595, 596	Communication error	Check the wiring to the drive and restart the system. If the problem persists, contact your Bosch eBike dealer.

Code	Cause	Corrective measures
602	Internal battery fault	Restart the system. If the problem persists, contact your Bosch eBike dealer.
603	Internal battery fault	Restart the system. If the problem persists, contact your Bosch eBike dealer.
605	Battery temperature error	The battery is outside of the permissible temperature range. Switch off the eBike system and allow the battery to either cool down or heat up to the permissible temperature range. Restart the system. If the problem persists, contact your Bosch eBike dealer.
606	External battery fault	Check the wiring. Restart the system. If the problem persists, contact your Bosch eBike dealer.
610	Battery voltage error	Restart the system. If the problem persists, contact your Bosch eBike dealer.
620	Charger fault	Replace the charger. Contact your Bosch eBike dealer.
640	Internal battery fault	Restart the system. If the problem persists, contact your Bosch eBike dealer.
655	Multiple battery faults	Switch off the eBike system. Remove the battery pack and reinsert it. Restart the system. If the problem persists, contact your Bosch eBike dealer.
656	Software version error	Contact your Bosch eBike dealer so that they can perform a software update.
7xx	Error relating to third-party components	Observe the information in the operating instructions of the respective component manufacturer.
Display is blank	Internal fault of the on-board computer	Restart your eBike system by switching it off and back on.

Maintenance and cleaning

Do not clean any of the components with pressurized water.

Keep the screen of your on-board computer clean.

Dirt can cause faulty brightness detection.

Clean your on-board computer using a soft cloth dampened only with water. Do not use cleaning products of any kind.

Have your eBike system checked by an expert at least once a year (including mechanical parts, up-to-date-ness of system software).

The bike retailer can also schedule the service based on a mileage and/or a time period. In this case, the on-board computer displays a message telling you when the service date is due each time it is switched on.

Please have your eBike serviced and repaired by an authorized bicycle dealer.

► **Only have repairs performed by a certified bicycle dealer.**

Battery Recycling Program



The drive unit, on-board computer incl. operating unit, battery, speed sensor, accessories and packaging should be disposed of in an environmentally correct manner.

Do not dispose of eBikes and their components with household waste.



You may recycle your Bosch battery pack by calling 1.800.822.8837.

Table des matières

Introduction	2
À propos des avertissements.....	2
Avertissements généraux.....	2
Utilisez votre notice d'utilisation	3
Utilisation de votre système de commande Bosch	4
Consignes de sécurité	4
Description des prestations et du produit.....	7
Utilisation conforme.....	8
Caractéristiques techniques.....	8
Fonctionnement	9
Affichage et configuration du SmartphoneHub	12
Résolution des problèmes	15
Nettoyage et entretien	18
Programme de recyclage des accus.....	19

Introduction

À propos des avertissements

Cette notice contient de nombreuses mentions de danger de type **DANGER, AVERTISSEMENT** et **ATTENTION** destinées à attirer l'attention sur les conséquences d'erreurs, dans le but d'utiliser, d'assembler, d'entretenir, de conserver et d'éliminer dans les règles et en toute sécurité les vélos électriques dotés d'un système eBike Bosch.

- Le symbole de sécurité et le mot **DANGER** signalent une situation à risque élevé, qui entraîne inévitablement des blessures graves, voire la mort, si elle n'est pas évitée.

- Le symbole de sécurité et le mot **AVERTISSEMENT** signalent une situation à risque élevé, pouvant entraîner des blessures graves, voire la mort, si elle n'est pas évitée.
- Le symbole de sécurité et le mot **ATTENTION** signalent une situation à risque modéré pouvant entraîner des blessures légères ou modérées si elle n'est pas évitée.

Avertissements généraux



Lisez tous les avertissements de sécurité et toutes les instructions. Le fait de ne pas respecter les avertissements et les instructions peut entraîner des blessures graves ou mortelles.

Conservez tous les avertissements et toutes les instructions pour pouvoir s'y reporter ultérieurement.

Le terme **accu** utilisé dans la présence notice d'utilisation désigne un accu/une batterie d'eBike Bosch d'origine.

▲ AVERTISSEMENT

- ▶ **Cette notice contient d'importantes informations sur la sécurité, les performances et l'entretien.** Veuillez la lire avant d'utiliser votre vélo pour la première fois, et la conserver pour référence ultérieure. Vous pouvez également retrouver cette notice en ligne à l'adresse www.bosch-ebike.com.
- ▶ **Cette notice est destinée à être lue conjointement avec le manuel utilisateur séparé fourni avec votre vélo.** Assurez-vous de lire tous les do-

cuments fournis y compris les étiquettes apposées sur le produit avant la première utilisation.

- ▶ **Lisez TOUS les manuels et TOUTES les notices jointes avant d'utiliser votre vélo pour la première fois.** Votre système d'entraînement Bosch est livré avec d'autres manuels et documents fournis par le fabricant du vélo et des autres éléments. Ne pas lire ou ne pas comprendre les informations de sécurité peut entraîner des blessures graves ou mortelles.
- ▶ **Assumez la responsabilité de votre propre SÉCURITÉ.** En cas de question ou d'incompréhension, contactez votre revendeur ou le fabricant du vélo ou de l'élément.
- ▶ **Certains accessoires de l'eBike peuvent présenter un risque d'étouffement pour les petits enfants.** Conservez ces accessoires hors de portée des enfants.

▲ ATTENTION

- ▶ **Le système d'entraînement Bosch alourdit votre vélo. Vous n'avez peut-être pas l'habitude de le soulever.** Évitez de vous blesser en utilisant des techniques de levage appropriées.

Utilisez votre notice d'utilisation

Nous nous réservons le droit d'apporter à tout moment des modifications au logiciel pour corriger des erreurs ou pour modifier les fonctionnalités décrites dans la présente notice.

Graphiques

Le vélo illustré dans cette notice peut être légèrement différent de votre vélo, mais il est suffisamment similaire pour vous permettre de comprendre nos instructions.

Les côtés DROIT et GAUCHE sont déterminés en se plaçant en situation, dans le sens de la marche du vélo. Lorsqu'une ligne en pointillé (-----) apparaît, l'élément auquel il est fait référence n'est pas visible.

Utilisation de votre système de commande Bosch

Consignes de sécurité



Lisez attentivement toutes les instructions et consignes de sécurité. Le non-respect des instructions et consignes de sécurité peut provoquer un choc électrique, un incendie et/ou entraîner de graves blessures.

Conservez tous les avertissements et toutes les instructions pour pouvoir s'y reporter ultérieurement.

Le terme **accu** utilisé dans la présente notice d'utilisation désigne un accu/une batterie d'eBike Bosch d'origine.

- ▶ **Ne vous laissez pas distraire par l'affichage sur l'ordinateur de bord.** Si vous ne vous concentrez pas pleinement sur les conditions de circulation, vous risquez d'être impliqué dans un accident. Pour changer de niveau d'assistance et effectuer des entrées dans votre ordinateur de bord, arrêtez-vous et saisissez les données souhaitées.
- ▶ **La consultation d'autres applications mobiles, la lecture de messages pop-up/d'autres contenus ou le fait d'utiliser votre appareil pendant que vous roulez risquent de détourner votre attention.** Tout détournement de votre attention compromet sérieusement la sécurité et peut provoquer des accidents graves voir mortels. Pour exclure tout détournement d'attention et pouvoir rester pleinement concentré sur la conduite, la plupart des appareils intègrent un mode « Ne pas déranger ». Il est vivement conseillé d'activer le mode « Ne pas déranger » pendant la conduite d'un vélo à assistance électrique. Pour en savoir plus, consultez la notice d'utilisation de votre appareil. Lors de la conduite de votre vélo électrique, vous êtes tenu de tenir compte des conditions de circulation et de respecter à tout moment le Code de la route et les règles de sécurité routière.
- ▶ **Choisissez un câble de charge USB de longueur appropriée.** Le câble de charge USB ne doit pas être trop long car il pourrait alors se prendre dans la roue avant ou dans le guidon. Cela est primordial pour exclure tout risque d'accident corporel.
- ▶ **N'ouvrez pas l'ordinateur de bord.** Le fait de l'ouvrir annule la garantie. Il risquerait par ailleurs d'être détérioré.
- ▶ **Ne vous servez pas de l'ordinateur de bord comme d'une poignée.** Si vous soulevez votre vélo en le saisissant par l'ordinateur de bord, ce dernier risque d'être endommagé irrémédiablement.
- ▶ **Ne retournez pas le vélo pour le mettre en appui sur le guidon et la selle, quand le Smartphone-Hub ou son support sont montés sur le guidon.** Le SmartphoneHub ou son support de fixation risqueraient de subir des dommages irréparables.
- ▶ **Attention !** En cas d'utilisation de l'ordinateur de bord en mode *Bluetooth*[®] et/ou WiFi, les ondes émises risquent de perturber le fonctionnement de certains appareils et installations ainsi que le fonctionnement des avions et des appareils médicaux (par ex. stimulateurs cardiaques, prothèses auditives). Les ondes émises peuvent aussi avoir un effet nocif sur les personnes et les animaux qui se trouvent à proximité immédiate de l'appareil. N'utilisez pas l'ordinateur de bord en mode *Bluetooth*[®] à proximité d'appareils médicaux, de stations-service, d'usines chimiques et lorsque vous vous trouvez dans des zones à risque d'explosion ou dans des zones de dynamitage. N'utilisez pas l'ordinateur de bord en mode *Bluetooth*[®] dans les avions. Évitez une utilisation prolongée très près du corps.
- ▶ Le nom de marque *Bluetooth*[®] et le logo associé sont des marques déposées de la Bluetooth SIG, Inc. Toute utilisation de cette marque/de ce logo

par la société Bosch eBike Systems s'effectue sous licence.

- ▶ **L'ordinateur de bord est doté d'une interface radio. Observez les restrictions d'utilisation locales en vigueur, par ex. dans les avions ou les hôpitaux.**
- ▶ **Ne détournez pas votre attention de la circulation lors de l'utilisation des produits COBI.Bike et observez la législation de votre pays réglementant l'utilisation de votre vélo sur la voie publique. Il est notamment interdit de circuler sur la voie publique en tenant votre smartphone dans la main.**
- ▶ **Consultez un médecin avant d'utiliser les applications de sport et de fitness.** Les applications de fitness ne sont pas adaptées à toutes les personnes. Pour certaines, elles peuvent être trop contraignantes sur le plan physique.

Remarque : Nous recommandons de ne pas utiliser les produits COBI.Bike avant l'âge de 10 ans.

Consignes de sécurité pour la charge de l'accu de l'ordinateur de bord

- ▶ **Ne rechargez l'ordinateur de bord que via une source d'alimentation USB (5 V, 1000 mA maxi) et un câble USB pour courant de charge d'au moins 1000 mA.** En cas d'utilisation d'une source d'alimentation USB ou d'un câble USB inadaptés, il y a risque d'incendie, d'explosion ou de blessures.
- ▶ **Rechargez l'ordinateur de bord à des températures supérieures à +32 °F (0 °C) et inférieures à +104 °F (40 °C). Rangez et conservez l'ordinateur de bord dans des endroits où la température n'excède pas 104 °F (40 °C).** Cela est important pour prévenir tout endommagement de l'accu de l'ordinateur de bord.
- ▶ **N'exposez pas l'ordinateur de bord à une source de chaleur ou à des températures excessives.** L'exposition à une source de chaleur (p. ex. flamme nue) ou à des températures supérieures à 212 °F (100 °C) risque de provoquer une explosion.
- ▶ **Ne rechargez pas l'ordinateur de bord (via la prise USB) dans un environnement moite ou humide.** Toute pénétration d'eau dans l'ordinateur de bord peut provoquer un incendie ou un choc électrique.
- ▶ **Ne plongez jamais l'ordinateur de bord dans un liquide quel qu'il soit et évitez à tout prix toute pénétration de liquide à l'intérieur.** Les liquides corrosifs ou conducteurs (eau de mer, produits chimiques, produits désinfectants type eau de Javel, etc.) peuvent provoquer des courts-circuits susceptibles de déclencher un incendie, causer des blessures ou entraîner des dommages matériels.
- ▶ **Dans des conditions d'utilisation ou à des températures extrêmes, l'accu risque de fuir. Évitez tout contact avec la peau et les yeux.** L'électrolyte de l'accu est caustique et risque de brûler la peau et les tissus. En cas de contact avec la peau, rincez abondamment avec de l'eau et du savon. En cas de contact avec les yeux, rincez immédiatement avec de l'eau pendant au moins 15 minutes et demandez une assistance médicale.
- ▶ **Pour recharger l'ordinateur de bord avec une source d'alimentation USB externe, placez-le sur une surface plane ininflammable, loin de tout matériau inflammable.** Ne le posez pas sur de la moquette et d'autres isolants thermiques. Ils bloquent la circulation de l'air et peuvent causer une surchauffe de l'ordinateur de bord. Si vous observez un dégagement de fumée ou des traces de fusion au niveau de l'ordinateur de bord, débranchez aussitôt la source d'alimentation USB externe et n'utilisez plus l'ordinateur de bord. Contactez sans délai le service clients.
- ▶ **Contrôlez l'état de l'ordinateur de bord, du câble et de la prise avant chaque utilisation.** N'utilisez plus l'ordinateur de bord si vous constatez un quelconque dommage. Un ordinateur de bord, un câble de charge ou une prise qui ne sont pas en parfait état augmentent le risque d'incendie, d'explosion ou de blessure corporelle.

► **Ne démontez pas l'ordinateur de bord.** Il ne comporte aucune pièce réparable ou remplaçable par l'utilisateur. Un remontage incorrect peut provoquer un incendie ou une explosion.

REMARQUE : Cet équipement respecte les limites d'exposition aux rayonnements définies par la FCC pour un environnement non contrôlé. Cet équipement doit être installé et utilisé en maintenant une distance minimale de 20 cm entre la source de rayonnement et votre corps. Cet émetteur ne doit pas être placé à proximité d'une autre antenne ou d'un autre émetteur ou être utilisé en combinaison avec n'importe quelle autre antenne ou émetteur :

1. L'appareil ne doit pas produire de brouillage, et
2. l'utilisateur de l'appareil doit accepter tout brouillage radioélectrique subi, même si le brouillage est susceptible d'en compromettre le fonctionnement.

REMARQUE : Tous les changements et toutes les modifications apportés à cet équipement qui ne sont pas approuvés de façon explicite par Robert Bosch GmbH risquent d'annuler l'autorisation FCC d'utilisation de cet équipement.

REMARQUE : Cet équipement a été testé et déclaré conforme aux limites applicables aux appareils numériques de classe B, selon la section 15 de la réglementation FCC. Ces limites sont destinées à assurer une protection raisonnable contre les interférences nuisibles dans une installation résidentielle. Cet équipement génère, utilise et peut émettre de l'énergie radiofréquence qui, en cas d'installation et d'utilisation non conforme aux instructions, peut provoquer des interférences susceptibles de perturber les communications radio. Toutefois, rien ne garantit l'absence d'interférences dans une installation particulière. Si cet appareil produit des interférences perturbant la réception des programmes radio ou télévision (peut être mis en évidence en éteignant et rallumant l'appareil), il est conseillé à l'utilisateur d'essayer de réduire

ces interférences en prenant l'une ou plusieurs des mesures suivantes :

- Modifier l'orientation ou l'emplacement de l'antenne réceptrice.
- Éloigner l'appareil du récepteur.
- Connecter l'appareil à une prise différente de celle dans laquelle est branché le récepteur.
- Demander conseil au fournisseur ou à un technicien spécialisé en radio/télévision.

Information sur l'exposition aux rayonnements radiofréquence : La puissance rayonnée par cet appareil est très inférieure aux limites d'exposition aux ondes radio définies par la FCC. Néanmoins, l'appareil doit être utilisé de façon à minimiser la possibilité de contact humain avec l'antenne en fonctionnement normal.

Remarque ISED (Canada)

Cet appareil est conforme à la (aux) norme(s) CNR d'Industrie Canada applicable(s) aux équipements exempts de licence. Son utilisation est autorisée sous réserve des deux conditions suivantes :

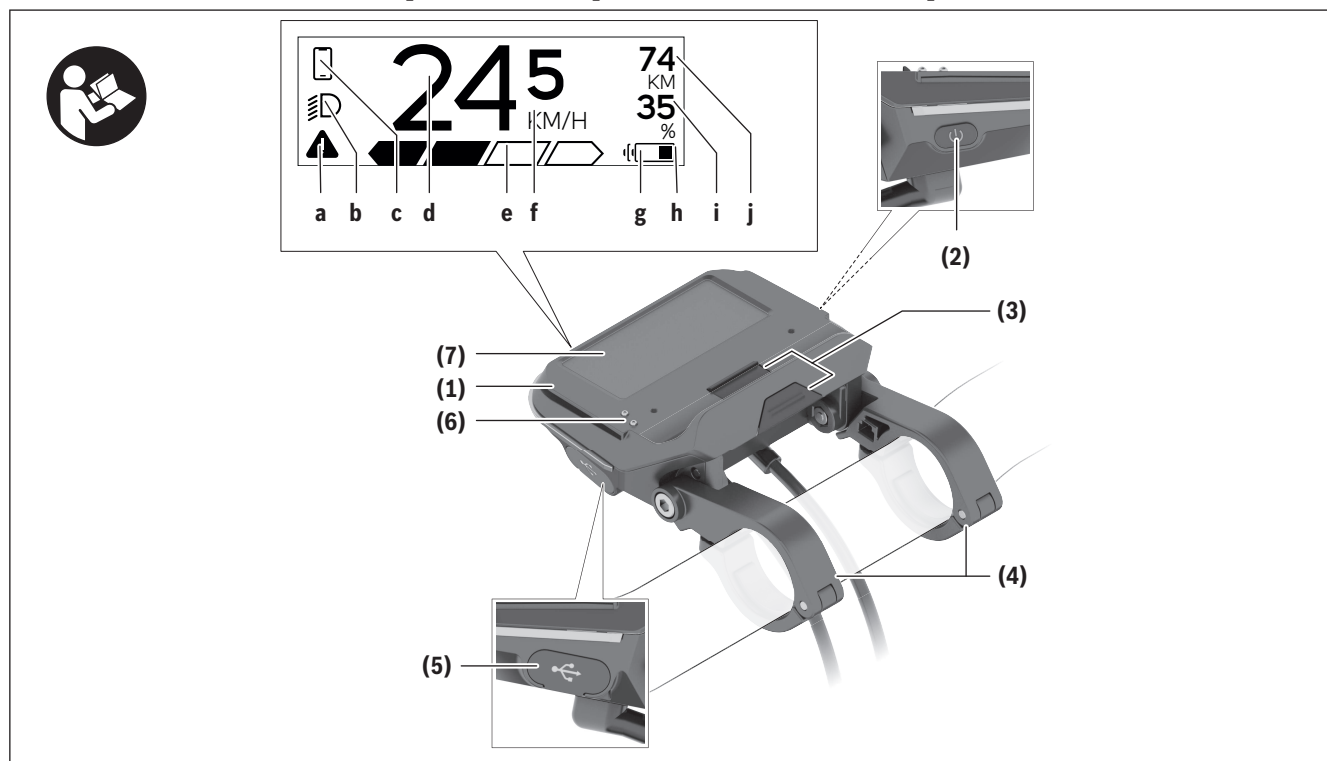
- L'appareil ne doit pas produire de brouillage, et
- l'utilisateur de l'appareil doit accepter tout brouillage radioélectrique subi, même si le brouillage est susceptible de compromettre le fonctionnement de l'appareil.

Cet équipement respecte les limites d'exposition aux rayonnements définies par la FCC pour un environnement non contrôlé. Cet équipement doit être installé et utilisé en maintenant une distance minimale de 20 cm entre la source de rayonnement et votre corps. Cet émetteur ne doit pas être placé à proximité d'une autre antenne ou d'un autre émetteur ou être utilisé en combinaison avec n'importe quelle autre antenne ou émetteur.

Remarque relative à la protection des données

Quand le SmartphoneHub est envoyé au Service Bosch pour entretien ou réparation, il se peut que les données enregistrées en mémoire soient transmises à Bosch.

Description des prestations et du produit



(1) SmartphoneHub

(2) Touche Marche/arrêt du SmartphoneHub

(3) Levier de déverrouillage du support de smartphone

(4) Support du SmartphoneHub^{A)}

(5) Cache de protection de la prise USB

(6) Alimentation du support de smartphone

(7) Écran

A) Pour la fixation sur le guidon, des solutions spécifiques client aussi sans les colliers de guidon sont possibles.

Affichages sur le SmartphoneHub

a Affichage de défaut

b Affichage éclairage du vélo

c Affichage connexion avec smartphone

d Vitesse de roulage

e Niveau d'assistance

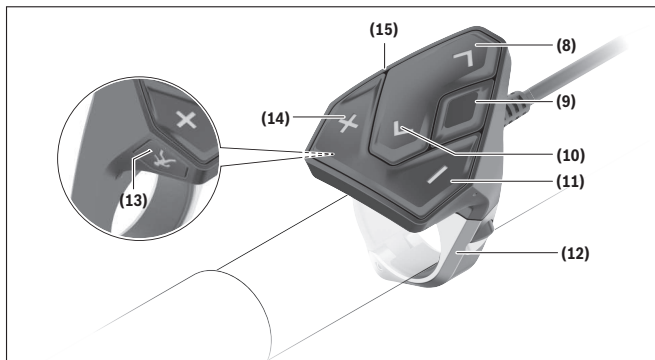
f Affichage unité

g Affichage seconde batterie (optionnel)

h Affichage de niveau de charge de la batterie

i Niveau de charge de la batterie

j Autonomie



- (8) Touche pour parcourir vers l'avant
- (9) Touche de sélection
- (10) Touche pour parcourir vers l'arrière
- (11) Touche Diminution de l'assistance –
- (12) Support de l'unité de commande
- (13) Touche d'assistance au démarrage/à la poussée **WALK**
- (14) Touche pour augmenter le niveau d'assistance +
- (15) Unité de commande

Utilisation conforme

Le SmartphoneHub est spécialement conçu pour une utilisation conjointe avec un système eBike Bosch et pour l'affichage des données de parcours.

Nous nous réservons le droit d'apporter à tout moment des modifications au logiciel pour corriger des erreurs ou pour modifier les fonctionnalités décrites dans la présente notice.

Vous trouverez une description détaillée d'autres fonctions dans la version en ligne de cette notice d'utilisation sous www.Bosch-eBike.com/smartphonehub-manual.

Le **SmartphoneHub** est conçu pour une utilisation avec un smartphone.

Les données de parcours de base apparaissent néanmoins aussi sur l'écran du SmartphoneHub. D'autres informations et fonctions peuvent être ajoutées via l'application pour smartphone



COBI.Bike.

La communication entre le SmartphoneHub et le smartphone s'effectue via une connexion *Bluetooth*®.

Caractéristiques techniques

Ordinateur de bord	SmartphoneHub	
Code produit		CUI100
Courant de charge maxi de la prise USB	mA	1 000
Tension de charge de la prise USB	V	5
Températures de fonctionnement	°F	23 ... 104
Températures de stockage	°F	50 ... 104
Températures de charge	°F	32 ... 104
Accu Li-ion interne	V	3,7
	mAh	300
Indice de protection ^{A)}		IP54

Ordinateur de bord	SmartphoneHub	
Poids (approx.)	kg	0,12

A) quand le cache de protection USB est fermé
Le système eBike de Bosch utilise FreeRTOS (voir <http://www.freertos.org>).

Fonctionnement

Mise en marche

Conditions préalables

Le système eBike ne peut être activé que si les conditions suivantes sont réunies :

- La batterie utilisée est suffisamment chargée (voir la notice d'utilisation de la batterie).
- Le capteur de vitesse est correctement branché (voir la notice d'utilisation de la Drive Unit).

Mise marche/arrêt du système eBike

Pour **mettre en marche** le système eBike, vous avez les possibilités suivantes :

- La batterie étant en place sur le vélo, actionnez la touche Marche/Arrêt **(2)** de l'ordinateur de bord.
- Actionnez la touche Marche/Arrêt de la batterie du vélo électrique (voir la notice d'utilisation de la batterie).

Le système d'entraînement eBike est activé dès que vous appuyez sur les pédales (sauf quand l'assistance à la poussée est active ou avec le niveau d'assistance **OFF**). La puissance du moteur est déterminée par le niveau d'assistance paramétré au niveau de l'ordinateur de bord.

Dès que vous arrêtez de pédaler en mode normal ou dès que vous avez atteint une vitesse de **20 mph**, le système d'entraînement eBike désactive l'assistance. L'entraînement se réactive automatiquement dès que vous vous mettez à pédaler et que la vitesse est inférieure à **20 mph**.

Pour **arrêter** le système eBike, vous avez les possibilités suivantes :

- Actionnez la touche Marche/Arrêt **(2)** de l'ordinateur de bord.
- Désactivez la batterie en actionnant la touche Marche/Arrêt (certains fabricants de vélos proposent des solutions sans accès possible à la touche Marche/Arrêt de la batterie ; voir la notice d'utilisation de la batterie).

Après actionnement de la touche Arrêt, le système se désactive. Cela prend env. 3 s. Une remise en marche n'est possible qu'au terme de cette durée.

Si le système d'entraînement n'est pas sollicité pendant 10 min **et** qu'aucune touche de l'ordinateur n'est actionnée pendant cette durée, le système eBike s'éteint automatiquement pour économiser l'énergie.

Remarque : Désactivez toujours le système eBike lorsque vous garez le vélo électrique.

Remarque : Quand l'accu du SmartphoneHub est déchargé, vous pouvez tout de même activer le système eBike à partir de la batterie du vélo. L'accu du SmartphoneHub se recharge automatiquement dès que la batterie du vélo est activée. L'accu du SmartphoneHub peut aussi être rechargé via la prise USB.

Couplage du SmartphoneHub à un smartphone

Vous pouvez adjoindre d'autres affichages et fonctions au SmartphoneHub en utilisant l'application pour smartphone **COBI.Bike**. Téléchargez pour cela gratuitement l'application dans l'App Store (pour les iPhones Apple) ou dans le Google Play Store (pour les smartphones Android).

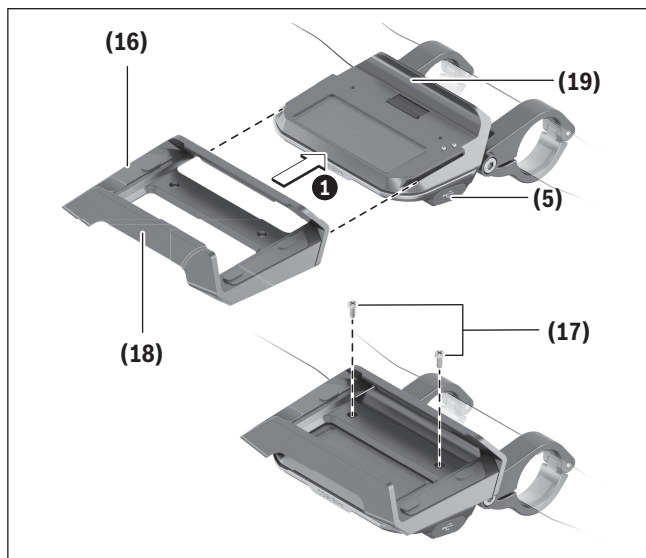
Pour connecter votre SmartphoneHub au smartphone, ouvrez l'application COBI.Bike sur votre smartphone et suivez les instructions de l'application.

Insertion d'un smartphone dans le support universel

Un support universel **(16)** est fourni pour la fixation d'un smartphone. Pour les iPhones, des supports spécifiques sont disponibles dans la gamme d'accessoires. Les supports spécifiques pour iPhones ne nécessitent pas d'alimentation séparée.

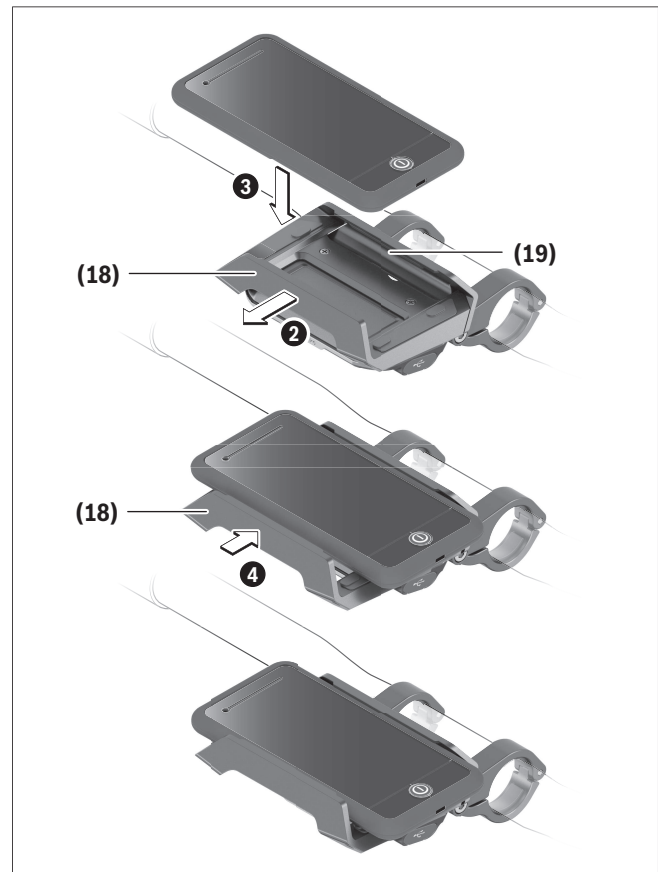
Dans le cas du support universel, l'alimentation (5 V/1 A, maxi 1,5 A) est assurée au moyen d'un câble USB séparé (fourni) via la prise USB micro A/ micro B du SmartphoneHub.

Utilisation du support universel



Glissez par l'avant le support universel **(16)** sur le SmartphoneHub jusqu'à ce qu'il s'enclenche de façon audible **1**. Pour plus de sécurité, vissez les deux vis **(17)** dans le support universel.

Mise en place du smartphone



Tirez l'étrier de maintien avant **(18)** vers l'avant **2**. Positionnez le côté long du smartphone contre l'étrier de maintien arrière **(19)** **3**.

Poussez avec précaution l'étrier de maintien avant **(18)** en direction du smartphone et relâchez-le **4**.

Alimentation en énergie du smartphone (optionnel)

Le smartphone peut être alimenté en énergie (5 V/1 A) au moyen d'un câble USB séparé (fourni) via la prise USB micro A/micro B du SmartphoneHub. Connectez pour cela le smartphone à la prise USB du SmartphoneHub à l'aide du câble USB.

Retrait du smartphone

Poussez vers l'avant le smartphone et en même temps l'étrier de maintien avant avec les deux mains

jusqu'à ce que le smartphone puisse être retiré. Débranchez si présent le câble USB assurant l'alimentation en énergie.

Mise à jour du logiciel

Un message apparaît dans l'application smartphone quand une mise à jour logicielle est disponible pour le SmartphoneHub. Pour effectuer la mise à jour, suivez les instructions qui apparaissent dans l'application.

Restauration (recovery) du SmartphoneHub

Si pour une raison quelconque le SmartphoneHub devait ne plus fonctionner correctement, effectuez une restauration du logiciel. Ouvrez pour cela l'application sur votre smartphone et suivez les instructions.

Alimentation en énergie du SmartphoneHub

Le SmartphoneHub intègre un accu lithium ion polymère (nominal/minimum 300 mAh, 3,7 V) qui ne peut pas être retiré.

Le SmartphoneHub peut être activé avec la touche Marche/Arrêt **(2)** ou avec la touche Marche/Arrêt de la batterie du vélo. Au cas où vous ne parvenez pas à activer le SmartphoneHub, rechargez-le pendant au moins 30 min via un câble USB.

Quand vous n'utilisez pas votre SmartphoneHub, chargez-le tous les 3 mois. Vous pouvez charger l'accu du SmartphoneHub via la prise USB du SmartphoneHub en utilisant n'importe quel chargeur (chargeur secteur, chargeur de smartphone etc).

Activation/désactivation de l'assistance à la poussée

L'assistance à la poussée vous permet de pousser le vélo électrique en exerçant moins d'effort. La vitesse possible avec cette fonction dépend de la vitesse sélectionnée sur le vélo. Elle est au maximum de **3,7 mph**. Elle sera d'autant plus faible (à pleine puissance) que la vitesse sélectionnée est plus petite.

► **La fonction assistance à la poussée ne doit être utilisée que quand vous poussez le vélo élec-**

trique. Les roues du vélo doivent être en contact avec le sol lorsque l'assistance à la poussée est utilisée, sans quoi vous risqueriez de vous blesser.

Pour **activer** l'assistance à la poussée, actionnez brièvement la touche **WALK** sur votre unité de commande (Drive Unit). Après l'activation, appuyez dans les 3 secondes qui suivent sur la touche **+** et maintenez-la enfoncée. L'assistance électrique eBike est alors activée.

Remarque : L'assistance à la poussée n'est pas activable dans le niveau d'assistance **OFF**.

L'assistance à la poussée **se désactive** dès que l'une des situations suivantes se produit :

- Vous relâchez la touche **+**,
- les roues du vélo électrique se bloquent (par ex. si vous actionnez les freins ou heurtez un obstacle),
- la vitesse devient supérieure à **3,7 mph**.

Le fonctionnement de l'assistance de poussée est tributaire de la législation en vigueur dans chaque pays et peut donc différer de ce qui a été indiqué ci-dessus. L'assistance à la poussée peut même être désactivée.

Réglage du niveau d'assistance

Vous pouvez sélectionner avec l'unité de commande **(15)** le niveau d'assistance électrique souhaité lorsque vous pédalez. Le niveau d'assistance peut être modifié à tout moment, même au cours de la conduite.

Remarque : Sur certaines versions, le niveau d'assistance est préréglé et ne peut pas être modifié. Sur d'autres, il peut y avoir moins de niveaux d'assistance que ce qui est indiqué ici.

Les niveaux d'assistance suivants sont disponibles :

- **OFF** : l'assistance électrique est désactivée, le vélo ne peut être utilisé que comme un vélo normal sans assistance. L'assistance à la poussée ne peut pas être activée.
- **ECO** : assistance efficace avec le rendement maximal, pour disposer d'une autonomie maximale

- **TOUR** : assistance régulière, pour de grands trajets et de grandes randonnées
- **SPORT/eMTB** :
SPORT : assistance puissante pour parcours sportifs sur chemins montagneux ainsi que pour la circulation urbaine
eMTB : assistance optimale sur tous terrains, démarrage sportif, dynamique améliorée, performances maximales (**eMTB** seulement disponible en combinaison avec les unités d'entraînement BDU250P CX, BDU365, BDU450 CX et BDU480 CX. Une mise à jour logicielle est parfois nécessaire.)
- **TURBO** : assistance maximale jusqu'à des fréquences de pédalage élevées, pour conduite sportive

Pour **augmenter** le niveau d'assistance, appuyez sur la touche **+** (14) de l'unité de commande, jusqu'à ce que le niveau d'assistance souhaité s'affiche à l'écran. Pour **réduire** le niveau d'assistance, appuyez sur la touche **-** (11).

Activation/désactivation de l'éclairage du vélo

Sur les vélos avec éclairage alimenté par le système eBike, le phare avant et le feu et arrière peuvent être allumés et éteints simultanément par un appui prolongé de la touche **+** (14) de l'unité de commande.

Quand l'éclairage est allumé, un symbole apparaît à l'écran ou dans l'application.

L'éclairage du vélo peut aussi être allumé et éteint à partir de l'application.

Le fait d'allumer ou d'éteindre l'éclairage du vélo n'a aucune incidence sur le rétro-éclairage de l'écran.

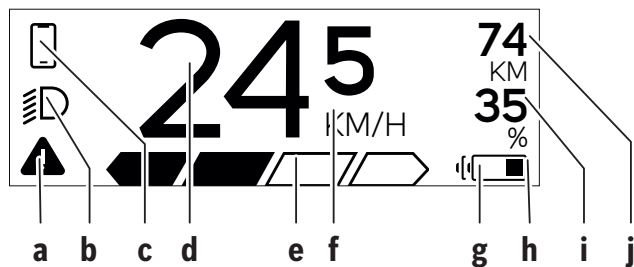
Affichage et configuration du SmartphoneHub

Le SmartphoneHub est relié à l'unité d'entraînement (Drive Unit) via un câble.

Le smartphone est relié mécaniquement au SmartphoneHub via un support de fixation.

Le SmartphoneHub et le smartphone communiquent entre eux via une connexion *Bluetooth*[®].

Le SmartphoneHub possède un écran LCD anti-rayures de 1,52" avec une résolution de 192 x 64 pixels. L'écran intégré est conçu pour une utilisation sans smartphone. L'écran ne permet pas d'afficher le contenu de l'application mobile pour smartphone.



a Affichage de défaut :

Le symbole apparaît en présence d'au moins un défaut dans la mémoire de défauts.

b Affichage éclairage du vélo :

Le symbole apparaît quand l'éclairage est allumé.

c Affichage connexion avec smartphone :

Cet affichage apparaît quand le smartphone est connecté au SmartphoneHub via *Bluetooth*[®].



Cet affichage apparaît quand le smartphone est connecté au SmartphoneHub et qu'en même temps l'application **COBI.Bike** est ouverte sur le smartphone. L'application **COBI.Bike** enregistre alors le parcours.

d Vitesse :

Il apparaît là la vitesse de roulage actuelle.


e Niveau d'assistance



f Affichage de l'unité :
Selon le paramétrage de l'application **COBI.Bike**, la vitesse s'affiche en km/h ou en mph. L'unité par défaut est « km/h ».

g Affichage seconde batterie :
Si le vélo électrique est doté de 2 batteries, il apparaît alternativement le niveau de charge des 2 batteries.

h Affichage de l'état de charge de la batterie :
Le symbole batterie indique le niveau de charge de la batterie.

 La batterie est déchargée ou pas en place.

i Niveau de charge de la batterie en %

j Autonomie de la batterie du vélo électrique :
Il apparaît ici l'autonomie maximale en fonction de l'état de charge de la batterie.

Autres affichages



Un problème est survenu !
Cet affichage de défaut reste affiché jusqu'à ce que l'utilisateur actionne la touche Sélection **(9)** et confirme ainsi qu'il a pris connaissance du défaut. Le triangle d'avertissement reste ensuite affiché sur la gauche du masque écran principal (avec la vitesse, etc.) jusqu'à ce que le défaut ait été supprimé.

HOLD '+' NOW

Le processus d'activation en deux étapes oblige l'utilisateur à actionner d'abord la touche **(13)** puis la touche **+** **(14)** pendant 2 secondes.



Au bout de 2 secondes apparaît le mode Assistance à la poussée.



ENGINE OFF



Cet affichage et le texte représenté à gauche apparaissent quand il ne peut plus y avoir d'assistance électrique eBike suite à la présence de problèmes. C'est par exemple le cas quand la batterie du vélo électrique est déchargée.



Quand la batterie du vélo électrique est en cours de recharge, il apparaît à l'écran son niveau de charge actuel. Le symbole batterie clignote.



Cet affichage apparaît p.ex. quand

- le DiagnosticTool est raccordé ou
- quand une source d'alimentation externe (batterie externe USB p. ex.) est connectée au SmartphoneHub



Quand le niveau de charge de la batterie du vélo électrique est inférieur à 20 %, l'affichage d'état de charge **h** clignote.



Cet affichage apparaît p. ex. quand

- le niveau de charge de la batterie du vélo électrique est faible ou
- aucune batterie de vélo électrique n'est détectée par le système.

L'assistance électrique est désactivée.



INSPECTION DUE

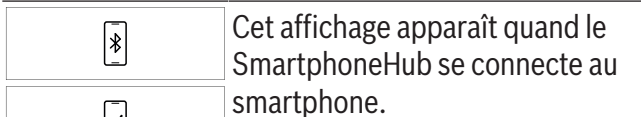
Ces affichages apparaissent quand une maintenance du système eBike est échue.

x x

Cet affichage apparaît en présence de problèmes logiciels. Il

faut effectuer une mise à jour logicielle dans l'application COBI.Bike.

Vous pouvez effectuer vous-même la mise à jour dans l'application **COBI.Bike** ; pas besoin d'aller chez votre revendeur VAE Bosch.



Cet affichage apparaît quand le SmartphoneHub se connecte au smartphone.



La fin de l'appairage *Bluetooth*[®] est signalée par une coche sur le symbole smartphone.



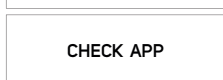
Cet affichage apparaît quand le SmartphoneHub se trouve en mode restauration (il n'est possible d'installer un nouveau logiciel que dans cet état). Le petit symbole *Bluetooth*[®] indique la connexion au smartphone.



À la fin de la restauration apparaît une coche.



Le système de commande n'est pas opérationnel à cause de l'une des causes suivantes :



1. Un ou plusieurs composants incompatibles ont été détectés. Seul un revendeur VAE Bosch peut dans ce cas vous dépanner.
2. Une vieille version de logiciel a été décelée. Cela ne peut être dû qu'à l'installation volontaire d'une version antérieure du logiciel. Le problème peut être résolu en effectuant une mise à jour du logiciel. Suivez pour cela les instructions de l'application **COBI.Bike**.

Après ce message, le système eBike se désactive.

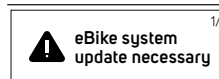


Cet affichage apparaît quand l'application **COBI.Bike** est ouverte et qu'elle se trouve dans le mode Dashboard.



Cet affichage apparaît quand l'application **COBI.Bike** est connectée au SmartphoneHub Bosch et que l'unité d'entraînement attend d'être activée. Procédez pour cela comme suit :

- Appuyez sur le bouton « Start » de l'application **COBI.Bike**.
- Placez le smartphone à l'horizontale pendant que l'application **COBI.Bike** s'ouvre.
- Appuyez sur la touche + de l'unité de commande.



Cet affichage apparaît quand un ou plusieurs composants du vélo ont besoin d'une mise à jour logicielle.

La mise à jour requise ne peut être effectuée que par un revendeur VAE Bosch agréé.

Pour faire disparaître cet affichage, appuyez sur n'importe quelle touche de l'unité de commande. L'affichage apparaît à chaque démarrage du système eBike tant que la mise à jour n'a pas été effectuée. Vous pouvez continuer à utiliser votre vélo électrique normalement. Le chiffre en haut à droite indique le nombre de remarques.

Résolution des problèmes

Les éléments du système eBike sont contrôlés automatiquement en permanence. Si un défaut est détecté, le code de défaut correspondant s'affiche sur l'ordinateur de bord.

Certains défauts déclenchent la désactivation automatique de l'assistance électrique. Il est alors pos-

sible de continuer à rouler mais à la seule force des mollets. Faites contrôler votre vélo électrique avant de l'utiliser pour d'autres trajets.

► **Ne confiez les réparations qu'à un revendeur agréé.**

Code	Cause	Remède
410	Une ou plusieurs touches de l'ordinateur de bord sont bloquées.	Contrôlez si les touches sont coincées, par ex. suite à la pénétration de saletés. Le cas échéant, nettoyez les touches.
414	Problème de connexion de l'unité d'affichage	Faites contrôler les raccordements et connexions
418	Une ou plusieurs touches de l'unité de commande sont bloquées.	Contrôlez si les touches sont coincées, par ex. suite à la pénétration de saletés. Le cas échéant, nettoyez les touches.
419	Erreur de configuration	Redémarrez le système. Si le problème persiste, rendez-vous chez votre revendeur Bosch.
422	Problème de connexion de l'unité d'entraînement	Faites contrôler les raccordements et connexions
423	Problème de connexion de la batterie du vélo électrique	Faites contrôler les raccordements et connexions
424	Erreur de communication des composants entre eux	Faites contrôler les raccordements et connexions
426	Erreur de timeout interne	Redémarrez le système. Si le problème persiste, rendez-vous chez votre revendeur Bosch. Il n'est pas possible, en présence de ce défaut, d'aller dans le menu Configuration de base pour afficher ou modifier la circonférence de pneu.
430	Accu interne de l'ordinateur de bord vide (pas pour BUI350)	Rechargez l'ordinateur de bord (dans son support ou via la prise USB)
431	Erreur de version de logiciel	Redémarrez le système. Si le problème persiste, rendez-vous chez votre revendeur Bosch.
440	Défaut interne de l'unité d'entraînement	Redémarrez le système. Si le problème persiste, rendez-vous chez votre revendeur Bosch.
450	Erreur interne du logiciel	Redémarrez le système. Si le problème persiste, rendez-vous chez votre revendeur Bosch.

Code	Cause	Remède
460	Défaut sur la prise USB	Débranchez le câble de la prise USB de l'ordinateur de bord. Si le problème persiste, rendez-vous chez votre revendeur Bosch.
490	Défaut interne de l'ordinateur de bord	Faites vérifier l'ordinateur de bord
500	Défaut interne de l'unité d'entraînement	Redémarrez le système. Si le problème persiste, rendez-vous chez votre revendeur Bosch.
502	Dysfonctionnement de l'éclairage du vélo	Contrôlez l'éclairage et son câblage. Redémarrez le système. Si le problème persiste, rendez-vous chez votre revendeur Bosch.
503	Défaut du capteur de vitesse	Redémarrez le système. Si le problème persiste, rendez-vous chez votre revendeur Bosch.
504	Manipulation du signal de vitesse détectée.	Contrôlez la position de l'aimant de rayon, corrigez sa position si nécessaire. Vérifiez s'il n'y a pas eu manipulation (tuning). L'assistance est réduite.
510	Défaut interne du capteur	Redémarrez le système. Si le problème persiste, rendez-vous chez votre revendeur Bosch.
511	Défaut interne de l'unité d'entraînement	Redémarrez le système. Si le problème persiste, rendez-vous chez votre revendeur Bosch.
530	Dysfonctionnement de la batterie	Arrêtez le système eBike, retirez la batterie et remettez-la en place. Redémarrez le système. Si le problème persiste, rendez-vous chez votre revendeur Bosch.
531	Erreur de configuration	Redémarrez le système. Si le problème persiste, rendez-vous chez votre revendeur Bosch.
540	Défaut de température	Le vélo électrique se trouve en dehors de la plage de températures admissible. Arrêtez le système eBike et laissez la température de l'unité d'entraînement remonter ou redescendre jusque dans la plage de températures admissibles. Redémarrez le système. Si le problème persiste, rendez-vous chez votre revendeur Bosch.
550	Un consommateur électrique non autorisé a été détecté.	Retirez le consommateur électrique. Redémarrez le système. Si le problème persiste, rendez-vous chez votre revendeur Bosch.
580	Erreur de version de logiciel	Redémarrez le système. Si le problème persiste, rendez-vous chez votre revendeur Bosch.
591	Erreur d'authentification	Arrêtez le système eBike. Retirez la batterie et remettez-la en place. Redémarrez le système. Si le problème persiste, rendez-vous chez votre revendeur Bosch.

Code	Cause	Remède
592	Composant non compatible	Utilisez un écran compatible. Si le problème persiste, rendez-vous chez votre revendeur Bosch.
593	Erreur de configuration	Redémarrez le système. Si le problème persiste, rendez-vous chez votre revendeur Bosch.
595, 596	Erreur de communication	Contrôlez le câblage vers le moyeu et redémarrez le système. Si le problème persiste, rendez-vous chez votre revendeur Bosch.
602	Défaut interne de la batterie	Redémarrez le système. Si le problème persiste, rendez-vous chez votre revendeur Bosch.
603	Défaut interne de la batterie	Redémarrez le système. Si le problème persiste, rendez-vous chez votre revendeur Bosch.
605	Défaut de température de la batterie	La batterie se trouve en dehors de la plage de températures admissible. Arrêtez le système eBike et laissez la batterie revenir dans la plage de températures admissibles. Redémarrez le système. Si le problème persiste, rendez-vous chez votre revendeur Bosch.
606	Défaut externe de la batterie	Vérifiez le câblage. Redémarrez le système. Si le problème persiste, rendez-vous chez votre revendeur Bosch.
610	Défaut de tension de la batterie	Redémarrez le système. Si le problème persiste, rendez-vous chez votre revendeur Bosch.
620	Dysfonctionnement du chargeur	Remplacez le chargeur. Rendez-vous chez votre revendeur Bosch.
640	Défaut interne de la batterie	Redémarrez le système. Si le problème persiste, rendez-vous chez votre revendeur Bosch.
655	Défaut multiple de la batterie	Arrêtez le système eBike. Retirez la batterie et remettez-la en place. Redémarrez le système. Si le problème persiste, rendez-vous chez votre revendeur Bosch.
656	Erreur de version de logiciel	Rendez-vous chez votre revendeur Bosch pour qu'il effectue une mise à jour du logiciel.
7xx	Défaut de composants d'autres fabricants	Consultez la notice d'utilisation du fabricant du composant.
Pas d'affichage	Défaut interne de l'ordinateur de bord	Redémarrez le système eBike en l'éteignant et en le rallumant.

Nettoyage et entretien

Ne nettoyez jamais les composants avec de l'eau sous pression.

Veillez à une bonne propreté de l'écran de votre ordinateur de bord. En cas de présence de saletés, la détection de luminosité ambiante risque de ne plus fonctionner.

Pour nettoyer votre ordinateur de bord, utilisez un chiffon doux, légèrement humide. Utilisez uniquement de l'eau et aucun produit nettoyant.

Faites contrôler votre système eBike au moins une fois par an sur le plan technique (partie mécanique, version du logiciel système, etc.).

Le concessionnaire de vélos peut en plus programmer un certain kilométrage et/ou intervalle de temps comme échéance d'entretien. Quand le prochain entretien est arrivé à échéance, l'ordinateur de bord vous en informe à chaque mise en marche.

Pour le service après-vente ou les réparations sur votre vélo électrique, adressez-vous à un vélociste agréé.

► **Ne confiez les réparations qu'à un revendeur agréé.**

Programme de recyclage des accus



L'unité d'entraînement, l'ordinateur de bord et son unité de commande, la batterie, le capteur de vitesse, les accessoires et l'emballage doivent être triés afin d'être recyclés de façon respectueuse de l'environnement.

Ne jetez pas les systèmes eBike et leurs éléments constitutifs dans les ordures ménagères !



Pour recycler votre batterie Bosch, appelez le 1.800.822.8837.

Índice

Introducción	2
Acerca de las advertencias	2
Advertencias generales	2
Utilización de sus Instrucciones de servicio	2
Operación de su sistema de transmisión Bosch.....	4
Indicaciones de seguridad.....	4
Descripción del producto y servicio	7
Utilización reglamentaria	8
Datos técnicos	8
Operación	9
Indicaciones y configuración del SmartphoneHub.....	12
Resolución de problemas	16
Mantenimiento y limpieza	19
Programa de reciclaje de baterías	20

Introducción

Acerca de las advertencias

Este manual contiene muchos **PELIGROS**, **ADVERTENCIAS**, y **PRECAUCIONES** sobre las consecuencias de una falta de uso, montaje, mantenimiento, almacenamiento, inspección y eliminación de una eBike equipada por Bosch de modo seguro.

- La combinación del símbolo de alerta de seguridad y la palabra **PELIGRO** indica una situación peligrosa que, si no se evita, ocasionará la muerte o lesiones graves.

- La combinación del símbolo de alerta de seguridad y la palabra **ADVERTENCIA** indica una situación peligrosa que, si no se evita, podría provocar la muerte o lesiones graves.
- La combinación del símbolo de alerta de seguridad y la palabra **PRECAUCIÓN** indica una situación peligrosa que, si no se evita, podría ocasionar lesiones leves o moderadas.

Advertencias generales



Lea íntegramente todas las indicaciones de seguridad e instrucciones. No seguir las advertencias e instrucciones siguientes puede provocar la muerte o lesiones graves.

Guarde todas las indicaciones de seguridad e instrucciones para posibles consultas futuras.

El término **batería** empleado en este manual del usuario se refiere a todas las baterías para eBike originales de Bosch.

▲ ADVERTENCIA

- ▶ **Este manual contiene información importante de seguridad, rendimiento y mantenimiento.** Léalo antes de usar su nueva bicicleta y guárdelo a modo de referencia. Puede encontrar el manual también en línea en www.bosch-ebike.com.
- ▶ **Este manual está previsto para su lectura junto con el manual de usuario aparte que venía con su bicicleta.** Antes de usar la bici por primera vez, asegúrese de leer toda la documentación facilitada, incluidas las etiquetas que lleva el producto.

- ▶ **Lea TODOS los manuales incluidos antes de montar en la bicicleta por primera vez.** Su sistema de accionamiento de Bosch incluye manuales y documentación adicionales proporcionados por el fabricante de la bicicleta y de otros componentes. No leer o desconocer la información de seguridad puede provocar la muerte o lesiones graves.
- ▶ **Por su propia SEGURIDAD, sea responsable.** Si tiene dudas o no entiende algo, consúltelo con su distribuidor o con el fabricante de la bicicleta o del componente.
- ▶ **Algunos accesorios de la eBike pueden suponer un peligro de atragantamiento para los niños pequeños.** Mantenga esos accesorios alejados de los niños.

▲ PRECAUCIÓN

- ▶ **El sistema de accionamiento de Bosch incrementa el peso de su bicicleta, que puede que no esté acostumbrado a levantar.** Evite las lesiones; utilice técnicas de elevación adecuadas.

Utilización de sus Instrucciones de servicio

Además de las funciones aquí representadas, puede ser que se introduzcan en cualquier momento modifi-

caciones de software para la eliminación de errores y modificaciones de funciones.

Gráficos

La bicicleta que se muestra en este manual puede diferir ligeramente de la suya; no obstante, las similitudes son suficientes para ayudarle a entender nuestras instrucciones.

Los lados DERECHO e IZQUIERDO se indican mirando en el sentido que la bicicleta tendrá al circular hacia delante. Si ve una línea discontinua (-----), el elemento al que se refiere está oculto a la vista.

Operación de su sistema de transmisión Bosch

Indicaciones de seguridad



Lea íntegramente todas las indicaciones de seguridad e instrucciones. Las faltas de observación de las indicaciones de seguridad y de las instrucciones pueden causar descargas eléctricas, incendios y/o lesiones graves.

Guarde todas las indicaciones de seguridad e instrucciones para posibles consultas futuras.

El término **batería** empleado en este manual del usuario se refiere a todas las baterías para eBike originales de Bosch.

- ▶ **No permita que las indicaciones del ordenador de a bordo le distraigan.** Si no centra su atención exclusivamente en el tráfico, se arriesga a verse implicado en un accidente. Si desea introducir en el ordenador de a bordo datos que van más allá del cambio de nivel de asistencia, deténgase para efectuar dichas entradas.
 - ▶ **El acceso a otras aplicaciones, la lectura de mensajes emergentes u otros contenidos, o el uso del dispositivo mientras se utiliza una ebike pueden causar distracciones.** La conducción distraída es un grave problema de seguridad y puede provocar accidentes que causen lesiones graves o la muerte. Para evitar la distracción al conducir, la mayoría de los dispositivos vienen equipados con un modo "No molestar". El modo "No molestar" debe ser usado mientras se maneja una eBike. Por favor, consulte las instrucciones específicas de su dispositivo para obtener más información. Usted, como conductor de la ebike, es totalmente responsable de garantizar que en todo momento preste atención a las condiciones de la carretera y cumpla con las leyes de tráfico.
 - ▶ **Elija la longitud adecuada del cable de carga USB.** La longitud del cable de carga USB no debe ser lo suficientemente larga como para que se en-
- ganche en el manillar o en la rueda delantera. Esto es importante para prevenir daños personales.
 - ▶ **No intente abrir el ordenador de a bordo.** El ordenador de a bordo se puede destruir al abrirlo y así se pierde el derecho de garantía.
 - ▶ **No utilice el ordenador de a bordo como asidero.** Si se levanta la eBike por el ordenador de a bordo, este puede dañarse irreparablemente.
 - ▶ **No coloque la bicicleta de cabeza en el manillar y el sillín, cuando el SmartphoneHub o su soporte sobresalga del manillar.** El SmartphoneHub o el soporte pueden dañarse irreparablemente.
 - ▶ **¡Cuidado!** El uso del ordenador de a bordo con *Bluetooth*[®] y/o WiFi puede provocar anomalías en otros aparatos y equipos, en aviones y en aparatos médicos (p.ej. marcapasos, audífonos, etc.). Tampoco puede descartarse por completo el riesgo de daños en personas y animales que se encuentren en un perímetro cercano. No utilice el ordenador de a bordo con *Bluetooth*[®] cerca de aparatos médicos, gasolineras, instalaciones químicas, zonas con riesgo de explosión ni en zonas con atmósfera potencialmente explosiva. No utilice el ordenador de a bordo con *Bluetooth*[®] en aviones. Evite el uso prolongado de esta herramienta en contacto directo con el cuerpo.
 - ▶ La marca de palabra *Bluetooth*[®] como también los símbolos (logotipos) son marcas de fábrica registradas y propiedad de Bluetooth SIG, Inc. Cada utilización de esta marca de palabra/símbolo por Bosch eBike Systems tiene lugar bajo licencia.
 - ▶ **El ordenador de a bordo está equipado con una interfaz inalámbrica. Observar las limitaciones locales de servicio, p. ej. en aviones o hospitales.**
 - ▶ **No se deje distraer de la situación del tráfico al usar los productos COBI.Bike y respete siempre**

las leyes de su país que rigen para el servicio permisible de su bicicleta en el tráfico rodado. En particular, está prohibido tomar o sostener el teléfono inteligente con la mano en el tráfico rodado.

- ▶ **Consulte a un médico antes de usar programas de aplicación de fitness (acondicionamiento físico).** Las aplicaciones de acondicionamiento físico pueden exigir físicamente demasiado de las personas.

Indicación: Recomendamos una edad mínima de 10 años para la utilización de los productos COBI.Bike.

Indicaciones de seguridad para la carga del acumulador del ordenador de a bordo

- ▶ **Sólo cargue el ordenador de a bordo con una fuente de alimentación USB (5 V, 1000 mA máx.) y un cable USB con una capacidad de al menos 1000 mA.** El uso de una fuente de alimentación USB o de un cable USB no adecuado para la aplicación puede provocar un incendio, una explosión o lesiones personales.
- ▶ **Cargue el ordenador de a bordo a temperaturas superiores a +32 grados F (0 grados C) e inferiores a +104 grados F (40 grados C). Guarde el ordenador de a bordo en lugares donde la temperatura no exceda los 104 grados F (40 grados C).** Esto es importante para prevenir serios daños a la batería del ordenador de a bordo.
- ▶ **No exponga el ordenador de a bordo al fuego o a una temperatura excesiva.** La exposición al fuego o a temperaturas superiores a los 212 °F (100 °C) puede causar una explosión.
- ▶ **No recargue el ordenador de a bordo (a través del puerto USB) en un entorno húmedo o mojado.** La penetración de agua en el ordenador de a bordo puede provocar una descarga eléctrica o un incendio.
- ▶ **Nunca sumerja el ordenador de a bordo en ningún tipo de fluido ni permita que penetre en él.**

Los fluidos corrosivos o conductores (como el agua de mar o los productos químicos industriales o que contienen lejía, etc.) pueden causar un cortocircuito que puede provocar incendios, lesiones personales y daños materiales.

- ▶ **La fuga de la batería puede ocurrir bajo condiciones extremas de uso o temperatura. Evite el contacto con la piel y los ojos.** El líquido de la batería es cáustico y podría causar quemaduras químicas a los tejidos. Si el líquido entra en contacto con la piel, debe lavarse rápidamente con agua y jabón. Si el líquido entra en contacto con los ojos, lávelos inmediatamente con agua durante un mínimo de 15 minutos y busque atención médica.
- ▶ **Colocar el ordenador de a bordo en superficies planas no inflamables y lejos de materiales inflamables al recargar el ordenador de a bordo utilizando una fuente de alimentación externa USB.** Las alfombras y otras superficies aislantes del calor bloquean la correcta circulación del aire, lo que puede causar un sobrecalentamiento del ordenador de a bordo. Si se observa humo o derretimiento del ordenador de a bordo, desenchufe inmediatamente la fuente de alimentación externa USB y no utilice el ordenador de a bordo. Contacte inmediatamente el servicio de atención al cliente.
- ▶ **Antes de cada uso, compruebe el ordenador de a bordo, el cable y el enchufe.** Si se detectan daños, no utilice el ordenador de a bordo. Daños en el ordenador de a bordo, los cables de carga y los enchufes aumentan el riesgo de incendio, explosión y lesiones personales.
- ▶ **No desarme el ordenador de a bordo.** No hay ninguna pieza utilizable por el usuario en el interior. El reensamblaje incorrecto o los daños pueden provocar un incendio o una explosión.

NOTA: Este equipo cumple con los límites de exposición a la radiación de la FCC establecidos para un ambiente no controlado. Este equipo debe ser instalado y operado con una distancia mínima de 20 cm entre el emisor y su cuerpo. Este transmisor no debe estar

ubicado u operando en conjunto con ninguna otra antena o transmisor:

1. Este dispositivo no debe causar interferencias perjudiciales, y
2. este dispositivo debe admitir cualquier interferencia que se reciba, incluyendo las interferencias que puedan causar un funcionamiento no deseado.

INDICACIÓN: Los cambios o modificaciones realizados en este equipo no aprobados expresamente por Robert Bosch GmbH pueden anular la autorización de la FCC para operar este equipo.

NOTA: Este equipo ha sido probado y cumple con los límites para un dispositivo digital de Clase B, de conformidad con la Parte 15 de las Normas de la FCC. Estos límites están diseñados para proporcionar una protección razonable contra interferencias perjudiciales en una instalación residencial. Este equipo genera, utiliza y puede emitir energía de radiofrecuencia y, si no se instala y utiliza de acuerdo con las instrucciones, puede causar interferencias perjudiciales en las comunicaciones de radio. Sin embargo, no existe garantía de que no se produzcan interferencias en una instalación en particular. Si este equipo causa interferencias perjudiciales en la recepción de radio o televisión, lo cual puede determinarse encendiendo y apagando el equipo, se recomienda al usuario que intente corregir la interferencia mediante una o más de una de las siguientes medidas:

- Reorientar o reubicar la antena receptora.
- Aumente la separación entre el equipo y el receptor.
- Conecte el equipo a una toma de corriente en un circuito diferente al que está conectado el receptor.
- Diríjase al distribuidor o a un técnico de radio/TV experimentado para obtener ayuda.

Información de exposición a la radiación de radiofrecuencia: La potencia de salida irradiada del dispositivo está muy por debajo de los límites de exposición de radiofrecuencia de la FCC. Sin embargo, el dispositivo debe utilizarse de tal manera que se mini-

mice la posibilidad de contacto humano durante el funcionamiento normal.

Notificación ISED (Canadá)

Este dispositivo cumple con los estándares RSS exentos de licencia industrial de Canadá. La operación está sujeta a las siguientes dos condiciones:

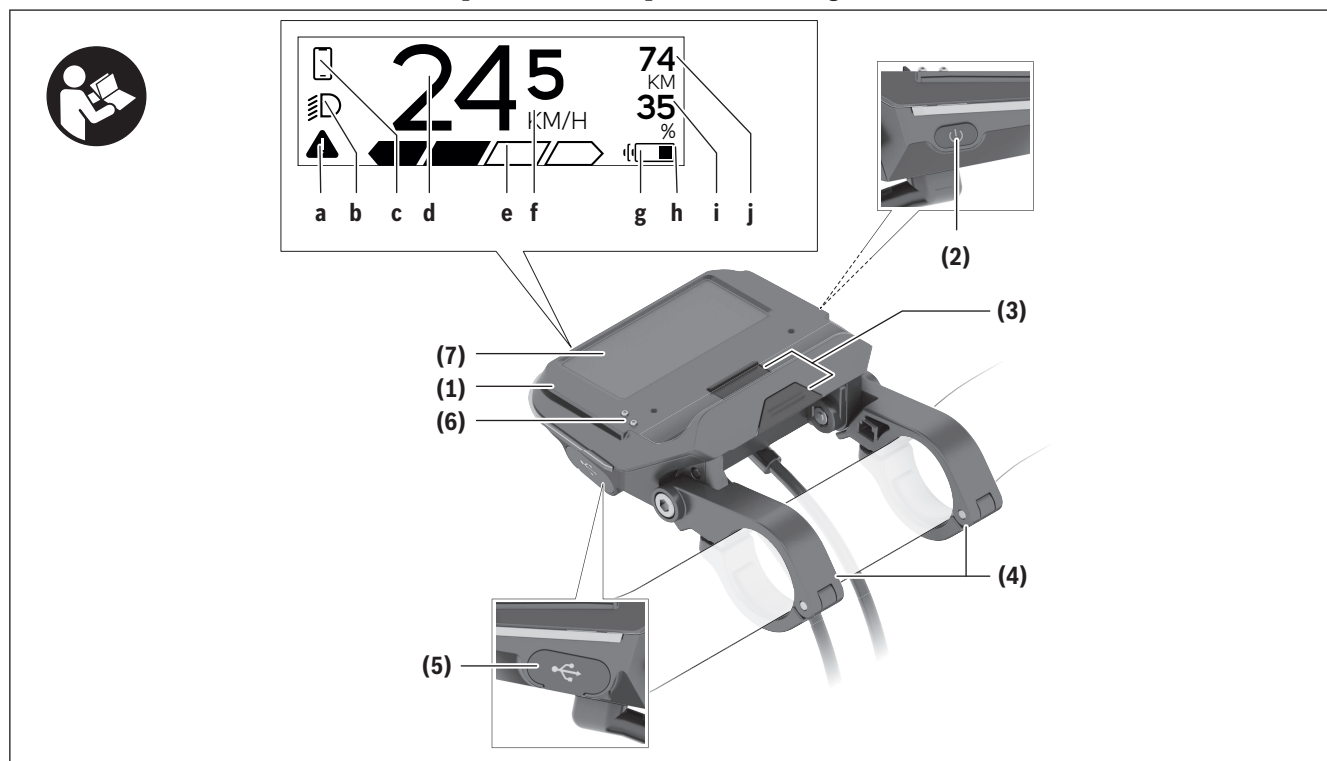
- este dispositivo no causa interferencias, y
- este dispositivo debe aceptar cualquier interferencia, incluida la interferencia que pueda causar un funcionamiento no deseado.

Este equipo cumple con los límites de exposición a la radiación de la FCC establecidos para un ambiente no controlado. Este equipo debe ser instalado y operado con una distancia mínima de 20 cm entre el emisor y su cuerpo. Este transmisor no debe estar ubicado u operando en conjunto con ninguna otra antena o transmisor.

Indicación de protección de datos

Si el SmartphoneHub se envía al Servicio de Bosch en caso de servicio, los datos almacenados en el dispositivo pueden transmitirse a Bosch.

Descripción del producto y servicio

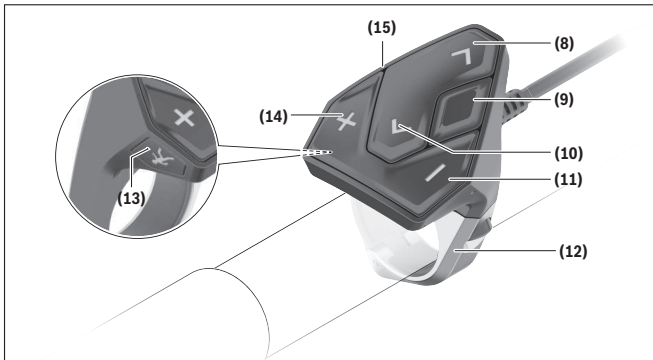


- (1)** SmartphoneHub
- (2)** Tecla de conexión/desconexión del SmartphoneHub
- (3)** Palanca de desenclavamiento del soporte para el teléfono inteligente
- (4)** Soporte del SmartphoneHub^{A)}
- (5)** Capuchón del puerto USB
- (6)** Alimentación de corriente del soporte del teléfono inteligente
- (7)** Display (pantalla)

A) En el caso de la fijación en el manillar, las soluciones específicas para el cliente también son posibles sin las abrazaderas del manillar.

Elementos de indicación del SmartphoneHub

- a** Indicador de fallos
- b** Indicador de la iluminación de la bicicleta
- c** Indicador de la conexión del teléfono inteligente
- d** Velocidad
- e** Indicador de nivel de asistencia
- f** Indicador de unidad
- g** Indicador de segundo acumulador (opcional)
- h** Indicador del estado de carga del acumulador
- i** Nivel de llenado del acumulador
- j** Alcance



- (8) Tecla para hojear hacia delante
- (9) Tecla de selección
- (10) Tecla para hojear hacia atrás
- (11) Tecla para reducir la asistencia -
- (12) Soporte de la unidad de manejo
- (13) Tecla de arranque asistido/asistencia para empujar caminando **WALK**
- (14) Tecla para aumentar la asistencia +
- (15) Cuadro de mandos

Utilización reglamentaria

El SmartphoneHub está previsto para el control de un sistema eBike de Bosch y para mostrar los datos del viaje.

Además de las funciones aquí representadas, puede ser que se introduzcan en cualquier momento modificaciones de software para la eliminación de errores y modificaciones de funciones.

La descripción de las funciones adicionales se puede encontrar en la versión online de este manual en www.Bosch-eBike.com/smartphonehub-manual.

El **SmartphoneHub** está diseñado para su utilización con un teléfono inteligente.

No obstante, los datos básicos de conducción también se muestran en la pantalla de SmartphoneHub. Información y funciones adicionales se pueden agregar a través de la aplicación para teléfonos inteligentes **COBI.Bike**.

La comunicación entre SmartphoneHub y teléfono inteligente tiene lugar a través de una conexión *Bluetooth*[®].



Datos técnicos

Ordenador de a bordo		SmartphoneHub
Código de producto		CUI100
Corriente de carga USB, máx.	mA	1000
Tensión de carga en puerto USB	V	5
Temperatura de servicio	°F	23 ... 104
Temperatura de almacenamiento	°F	50 ... 104
Temperatura de carga	°F	32 ... 104
Acumulador de iones de litio interno	V mAh	3,7 300
Protección ^{A)}		IP54

Ordenador de a bordo		SmartphoneHub
Peso, aprox.	kg	0,12

A) con cubierta de USB cerrada

El sistema eBike de Bosch utiliza FreeRTOS (ver <http://www.freertos.org>).

Operación

Puesta en marcha

Requisitos

El sistema eBike solamente puede activarse cuando se cumplen las siguientes condiciones:

- Se ha colocado una batería con suficiente carga (véanse las instrucciones de uso de la batería).
- El sensor de velocidad está conectado correctamente (véanse las instrucciones de uso del motor).

Conexión/desconexión del sistema eBike

Usted tiene las siguientes opciones para **conectar** el sistema eBike:

- Con el acumulador de la eBike instalado, pulse la tecla de conexión/desconexión **(2)** del ordenador de a bordo.
- Pulse la tecla de conexión/desconexión de la batería de la eBike (véanse las instrucciones de uso de la batería).

El motor se activa al empezar a pedalear (excepto en la función de asistencia para empujar caminando o en el nivel de asistencia **OFF**). La potencia del motor depende del nivel de asistencia ajustado en el ordenador de a bordo.

En cuanto deje de pedalear en el funcionamiento normal o en cuanto alcance una velocidad de **20 mph**, se desconecta la asistencia del accionamiento de la eBike. El accionamiento se activa de nuevo automáticamente en cuanto padelee y su velocidad esté por debajo de **20 mph**.

Usted tiene las siguientes opciones para **desconectar** el sistema eBike:

- Pulse la tecla de conexión/desconexión **(2)** del ordenador de a bordo.
- Desconecte el acumulador de la eBike en su tecla de conexión/desconexión (puede haber soluciones de fabricantes de bicicletas que no tengan acceso a la tecla de conexión/desconexión de la batería; véase el manual de instrucciones del fabricante de la bicicleta).

Tras la desconexión, se apaga el sistema. Esto demora aprox. 3 s. Un reinicio inmediato sólo vuelve a ser posible cuando se completa el apagado.

Si no se mueve la eBike durante unos 10 minutos **y** no se pulsa ninguna tecla en el ordenador de a bordo, el sistema eBike se apaga automáticamente por razones de ahorro de energía.

Indicación: Cuando estacione la eBike, desconecte siempre el sistema eBike.

Indicación: Si el acumulador del SmartphoneHub está descargado, todavía puede encender su eBike en el acumulador de la eBike. El acumulador del SmartphoneHub se carga automáticamente, tan pronto como se enciende el acumulador de la eBike. Alternativamente, el acumulador del SmartphoneHub se puede cargar a través de la conexión USB.

Acoplamiento del SmartphoneHub con un teléfono inteligente

Puede ampliar las indicaciones y las funciones del SmartphoneHub con la aplicación de teléfono inteligente **COBI.Bike**. Descargue la aplicación gratuita desde el App Store (para Apple iPhones) o desde el Google Play Store (para dispositivos Android).

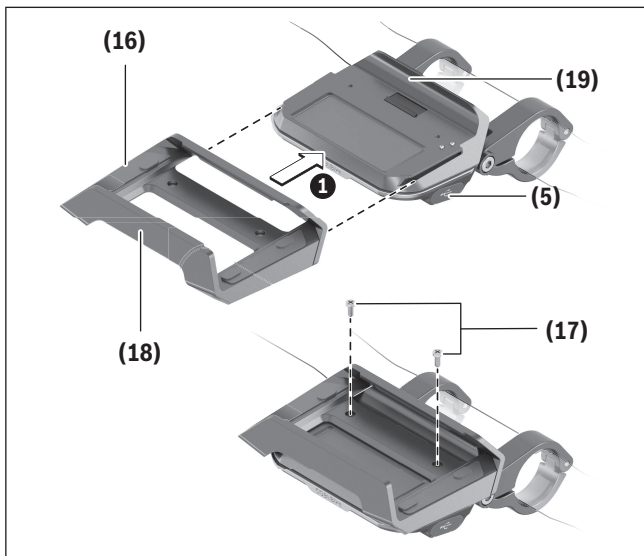
Para conectar su SmartphoneHub a su teléfono inteligente, abra la aplicación COBI.Bike en su teléfono inteligente y siga las instrucciones de la aplicación.

Montaje de un teléfono inteligente en el soporte universal

Para la fijación de un teléfono inteligente se adjunta al suministro un soporte universal **(16)**. Para iPhones se pueden adquirir soportes específicos para iPhone a través del programa de accesorios. En el caso de un soporte para iPhone, no se necesita una alimentación de corriente separada.

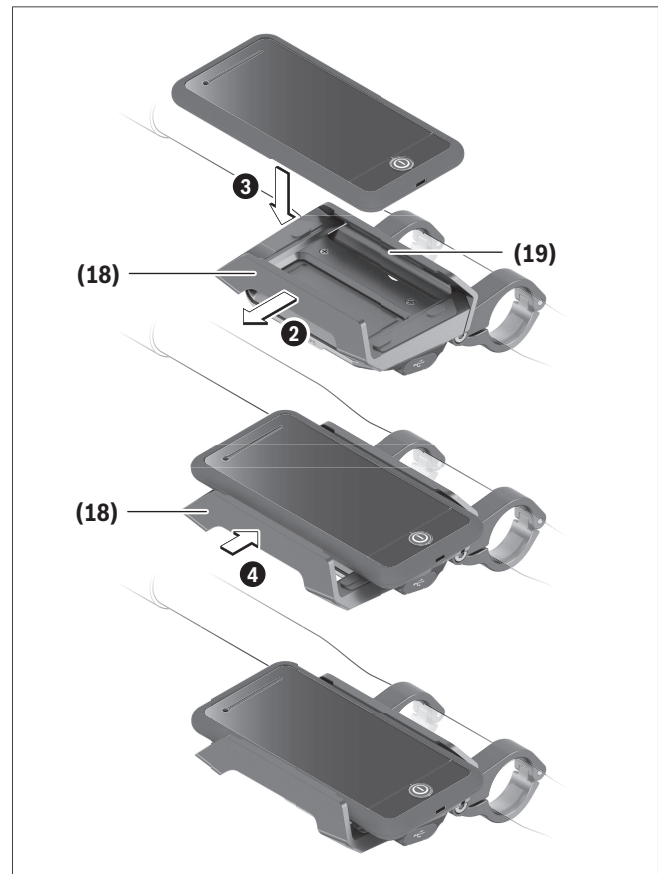
En el caso del soporte universal, la alimentación de corriente (5 V/1 A, máx. 1,5 A) tiene lugar a través de un cable USB separado (incluido en el volumen de suministro) desde el puerto USB micro A/B del SmartphoneHub.

Montaje del soporte universal



Desplace el soporte universal **(16)** desde delante sobre el SmartphoneHub, hasta que encaje de forma audible **1**. Con los dos tornillos de fijación **(17)** se puede fijar adicionalmente el soporte universal.

Montaje del teléfono inteligente



Tire el estribo de sujeción delantero **(18)** hacia delante **2**.

Coloque el teléfono inteligente con el lado largo en el estribo de sujeción trasero **(19)** **3**.

Deje deslizar el estribo de sujeción delantero **(18)** lentamente hacia el teléfono inteligente y suéltelo **4**.

Alimentación de energía para el teléfono inteligente (opcional)

El teléfono inteligente se puede alimentar con un cable USB separado (incluido en el volumen de suministro) a través del puerto USB micro A/B del SmartphoneHub con energía (5 V/1 A). Para ello, conecte el teléfono inteligente a través del cable USB con la hembra USB del SmartphoneHub.

Desmontaje del teléfono inteligente

Con ambas manos, empuje hacia delante el teléfono inteligente y así al mismo tiempo el estribo de sujeción delantero, hasta que se pueda sacar el teléfono inteligente del soporte universal. Si es necesario, desconecte el cable USB de la fuente de alimentación.

Actualización de software

Si hay una actualización de software disponible para el SmartphoneHub, se muestra una notificación en la aplicación del teléfono inteligente. Siga las instrucciones en la aplicación para realizar la actualización.

Restablecimiento del SmartphoneHub (Recovery)

Realice el restablecimiento del SmartphoneHub, si éste ya no funciona correctamente. Para ello, abra la aplicación en su teléfono inteligente y siga las instrucciones.

Alimentación de energía del SmartphoneHub

El SmartphoneHub tiene un acumulador interno de un polímero de iones de litio (nominal/mínimo 300 mAh, 3,7 V), que no se puede extraer.

El SmartphoneHub se puede conectar a través de una tecla de conexión/desconexión **(2)** o la tecla de conexión/desconexión en el acumulador de la eBike. Si el SmartphoneHub no se puede encender, debe cargarse a través de un cable USB durante al menos 30 minutos.

Si no está usando su SmartphoneHub, recargue el SmartphoneHub cada 3 meses. Puede cargar el acumulador del SmartphoneHub a través del puerto USB del SmartphoneHub con cualquier fuente de alimentación, cargador de teléfono inteligente, etc.

Conexión/desconexión de la Ayuda para empuje

La asistencia de empuje puede facilitarle el empuje de la eBike. La velocidad en esta función depende de la marcha acoplada y puede alcanzar como máximo

3,7 mph. Cuanto más pequeña sea la marcha elegida, tanto menor es la velocidad lograda en la función de ayuda para empuje (a plena potencia).

► **La función de asistencia de empuje se debe usar exclusivamente al empujar la eBike.** Si las ruedas de la eBike no están en contacto con el suelo cuando se usa la asistencia de empuje, existe riesgo de lesiones.

Para **activar** la asistencia de empuje caminando, pulse brevemente la tecla **WALK** de su unidad de mando. Tras la activación, pulse la tecla **+** antes de que pasen 3 segundos y manténgala pulsada. Se conecta el accionamiento de la eBike.

Indicación: La asistencia de empuje no se puede activar en el nivel de asistencia **OFF**.

La asistencia para empujar caminando se **desconecta** en cualquiera de los siguientes casos:

- Al soltar la tecla **+**,
- al bloquearse las ruedas de la eBike (p.ej. debido a una frenada o un choque con un obstáculo);
- al superar la velocidad los **3,7 mph**.

El funcionamiento de la asistencia está sujeto a las disposiciones específicas del país y, por consiguiente, puede diferir de la descripción mencionada anteriormente o estar desactivada.

Ajuste del modo de asistencia

En la unidad de mando **(15)** puede ajustar el nivel de asistencia del accionamiento de la eBike al pedalear. Este nivel de asistencia se puede modificar en cualquier momento, también durante la marcha.

Indicación: En algunas ejecuciones es posible que el nivel de asistencia esté preajustado y no se pueda cambiar. También es posible que no exista una diversidad de modos de asistencia tan amplia como la aquí indicada.

A lo sumo están disponibles los siguientes modos de asistencia:

- **OFF:** La asistencia del motor está apagada, la eBike se puede mover como una bicicleta normal pedaleando. La asistencia de empuje no se puede activar en este nivel de asistencia.
- **ECO:** asistencia efectiva con la máxima eficiencia, para una autonomía máxima
- **TOUR:** asistencia uniforme, para viajes con gran autonomía
- **SPORT/eMTB:**
 - SPORT:** asistencia potente para la conducción deportiva en rutas montañosas, así como para el tráfico urbano
 - eMTB:** asistencia óptima en todo terreno, arranque deportivo, dinámica mejorada, máximo rendimiento (**eMTB** disponible únicamente en combinación con las unidades motrices BDU250P CX, BDU365, BDU450 CX y BDU480 CX. También puede requerirse una actualización del sistema.)

- **TURBO:** asistencia máxima, incluso al pedalear velozmente, para una conducción deportiva
- Para **augmentar** el nivel de asistencia, pulse la tecla **+** (**14**) de la unidad de mando las veces necesarias, hasta que el indicador muestre el nivel de asistencia deseado; para **reducir** pulse la tecla **-** (**11**).

Conectar/desconectar la iluminación de la bicicleta

En el modelo en el que la luz de marcha se alimenta mediante el sistema eBike, las luces, delantera y trasera, se pueden conectar y desconectar simultáneamente con la tecla **+** (**14**) en la unidad de mando.

Con la luz conectada, se indica un símbolo en el display o en la aplicación.

Alternativamente, la luz también se puede encender y apagar a través de la aplicación.

El hecho de conectar o desconectar la iluminación de la bicicleta no tiene ningún efecto en la iluminación de fondo de la pantalla.

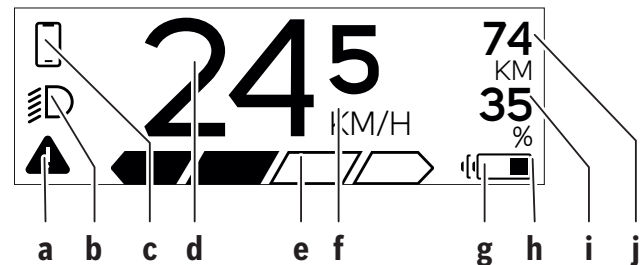
Indicaciones y configuración del SmartphoneHub

El SmartphoneHub está conectado a la unidad motriz a través de un cable.

El teléfono inteligente está conectado mecánicamente al SmartphoneHub a través de una fijación para teléfono inteligente.

La comunicación entre SmartphoneHub y teléfono inteligente tiene lugar a través de *Bluetooth*[®].

El SmartphoneHub tiene una pantalla LCD de 1.52" resistente a los arañazos con una resolución de 192 × 64 píxeles. La pantalla integrada es adecuada para su uso sin un teléfono inteligente correspondiente. La pantalla incorporada no puede mostrar contenidos de las aplicaciones del teléfono inteligente.



a Indicación de error:


La indicación aparece si hay al menos un error presente en la memoria de errores.

b Indicación de luces de bicicleta:

La indicación aparece cuando la luz está encendida.

c Indicación de conexión de teléfono inteligente:

Esta indicación aparece, cuando el teléfono inteligente está conectado a través de *Bluetooth*[®] con el SmartphoneHub.

 Esta indicación aparece, cuando el teléfono inteligente está conectado con el SmartphoneHub y simultáneamente está abierta la aplicación **COBI.Bike** en el teléfono inteligente. En este ajuste, la aplicación **COBI.Bike** registra el recorrido.

d Velocidad:

Aquí se muestra la velocidad actual.

e Indicador de nivel de asistencia



f Indicación de unidad:


En dependencia de la aplicación **COBI.Bike**, la velocidad se puede mostrar en km/h o mph. Preajustado de modo estándar está km/h.

g Indicación de segundo acumulador:

Si la eBike está equipada con 2 acumuladores, se muestran 2 acumuladores uno tras otro.

h Indicación del estado de carga del acumulador:

El símbolo de batería indica el estado de carga actual del acumulador.

 El acumulador está descargado o no está colocado.

i Nivel de llenado del acumulador en tanto por ciento

j Autonomía del acumulador de la eBike:

En dependencia del estado de carga del acumulador, se indica aquí la máxima autonomía.

Otras indicaciones



¡Se ha presentado un error!
La indicación de error permanece en la pantalla, hasta que el usuario presiona la tecla de selección **(9)** y confirmando así la recepción del error. A continuación, el triángulo de advertencia permanece en la vista de la pantalla principal (velocidad, etc.), hasta que se corrija el error.

HOLD '+' NOW

En el proceso de activación de dos pasos, tras presionar la tecla **(13)** se requiere del conductor que presione la tecla **+** **(14)** durante 2 segundos.



Tras 2 segundos se indica el modo asistencia de empuje.

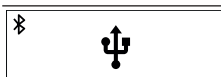


ENGINE OFF

Esta indicación y el texto que se muestra a la izquierda aparecen cuando no hay asistencia de la unidad motriz debido a problemas. Éste es el caso, cuando p.ej. el acumulador de la eBike está descargado.



Cuando el acumulador de la eBike se está cargando, la pantalla muestra el nivel de llenado actual. El símbolo de la batería parpadea.



Esta indicación aparece, cuando p.ej.

- está conectada la herramienta DiagnosticTool o
- una fuente de alimentación externa está conectada al SmartphoneHub (p.ej., un Powerbank)




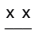


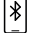



Si el estado de carga del acumulador de la eBike es inferior al 20 %, el indicador de carga del acumulador **h** parpadea.



Esta indicación aparece, cuando p.ej.


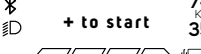

- el estado de carga del acumulador de la eBike es bajo o
- el sistema no detecta ningún acumulador de la eBike.

La asistencia se desconecta.

	Estas indicaciones aparecen, cuando la eBike ha alcanzado la fecha de servicio.
INSPECTION DUE	
	Esta indicación aparece, si hay problemas de software. Se debe llevar a cabo una actualización del software en la aplicación COBI.Bike.
	Esta indicación aparece, si hay problemas de software. Se debe llevar a cabo una actualización del software en la aplicación COBI.Bike.
	Puede realizar la actualización de forma autónoma en la aplicación COBI.Bike y no necesita acudir a un distribuidor de eBike de Bosch.
	Esta indicación aparece, cuando el SmartphoneHub se conecta con teléfono inteligente.
	La finalización del emparejamiento de <i>Bluetooth</i> [®] se indica con un gancho en el símbolo pequeño del teléfono inteligente.
	Esta indicación aparece cuando el SmartphoneHub está en el modo de recuperación (solamente en este estado puede instalar nuevo software). El símbolo pequeño <i>Bluetooth</i> [®] indica la conexión al teléfono inteligente.
	Esta indicación aparece cuando el SmartphoneHub está en el modo de recuperación (solamente en este estado puede instalar nuevo software). El símbolo pequeño <i>Bluetooth</i> [®] indica la conexión al teléfono inteligente.
	La finalización de la recuperación se indica con un gancho.
	Su sistema operativo no está listo para funcionar por las siguientes razones:
CHECK APP	1. Se detectan uno o más componentes incompatibles. Este estado solamente puede ser subsanado por un distribuidor de eBike de Bosch.
	2. Se reconoce un software antiguo. Esto sólo se puede haber

logrado mediante la degradación intencional del software. El problema se puede resolver con una actualización de software, por favor siga las instrucciones de la aplicación **COBI.Bike**.

Después de este mensaje, el sistema eBike se apaga.

	Esta indicación aparece, cuando la aplicación COBI.Bike está abierta y se encuentra en el modo panel de control Dashboard.
APP MODE	Esta indicación aparece, cuando la aplicación COBI.Bike está abierta y se encuentra en el modo panel de control Dashboard.
	Esta indicación aparece, cuando la aplicación COBI.Bike está conectada con el SmartphoneHub de Bosch y la unidad motriz está esperando a ser activada. Para ello, realice una de las siguientes acciones:
	– Presione el botón "Start" en la aplicación COBI.Bike .
	– Gire el teléfono inteligente a una posición horizontal mientras la aplicación COBI.Bike está abierta.
	– Presione la tecla + de la unidad de mando.
	Esta indicación aparece, cuando uno o más componentes de la eBike requieren una actualización de software.
eBike system update necessary	Esta indicación aparece, cuando uno o más componentes de la eBike requieren una actualización de software.
	La actualización sólo puede ser realizada por un distribuidor autorizado de eBike de Bosch.
	La indicación puede ocultarse pulsando cualquier tecla de la unidad de control. La indicación aparece en cada inicio del sistema de eBike hasta que se haya comple-

tado la actualización. Puede seguir utilizando su eBike sin restricciones. El número de la esquina superior derecha le muestra la cantidad de indicaciones.

Resolución de problemas

Los componentes del sistema de la eBike se comprueban constantemente de forma automática. Si se determina un error, se muestra el correspondiente código de error en el ordenador de a bordo.

Dependiente del tipo de fallo, el accionamiento se puede desconectar automáticamente. La continua-

ción del viaje sin asistencia por el accionamiento es posible en cualquier momento. Antes de emprender otros recorridos, la eBike debe ser revisada.

► **Encargue todas las reparaciones únicamente a un distribuidor de bicicletas autorizado.**

Código	Causa	Remedio
410	Se han bloqueado una o más teclas del ordenador de a bordo.	Compruebe si hay teclas atascadas, p. ej. por penetración de suciedad. Si procede, limpie las teclas.
414	Problema de conexión de la unidad de mando	Encargue la revisión de las conexiones y las uniones
418	Se han bloqueado una o varias teclas del ordenador de a bordo.	Compruebe si hay teclas atascadas, p. ej. por penetración de suciedad. Si procede, limpie las teclas.
419	Fallo de configuración	Reinicie el sistema. Si el problema persiste, contacte con su distribuidor de eBike Bosch.
422	Problema de conexión en la unidad motriz	Encargue la revisión de las conexiones y las uniones
423	Problema de conexión de la batería de la eBike	Encargue la revisión de las conexiones y las uniones
424	Error de comunicación entre los componentes	Encargue la revisión de las conexiones y las uniones
426	Fallo interno de superación de tiempo	Reinicie el sistema. Si el problema persiste, contacte con su distribuidor de eBike Bosch. En este estado de error, no es posible visualizar o ajustar el perímetro del neumático en el menú de configuración básica.
430	La batería interna del ordenador de a bordo está descargada (no con BUI350)	Cargar el ordenador de a bordo (en el soporte o mediante el puerto USB)
431	Error de versión del software	Reinicie el sistema. Si el problema persiste, contacte con su distribuidor de eBike Bosch.
440	Fallo interno de la unidad motriz	Reinicie el sistema. Si el problema persiste, contacte con su distribuidor de eBike Bosch.
450	Error interno de software	Reinicie el sistema. Si el problema persiste, contacte con su distribuidor de eBike Bosch.
460	Error en la conexión USB	Retire el cable de la conexión USB del ordenador de a bordo. Si el problema persiste, contacte con su distribuidor de eBike Bosch.

Código	Causa	Remedio
490	Error interno del ordenador de a bordo	Encargue la revisión del ordenador de a bordo
500	Fallo interno de la unidad motriz	Reinicie el sistema. Si el problema persiste, contacte con su distribuidor de eBike Bosch.
502	Fallo en la iluminación de la bicicleta	Compruebe la luz y el cableado correspondiente. Reinicie el sistema. Si el problema persiste, contacte con su distribuidor de eBike Bosch.
503	Fallo del sensor de velocidad	Reinicie el sistema. Si el problema persiste, contacte con su distribuidor de eBike Bosch.
504	Se ha detectado una manipulación de la señal de velocidad.	Compruebe la posición del imán de memoria y ajústela si es necesario. Comprobar si existe manipulación (tuneo). La asistencia del accionamiento disminuye.
510	Avería interna del sensor	Reinicie el sistema. Si el problema persiste, contacte con su distribuidor de eBike Bosch.
511	Fallo interno de la unidad motriz	Reinicie el sistema. Si el problema persiste, contacte con su distribuidor de eBike Bosch.
530	Fallo del acumulador	Desconecte la eBike, extraiga el acumulador del mismo y vuelva a colocarlo. Reinicie el sistema. Si el problema persiste, contacte con su distribuidor de eBike Bosch.
531	Fallo de configuración	Reinicie el sistema. Si el problema persiste, contacte con su distribuidor de eBike Bosch.
540	Fallo de temperatura	La eBike se encuentra fuera del rango de temperatura permitido. Desconecte el sistema eBike y deje que la unidad motriz se enfríe o se caliente para que se sitúe en el rango de temperatura permitido. Reinicie el sistema. Si el problema persiste, contacte con su distribuidor de eBike Bosch.
550	Se ha detectado un consumidor no autorizado.	Elimine el consumidor. Reinicie el sistema. Si el problema persiste, contacte con su distribuidor de eBike Bosch.
580	Error de versión del software	Reinicie el sistema. Si el problema persiste, contacte con su distribuidor de eBike Bosch.
591	Error de autenticación	Desconecte el sistema eBike. Extraiga el acumulador y vuelva a instalarlo. Reinicie el sistema. Si el problema persiste, contacte con su distribuidor de eBike Bosch.
592	Componentes incompatibles	Utilizar una pantalla compatible. Si el problema persiste, contacte con su distribuidor de eBike Bosch.
593	Fallo de configuración	Reinicie el sistema. Si el problema persiste, contacte con su distribuidor de eBike Bosch.

Código	Causa	Remedio
595, 596	Error de comunicación	Compruebe el cableado hasta la caja de cambios y reinicie el sistema. Si el problema persiste, contacte con su distribuidor de eBike Bosch.
602	Fallo interno del acumulador	Reinicie el sistema. Si el problema persiste, contacte con su distribuidor de eBike Bosch.
603	Fallo interno del acumulador	Reinicie el sistema. Si el problema persiste, contacte con su distribuidor de eBike Bosch.
605	Fallo de temperatura del acumulador	El acumulador se encuentra fuera del rango de temperatura permitido. Desconecte el sistema eBike y deje que el acumulador se enfríe o se caliente para que se sitúe en el rango de temperatura permitido. Reinicie el sistema. Si el problema persiste, contacte con su distribuidor de eBike Bosch.
606	Fallo externo del acumulador	Compruebe el cableado. Reinicie el sistema. Si el problema persiste, contacte con su distribuidor de eBike Bosch.
610	Fallo de tensión del acumulador	Reinicie el sistema. Si el problema persiste, contacte con su distribuidor de eBike Bosch.
620	Fallo del dispositivo de carga	Sustituya el dispositivo de carga. Contacte con su distribuidor de eBike Bosch.
640	Fallo interno del acumulador	Reinicie el sistema. Si el problema persiste, contacte con su distribuidor de eBike Bosch.
655	Fallo múltiple del acumulador	Desconecte el sistema eBike. Extraiga el acumulador y vuelva a instalarlo. Reinicie el sistema. Si el problema persiste, contacte con su distribuidor de eBike Bosch.
656	Error de versión del software	Contacte con su distribuidor de eBike Bosch para que le actualicen el software.
7xx	Error en componentes de terceros	Observe las indicaciones del manual de instrucciones de uso del fabricante del componente correspondiente.
Ninguna indicación	Error interno del ordenador de a bordo	Reinicie el sistema eBike apagándolo y volviéndolo a encender.

Mantenimiento y limpieza

Todos los componentes no deben limpiarse con agua a presión.

Mantenga limpia la pantalla de su ordenador de a bordo. La suciedad puede afectar a la luminosidad de la pantalla.

Para limpiar el ordenador de a bordo, utilice un paño suave, humedecido únicamente con agua. No utilice productos de limpieza.

Deje revisar su sistema eBike al menos una vez al año (entre otros el sistema mecánico, la actualización del software del sistema).

Adicionalmente, el distribuidor de bicicletas puede tomar como base un kilometraje y/o un intervalo de tiempo para fijar la fecha del servicio. En ese caso, el ordenador de a bordo le mostrará el vencimiento de la fecha de mantenimiento al encender el ordenador.

Para el servicio o las reparaciones de la eBike, contáctese con un distribuidor de bicicletas autorizado.

► **Encargue todas las reparaciones únicamente a un distribuidor de bicicletas autorizado.**

Programa de reciclaje de baterías



La unidad de accionamiento, el ordenador de a bordo incl. la unidad de mando, el acumulador, el sensor de velocidad, los accesorios y los embalajes deben reciclarse de forma respetuosa con el medio ambiente.

¡No arroje eBikes y sus componentes a la basura!



Puede reciclar su paquete de baterías de Bosch llamando al 1.800.822.8837.