

Cette notice contient d'importantes informations sur la sécurité, les performances et l'entretien. Lisez-les et comprenez-les ainsi que les informations fournies par le fabricant de votre vélo avant d'utiliser le produit, et conservez-les pour référence ultérieure.

## Owner's Manual – The Bosch Drive System Nyon

BUI350



**Robert Bosch GmbH**  
72757 Reutlingen  
Germany

[www.bosch-ebike.com](http://www.bosch-ebike.com)

1 270 U20 BN2 (2020.05) T / 97



**Este manual contiene información importante de seguridad, rendimiento y mantenimiento. Léalo y asegúrese de entenderlo junto con la información que le ha facilitado el fabricante de su bicicleta antes de usar el producto; guárdelo a modo de referencia.**

**en** Original operating instructions  
**fr** Notice d'utilisation d'origine  
**es** Instrucciones de servicio originales

**This manual contains important safety, performance and service information. Read and understand it along with the information provided to you by your bicycle manufacturer before using the product, and keep it for reference.**



# Table of Contents

Introduction .....	2
About Warnings .....	2
General Warnings .....	2
Using your Manual .....	2
Operating your Bosch Drive System .....	4
Safety instructions .....	4
Product Description and Specifications .....	8
Assembly .....	11
Operation .....	12
Displays and settings of the on-board computer .....	18
Troubleshooting .....	27
Maintenance and cleaning .....	30
Battery Recycling Program .....	31

# Introduction

## About Warnings

This manual contains many **DANGER**, **WARNING**, and **CAUTION** indicators concerning the consequences of failure to use, assemble, maintain, store, inspect and dispose of a Bosch-equipped eBike in a safe manner.

- The combination of the safety alert symbol and the word **DANGER** indicates a hazardous situation that, if not avoided, will result in death or serious injury.
- The combination of the safety alert symbol and the word **WARNING** indicates a hazardous situation that, if not avoided, could result in death or serious injury.
- The combination of the safety alert symbol and the word **CAUTION** indicates a hazardous situation that, if not avoided, could result in minor or moderate injury.

## General Warnings



**Read all safety warnings and all instructions.** Failure to follow the warnings and instructions may result in death or serious injury.

**Save all safety warnings and instructions for future reference.**

The term **battery pack** used in these operating instructions refers to all original Bosch eBike battery packs.

### **⚠ WARNING**

- ▶ **This manual contains important safety, performance and service information.** Read it before you take the first ride on your new bicycle, and keep it for reference. The manual can also be found online at [www.bosch-ebike.com](http://www.bosch-ebike.com).
- ▶ **This manual is intended to be read together with the separate user manual provided with your bicycle.** Be sure to read all provided documents including labels on the product before your first ride.

- ▶ **Read ALL accompanying manuals before riding the bike for the first time.** Your Bosch Drive System comes with additional manuals and documents provided by the manufacturer of the bicycle and other components. Failure to read and understand safety information can result in death or serious injury.
- ▶ **Take responsibility for your own SAFETY.** If you have any questions or do not understand something, consult with your dealer or the bicycle or component manufacturer.
- ▶ **Some eBike accessories may present a choking hazard to small children.** Keep these accessories away from children.

### **⚠ CAUTION**

- ▶ **The Bosch Drive System adds weight to your bicycle which you may not be used to lift.** Avoid injury, use proper lifting techniques.

## Using your Manual

In addition to the functions outlined here, changes to software relating to troubleshooting and functional modifications may be introduced at any time.

### Graphics

The bicycle shown in this manual may differ slightly from your bicycle, but will be similar enough to help you understand our instructions.

RIGHT-HAND and LEFT-HAND sides are determined by facing in the direction the bicycle will travel when going forward. When you see a broken line (-----), the item referred to is hidden from view.

# Operating your Bosch Drive System

## Safety instructions



**Read all the safety information and instructions.** Failure to observe the safety information and follow instructions may result in electric shock, fire and/or serious injury.

### Save all safety warnings and instructions for future reference.

The term **battery pack** used in these operating instructions refers to all original Bosch eBike battery packs.

- ▶ **Do not allow yourself to be distracted by the display of the on-board computer.** If you do not concentrate exclusively on the traffic around you, you risk being involved in an accident. If you want to change any settings on the on-board computer other than the assistance level, always stop before entering the relevant data.
- ▶ **Set the display brightness such that you can adequately see important information like speed or warning symbols.** An incorrectly set display brightness can result in dangerous situations.
- ▶ **Before commencing a training program, please consult a doctor to confirm that you are able to cope with any stresses that the program may place on you.** Only this way can you ensure that you will not be subject to any potential overexertion.
- ▶ **When using a heart rate monitor, the heart frequency that is shown may be distorted as a result of electromagnetic interference.** The heart frequency shown only serves as a reference. No liability can be assumed for any consequences incurred as a result of an incorrectly indicated heart frequency.
- ▶ **Nyon is not a medical product.** The values shown on the fitness screen may differ from the actual values.
- ▶ **Do not open the on-board computer.** Opening the on-board computer can result in irreparable damage and void your warranty.
- ▶ **Do not use the on-board computer as a handle.** Lifting the eBike up by the on-board computer can cause irreparable damage to the on-board computer.
- ▶ **Caution!** Using the on-board computer with *Bluetooth*<sup>®</sup> and/or WiFi can interfere with the operation of other devices and systems, including airplanes and medical devices (e.g. pacemakers, hearing aids). Similarly, the possibility that this may cause damage to humans and animals in the immediate vicinity cannot be completely excluded. Do not use the on-board computer with *Bluetooth*<sup>®</sup> in the vicinity of medical devices, service stations, chemical plants, blasting areas or other areas where there is a risk of explosion. Do not use the on-board computer with *Bluetooth*<sup>®</sup> in airplanes. Avoid using the device in close proximity to your body over an extended period of time.
- ▶ The *Bluetooth*<sup>®</sup> word mark and logos are registered trademarks owned by Bluetooth SIG, Inc. and any use of such marks by Bosch eBike Systems is under licence.
- ▶ **Do not enter information or make selections while riding.** Interacting with the display unit while riding can lead to accidents causing serious injury or death. You must observe road and traffic conditions, and comply with traffic laws at all times.
- ▶ **Using your mobile device while operating an eBike may be distracting. Distracted driving is a serious safety concern and can lead to accidents causing serious injury or death. In order to prevent distracted driving, most devices come equipped with a “Do Not Disturb” mode. The “Do Not Disturb” mode should be used while operat-**

**ing an eBike.** Please consult your device-specific instructions for more information. You, as the eBike operator, are fully responsible for ensuring that you pay attention to road conditions and comply with traffic laws at all times.

- ▶ **Do not activate push assistance function while riding on the bike.** Only use push assistance function when pushing the eBike.

## Safety Instructions in Conjunction with the Navigation System

- ▶ **Do not plan any routes while riding. Make sure that you come to a complete stop and only input a new destination while at a standstill.** If you do not concentrate exclusively on the traffic around you, you risk being involved in an accident.
- ▶ **Discontinue following your route if the navigation system suggests a path for you to take that may be risky or dangerous for you according to your capabilities as a rider.** Allow the navigation system to select an alternative route for you instead.
- ▶ **Make sure to observe all traffic signs regardless of the route proposed by the navigation system.** The navigation system is unable to take roadworks or temporary diversions into account.
- ▶ **Do not use the navigation system in circumstances where special attention must be given to safety, or if it is unclear how to proceed (road closures, diversions, etc.).** Always carry additional map sources and means of communication.
- ▶ **The navigation system instructs you to perform an unsafe or illegal maneuver.** Cancel the navigation system and choose an alternative route.
- ▶ **The navigation system directs you into an unsafe area.** Cancel the navigation system and choose an alternative route.
- ▶ **The navigation system does not direct you to the nearest emergency facility when needed.** Make

an emergency call and inquire as to the quickest available route.

- ▶ **The location of the bicycle is indicated incorrectly by the navigation system.** Use a secondary source of information to determine where you are located currently.
- ▶ **The volume of the navigation system prevents you from hearing surrounding traffic while riding.** Ensure that you are able to perceive sounds from traffic in the vicinity at all times, so that you can react to potential dangers appropriately.

## Safety Instructions for Charging the On-Board Computer Battery

- ▶ **Only charge the on-board computer with USB power source (5 V, 1500 mA max) and USB cable rated at least 1500 mA.** Using USB power source or USB cable not appropriately rated for the application may result in fire, explosion or personal injury.
- ▶ **Charge the on-board computer in temperatures above +32 degrees F (0 degrees C) and below +104 degrees F (40 degrees C). Store on-board computer in locations where temperatures will not exceed 104 degrees F (40 degrees C).** This is important to prevent serious damage to the battery in the on-board computer.
- ▶ **Do not expose on-board computer to fire or excessive temperature.** Exposure to fire or temperature above 212 °F (100 °C) may cause explosion.
- ▶ **Do not recharge the on-board computer (via USB port) in damp or wet environment.** Water entering on-board computer may result in electric shock or fire.
- ▶ **Never submerge on-board computer in fluid of any kind or allow fluid to enter them.** Corrosive or conductive fluid (such as seawater or industrial chemical or bleach containing products, etc.) can cause short circuit which may result in fire, personal injury and property damage.

- ▶ **Battery leakage may occur under extreme usage or temperature conditions. Avoid contact with skin and eyes.** The battery liquid is caustic and could cause chemical burns to tissues. If liquid comes in contact with skin, wash quickly with soap and water. If the liquid contacts your eyes, immediately flush eyes with water for a minimum of 15 minutes and seek medical attention.
- ▶ **Place on-board computer on flat nonflammable surfaces and away from flammable materials when recharging on-board computer using external USB power source.** Carpeting and other heat insulating surfaces block proper air circulation which may cause overheating of the on-board computer. If smoke or melting of the on-board computer is observed, unplug the external USB power source immediately and do not use the on-board computer. Contact customer service immediately.
- ▶ **Before each use, check the on-board computer, cable and plug.** If damage is detected, do not use the on-board computer. Damaged on-board computer, charging cables and plugs increase the risk of a fire, explosion and personal injury.
- ▶ **Do not disassemble on-board computer.** No user serviceable part inside. Incorrect reassembly or damage may result in fire or explosion.
- ▶ **Read and observe the safety warnings and instructions in all operating instructions of the eBike system and your eBike.**

**NOTICE:** This equipment complies with FCC radiation exposure limits set forth for an uncontrolled environment. This equipment should be installed and operated with minimum distance of 20 cm between the radiator and your body. This transmitter must not be co-located or operating in conjunction with any other antenna or transmitter:

1. This device must not cause harmful interference, and
2. this device must accept any interference that is received, including interference that may cause undesired operation.

**NOTICE:** Changes or modifications made to this equipment not expressly approved by the Robert Bosch GmbH may void the FCC authorization to operate this equipment.

**NOTE:** This equipment has been tested and found to comply with the limits for a Class B digital device, pursuant to Part 15 of the FCC Rules. These limits are designed to provide reasonable protection against harmful interference in a residential installation. This equipment generates, uses and can radiate radio frequency energy and, if not installed and used in accordance with the instructions, may cause harmful interference to radio communications. However, there is no guarantee that interference will not occur in a particular installation. If this equipment does cause harmful interference to radio or television reception, which can be determined by turning the equipment off and on, the user is encouraged to try to correct the interference by one or more of the following measures:

- Reorient or relocate the receiving antenna.
- Increase the separation between the equipment and receiver.
- Connect the equipment into an outlet on a circuit different from that to which the receiver is connected.
- Consult the dealer or an experienced radio/TV technician for help.

**Radiofrequency radiation exposure Information:**

The radiated output power of the device is far below the FCC radio frequency exposure limits. Nevertheless, the device shall be used in such a manner that the potential for human contact during normal operation is minimized.

**NOTICE:** This device complies with part 15 of the FCC Rules. Operation is subject to the following two conditions:

1. This device must not cause harmful interference, and



2. this device must accept any interference received, including interference that may cause undesired operation.

**ISED Notice (Canada)**

This device contains licence-exempt transmitter(s)/ receiver(s) that comply with Innovation, Science and Economic Development Canada's licence-exempt RSS(s). Operation is subject to the following two conditions:

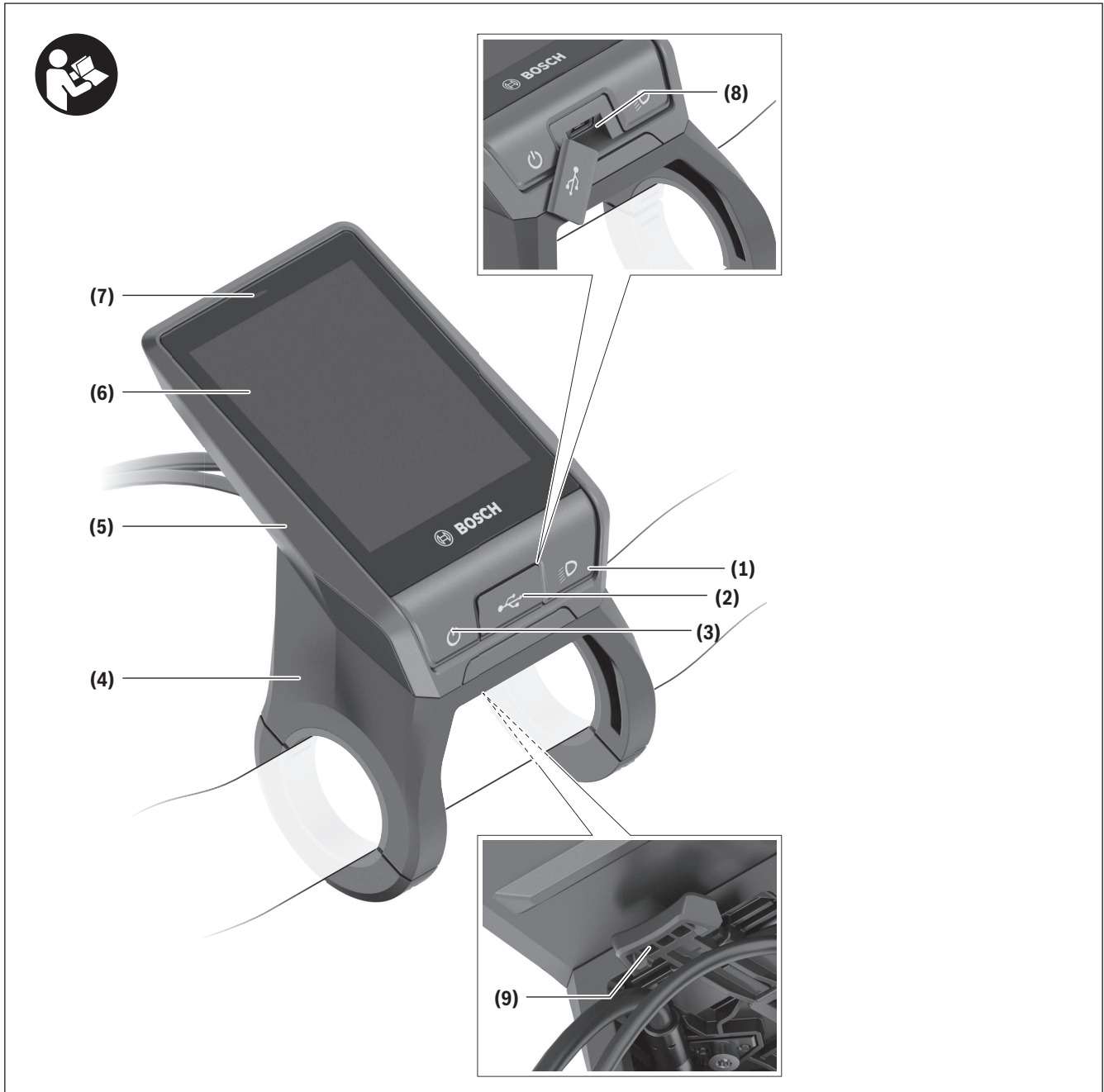
1. this device may not cause interference, and
2. this device must accept any interference, including interference that may cause undesired operation of the device.

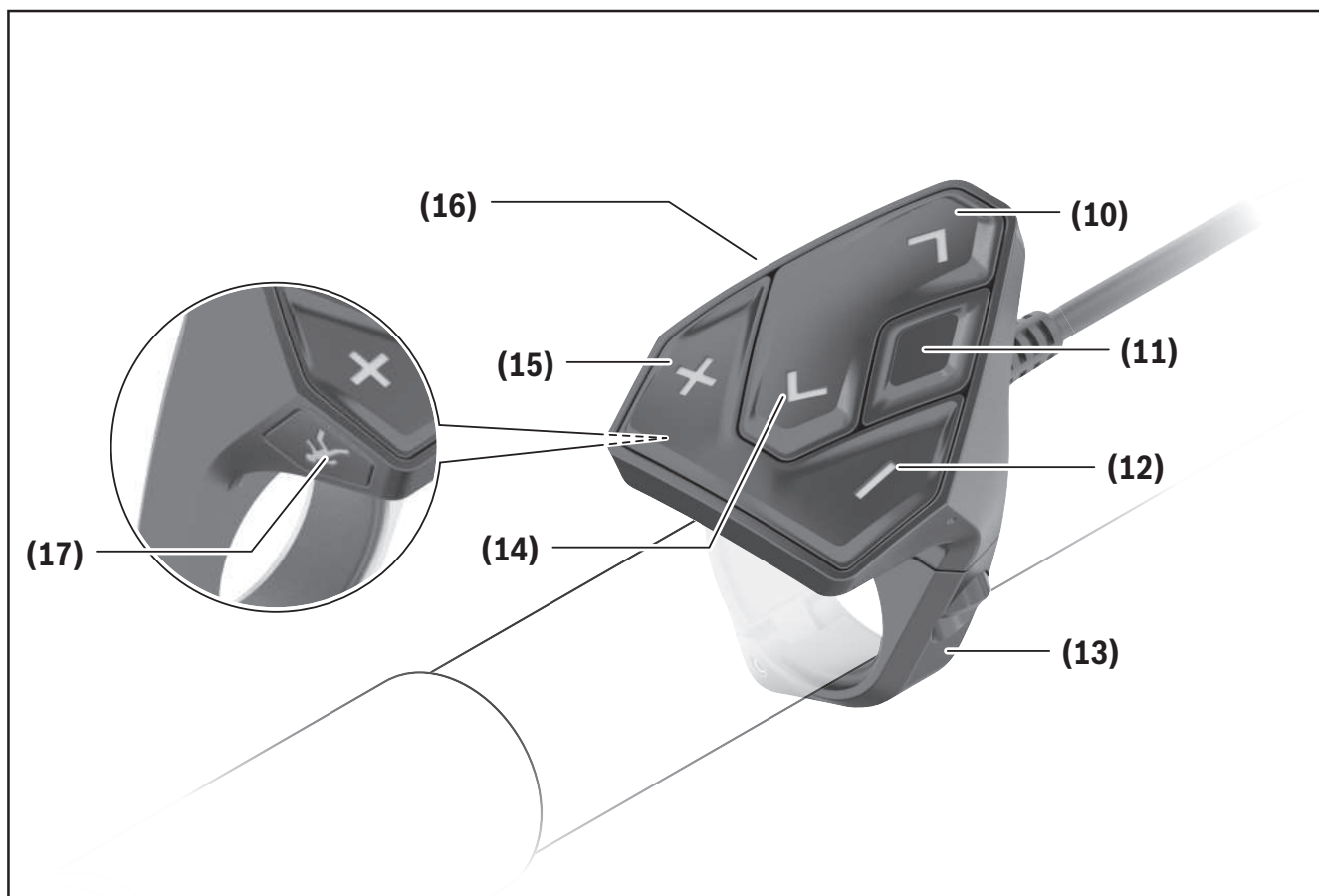
This equipment complies with Canada radiation exposure limits set forth for an uncontrolled environment. This equipment should be installed and operated with minimum distance of 20 cm between the radiator and your body. This transmitter must not be co-located or operating in conjunction with any other antenna or transmitter.

**Privacy notice**

If the on-board computer is sent to Bosch Service because it requires servicing, the data stored on the on-board computer may be transmitted to Bosch.

## Product Description and Specifications





## Product Features

All illustrations of bike parts except for the drive unit, on-board computer including operating unit, speed sensor and the corresponding holders are schematic and may differ on your eBike.

- (1) Bike light button
- (2) Protective cap for USB port
- (3) On/off button for on-board computer
- (4) Holder for on-board computer<sup>A)</sup>
- (5) On-board computer
- (6) Display (touch-sensitive)
- (7) Brightness sensor
- (8) USB port
- (9) Release mechanism
- (10) Button for next page

- (11) Select button
  - (12) Button for decreasing the assistance level
  - (13) Holder for operating unit
  - (14) Button for previous page
  - (15) Button for increasing the assistance level
  - (16) Operating unit
  - (17) Start/push assistance button **WALK**
- A) For mounting on the handlebars, custom solutions are possible even without the use of the handlebar clamps.

## Intended Use

The **Nyon (BUI350)** on-board computer is designed to control Bosch eBike systems and display cycling data.

In addition to the functions outlined here, changes to software relating to troubleshooting and functional modifications may be introduced at any time.

To find out more, visit: [www.Bosch-eBike.com](http://www.Bosch-eBike.com).

Instructions on how to use the app and the portal can be found in the online operating instructions at [www.Bosch-eBike.com](http://www.Bosch-eBike.com).

The **Nyon (BUI350)** on-board computer is only intended as a navigation system for bicycles and is not suitable for other means of transport (e.g. hikers or vehicle drivers).

## Technical Data

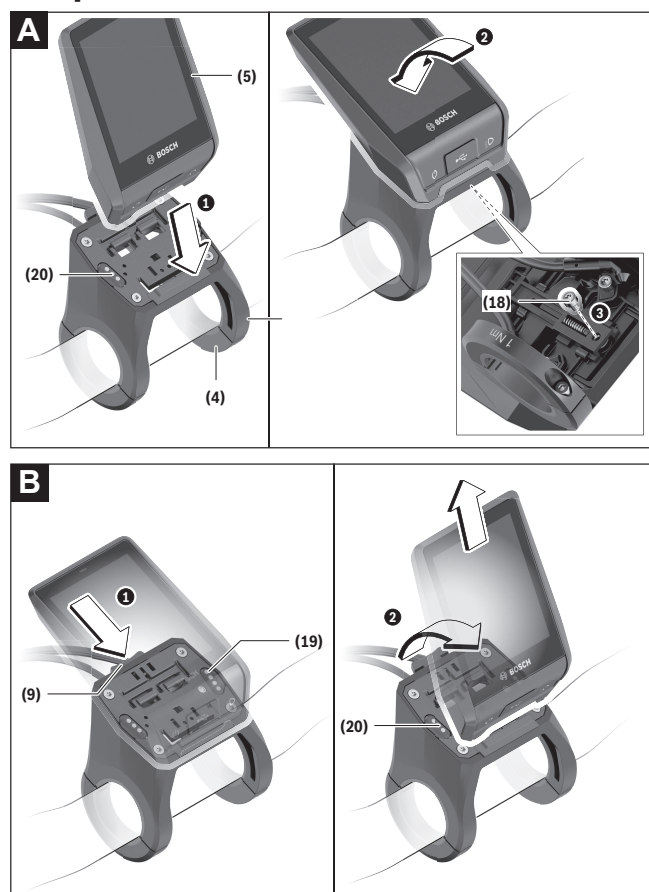
On-board computer		Nyon
Product code		BUI350
Total internal memory	GB	8
Max. USB port charging current (output)	mA	1500
Max. USB port charging voltage	V	5
USB charging cable		1 270 016 360
Operating temperature	°F	23 to 104
Storage temperature	°F	50 to 104
Charging temperature	°F	32 to 104
Internal lithium-ion battery	V	3.7
	mAh	1000
Protection rating		IP x5
Supported Wi-Fi standards		802.11b/g/n (2.4 GHz)
Weight, approx.	lbs	0.44
Wi-Fi		
– Frequency	MHz	2400–2480
– Transmission power	mW	< 100
<i>Bluetooth®</i>		

On-board computer		Nyon
– Frequency	MHz	2400–2480
– Transmission power	mW	< 10

## Assembly

- ▶ **Deactivate and remove the on-board computer if you are fitting or working on the holder.** This avoids malfunctions/misuse.
- ▶ **Deactivate and remove the on-board computer if you are fitting or removing the securing screw.** This avoids malfunctions/misuse.

### Inserting and removing the on-board computer



- (4) Holder for on-board computer<sup>A)</sup>
- (5) On-board computer
- (9) Release mechanism
- (18) Locking screw for on-board computer
- (19) Drive unit contacts

### (20) Operating unit contacts

- A) For mounting on the handlebars, custom solutions are possible even without the use of the handlebar clamps.

To **insert** the on-board computer (5), first fit the lower section into the holder (4) and then press it forward until you can feel that the on-board computer is fixed in place. Make sure that the on-board computer is firmly fixed in place.

To **remove** the on-board computer (5), press on the release mechanism (9) and take out the on-board computer from above.

- ▶ **When you park up the eBike, remove the on-board computer.**

It is possible that the release mechanism may become jammed by a screw. To rectify this, remove the holder (4) from the handlebars. Put the on-board computer in the holder. Screw the locking screw (18) (M3 thread, 5 mm long) from below into the corresponding thread in the holder. Mount the holder back on the handlebars.

**Note:** The locking screw is not designed to prevent theft.

## Operation

### Setting up the eBike system

#### Requirements

The eBike system can only be activated when the following requirements are met:

- A sufficiently charged eBike battery is inserted (see battery operating instructions).
- The on-board computer is properly inserted in the holder.
- The battery of the on-board computer must be sufficiently charged.

#### Switching the eBike system on/off

The following options are available for **switching on** the eBike system:

- Once the on-board computer and the eBike battery are fitted, briefly press the on/off button **(3)** on the on-board computer.
- With the on-board computer inserted, press the on/off button on the eBike battery (bicycle manufacturer-specific solutions are possible when there is no access to the battery on/off button; see the operating instructions from the bicycle manufacturer).

The drive is activated as soon as you start pedaling (except for in the push assistance function or with the assistance level **OFF**). The motor output depends on which assistance level is set on the on-board computer.

As soon as you stop pedaling when in normal operation, or as soon as you have reached a speed of **20/28 mph**, the eBike drive unit switches off the assistance. The drive is automatically re-activated as soon you start pedaling again and the speed is below **20/28 mph**.

The following options are available for **switching off** the eBike system:

- Press the on/off button **(3)** of the on-board computer for at least three seconds.

- Switch off the eBike battery using its on/off button (some bicycle manufacturer-specific solutions prevent access to the battery on/off button; see the bicycle manufacturer operating instructions).

**Note:** This will place the **Nyon (BUI350)** into standby mode.

- Remove the on-board computer from its holder. If no power is drawn from the eBike drive for about 10 minutes (e.g. because the eBike is not moving) and no button is pressed on the on-board computer or the operating unit of the eBike, the eBike system, and therefore also the battery, will switch off automatically to save energy.

This will place the **Nyon (BUI350)** into standby mode.

#### Standby mode

You can put your on-board computer in standby mode, which allows the on-board computer and system to start up quicker when required.

The standby mode can be activated as follows:

- Press and hold the on/off button **(3)** of the on-board computer for 1 to 3 seconds, making sure not to exceed 3 seconds.
- Wait for 10 minutes until the system switches off.
- Switch off the rechargeable battery via the on/off button of the battery.

Standby mode is ended if you press and hold the on/off button **(3)** of the on-board computer for 1 second. Standby mode is ended and the on-board computer switches off automatically if the state of charge of the on-board computer battery is less than 75 %. In any event, the on-board computer will be switched off at the latest when its internal clock reaches midnight (00:00).

If **Nyon (BUI350)** cannot be switched on or does not work properly, press and hold the on/off button (approx. 15 s). This could rectify the error.

## Energy supply of the on-board computer

If the on-board computer is in the holder **(4)**, a sufficiently charged eBike battery is inserted into the eBike and the eBike system is switched on, then the on-board computer battery is powered and charged by the eBike battery.

If the on-board computer is removed from the holder **(4)**, the power is supplied by the on-board computer battery. If the on-board computer battery's charge is running low, a warning message appears on the display.

To charge the on-board computer battery, put the on-board computer back in the holder **(4)**. Note that if you are not charging the eBike battery, the eBike system will automatically switch off after 10 minutes if it is not activated. If this happens, the on-board computer battery will also stop charging.

You can also charge the on-board computer via the USB port **(8)**. To do this, open the protective cap **(2)**. Use a Micro USB cable to connect the USB port on the on-board computer to a commercially available USB charger (not included with the product as standard) or to the USB port of a computer (max. **5 V** charging voltage; max. **1500 mA** charging current).

If the on-board computer battery is not recharged, the date and time will be retained for approx. six months.

**Note:** To maximize the lifespan of the on-board computer battery, it should be recharged for one hour every three months.

### USB Port

The on-board computer can be charged via the USB port.

To do so, open the protective cap **(2)** on the USB port **(8)** of the on-board computer. Use the Micro A–Micro B USB charging cable (available from your Bosch eBike dealer) to connect the USB port of the external device to the USB port **(8)** of the on-board computer.

Following use, the USB port must be carefully resealed with the protective cap **(2)**.

**A USB connection is not a watertight plug connection. When cycling in wet conditions, ensure no external devices are connected and that the USB port is fully covered by the protective cap (2).**

It is not possible to charge external devices via the USB port.

### Battery Charge Indicator

The battery charge indicator of the eBike battery **g** (see "**<Ride Screen>**", page English – 18) can be read in the status bar. The eBike battery's state of charge is also indicated by the LEDs on the eBike battery itself.

Color of the indicator	Meaning
White	The eBike battery is over 30 % charged.
Yellow	The eBike battery is charged between 15 % and 30 %.
Red	The eBike battery is charged between 0 % and 15 %.
Red + !	The capacity for assisting the drive has been used up, and assistance is switched off. The remaining capacity will be provided for the bike lights and the on-board computer.

If the eBike battery is being charged on the bike, a corresponding notification will be displayed.

If the on-board computer is removed from the holder **(4)**, the state of charge that was last displayed for the battery is saved.

## Starting operation of the on-board computer

- ▶ **Prior to initial start-up, remove the protective film from the display to guarantee that the on-board computer is fully functional.** If the protective film remains on the display, this can impact the functionality/performance of the on-board computer.
- ▶ **Full functionality cannot be guaranteed for the on-board computer if protective films are used on the display.**

The Nyon is supplied with a partially charged battery. Before the first use, the Nyon battery must be fully charged via the USB port or via the eBike system. It is possible to set off within a short duration (approx. 4 seconds) of switching on the on-board computer. During the subsequent period, the on-board computer will continue loading the complete operating system in the background.

**Note:** When you switch on the on-board computer for the first time, the on-board computer may require a longer period of time before it is ready for travel. If the on-board computer is connected to a Wi-Fi network, the user will be informed about the existence of a new update where applicable. Make sure to download the update and install the latest version.

### Creating a user ID

In order to be able to use all the functions of the operating system, you must register online.

With a user ID, you can analyze your ride data, plan offline routes and transfer these routes to the on-board computer.

You can set up a user ID via your **Bosch eBike Connect** smartphone app or simply at [www.eBike-Connect.com](http://www.eBike-Connect.com). Enter the details required for registration. The **Bosch eBike Connect** smartphone app is available to download free of charge from the App Store (for Apple iPhones) or from the Google Play store (for Android devices).

## Connecting the on-board computer to the portal

The on-board computer can be connected to the portal via a Wi-Fi connection.

To do this, proceed as follows:

- Press **<Login>** on the **<Status Screen>**.
- Select **<WiFi>**.
- Select a network.
- Enter your username and password.

Once a connection has been successfully established, all data is synchronized with the on-board computer.

## Connecting the On-Board Computer with the Bosch eBike Connect App

Follow these steps to establish a connection to your smartphone:

- Load the app.
- Select the tab **<My eBike>**.
- Select **<Add new eBike device>**.
- Add **Nyon (BUI350)**.

The app will then display an instruction to press and hold the bike lighting button **(1)** on the on-board computer for 5 seconds.

Press and hold the button **(1)** for at least 5 seconds. The on-board computer automatically activates the *Bluetooth® Low Energy* connection and switches to pairing mode.

Follow the instructions on the screen. Once pairing is complete, the user data is synchronized.

**Note:** The *Bluetooth®* connection does not need to be activated manually.

## Setting the assistance level

On the operating unit **(16)**, you can set the level of assistance you want the eBike drive to provide you with while pedaling. The assistance level can be changed at any time, even while cycling.

**Note:** In some models, the assistance level may be preset and cannot be changed. There may also be fewer assistance levels available than stated here.



The following assistance levels are available as a maximum:

- **OFF:** Motor assistance is switched off. The eBike can just be moved by pedaling, as with a normal bicycle. The push assistance cannot be activated at this assistance level.
- **ECO:** Effective assistance with maximum efficiency, for maximum range
- **TOUR:** Steady assistance, long range for touring
- **SPORT/eMTB:**
  - SPORT:** Powerful assistance, for mountain biking and for cycling in urban traffic
  - eMTB:** Optimum assistance whatever the terrain, rapid acceleration when starting from a standstill, improved dynamics, top performance (**eMTB** is only available in combination with drive units BDU250P CX, BDU365, BDU450 CX and BDU480 CX. This also requires a software update.)
- **TURBO:** Maximum assistance even at high pedaling speeds, for biking sports

To **increase** the assistance level, press the **+** button **(15)** on the operating unit repeatedly until the required assistance level appears on the indicator. To **decrease** the assistance level, press the **-** button **(12)**.

The requested motor output is shown on the display **j**. The maximum motor output depends on the selected assistance level.

### Switching the push assistance on/off

The push assistance aids you when pushing your eBike. The speed of this function depends on the selected gear and can reach a maximum of **3.7 mph**. The lower the selected gear, the lower the speed of the push assistance function (at full power).

► **The push assistance function must only be used when pushing the eBike.** There is a risk of injury if the wheels of the eBike are not in contact with the ground while using the push assistance.

To **activate** the push assistance, briefly press the **WALK** button on your on-board computer. After activation,

press the **+** button within 3 s and keep it pressed. The eBike drive is switched on.

**Note:** The push assistance cannot be activated at assistance level **OFF**.

The push assistance is **switched off** as soon as one of the following occurs:

- You release the **+** button;
- the wheels of the eBike are locked (e.g. by applying the brakes or hitting an obstacle);
- the speed exceeds **3.7 mph**.

The push assistance function is subject to local regulations; the way it works may therefore differ from the description above. It can also be deactivated.

### Switching bicycle lights on/off

On the model in which the lighting is powered by the eBike system, the front and rear lights can be switched on and off at the same time via the on-board computer using the bike light button **(1)**.

Before starting each journey, check that your bike lights are working correctly.

If the lighting is switched on, the bike light indicator **f** lights up in the status bar of the display.

Switching the bike lights on and off has no effect on the backlighting of the display.

### Lock (premium function)

The lock function is available to purchase from the **<Shop>** in the eBike Connect app. Once the lock function is switched on, the assistance from the eBike drive unit is deactivated by removing the on-board computer. Activation is then only possible via the on-board computer that is associated with the eBike. More detailed instructions regarding this can be found in the online operating instructions at [www.Bosch-eBike.com](http://www.Bosch-eBike.com).

### Activity tracking

In order to record activities, you must be registered with and logged into the eBike Connect portal or the eBike Connect app.

To record activities, you must consent to the storage of your location data either in the portal or the app. Without this, your activities will not be shown in the portal or the app. Your position is only recorded if the on-board computer is connected to the eBike Connect app.

Once synchronization is complete, the activities will already be displayed in the app and in the portal during the journey.

### eShift (optional)

eShift is the integration of electronic gear shifting systems into the eBike system. The eShift components are electrically connected to the drive unit by the manufacturer. The separate operating instructions describe how to operate the electronic gear-shifting systems.

### Software Updates

If **Nyon (BUI350)** is connected to the Wi-Fi, it automatically checks whether a newer version of the software is available. If a software update is available, a notification will inform the user of this. Alternatively, the user can search for updates manually under **<System Settings>**.

### Notes on cycling with the eBike system

#### Taking care of your eBike

Please observe the operating and storage temperatures of the eBike components. Protect the drive unit, on-board computer and battery against extreme temperatures (e.g. from intense sunlight without adequate ventilation). Extreme temperatures can cause the components (especially the battery) to become damaged.

Keep the screen of your Nyon clean. Dirt can cause faulty brightness detection. The day/night switchover function in the navigation mode may function incorrectly.

Abrupt changes in environmental conditions can cause the window to steam up from the inside. The temperature will equalize after a short period and the condensation will subsequently disappear.

### The Nyon operating system

The Nyon operating system consists of three components:

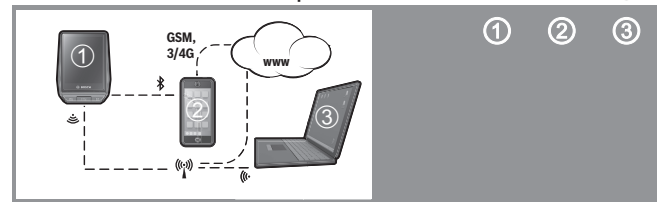
1. The Nyon on-board computer with operating unit
2. The **Bosch eBike Connect** smartphone app
3. The [www.eBike-Connect.com](http://www.eBike-Connect.com) online portal

A number of settings and functions can be administered or used on all components. Some settings and functions can only be accessed or operated via specific components. Data is automatically synchronized if a **Bluetooth®**/Internet connection has been established. The following table provides an overview of the possible functions.

Functions of the on-board computer ①

Functions of the smartphone app ②

Functions of the online portal ③



	①	②	③
Login/registration	✓	✓	✓
Modification of settings	✓	✓	✓
Collection of trip data	✓		
Real-time display of trip data	✓		
Processing/analysis of trip data		✓	✓
Creation of user-defined displays	✓		
Indication of current location	✓ <sup>A)</sup>	✓ <sup>A)</sup>	✓
Navigation	✓		
Route planning	✓	✓	✓
Indication of remaining range (Circle around current location)	✓		
Training effect in real time	✓		
Trip overview		✓	✓
Purchase of premium functions		✓	

A) GPS required

**Premium functions**

The standard functions of the **Nyon (BUI350)** operating system can be supplemented through the purchase of **premium functions** via the App Store for Apple iPhones or the Google Play store for Android devices.

In addition to the free **Bosch eBike Connect** app, premium functions are available for a fee. A detailed list of the additional apps that are available can be found in the online operating instructions at [www.Bosch-eBike.com](http://www.Bosch-eBike.com).

## Displays and settings of the on-board computer

**Note:** All interface displays and texts on the following pages correspond to the release status of the software. The interface displays and texts may change slightly following a software update.

The Nyon has a touch-sensitive screen. The individual screens can be navigated between by swiping right or left. Status screen functions or submenus can be called up by pressing the corresponding buttons.

The Nyon has standard screens and predefined screens. The user can also create their own custom screens. The order and number of screens can be set by the user. Max. 25 tiles can be used for the screens. The description of the screens in these operating instructions corresponds to the basic configuration that is provided upon delivery of the on-board computer.

The standard screens are:

- **<Ride Screen>**
- **<Status Screen>**
- **<Map Screen>**
- **<Trip Data Screen>**
- **<Analysis Screen>**

The predefined screens include:

- **<Fitness Screen>**
- **<eMTB Screen>**
- **<Basic Screen>**

You can use the **< (14)** and **> (10)** buttons to switch between the different pages of riding values (even while riding). This way, you can keep both hands on the handlebars while cycling.

You can use the **+ (15)** and **- (12)** buttons to increase or decrease the assistance level.

The **<Settings>** that can be accessed via the **<Status Screen>** cannot be changed while riding.

### <Ride Screen>



- a** Speed
- b** Unit of speed
- c** Time<sup>A)</sup>  
The current time is shown according to the selected time zone. This is set automatically via GPS.
- d** Assistance level  
The screen is colored according to the assistance level that is set.
- e** Connection to heart rate monitor  
This also functions as a placeholder for additional events. An indicator is displayed whenever the respective event occurs (e.g. connection to a smartphone)
- f** Bike lighting  
This symbol is displayed whenever the bike lights are switched on.
- g** eBike battery charging
- h** Range information<sup>B)C)</sup>
- i** Distance traveled

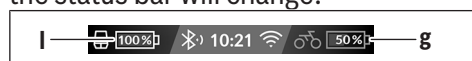
**j** Motor output

**k** Your output

- A) On eBikes with ABS, the time is replaced by the letters **((ABS))** during system start-up or if there is a fault with the ABS.
- B) When the navigation system is **active**, a destination flag will be shown at the end of the scale and the remaining distance to the destination will be displayed. If the eBike battery has sufficient capacity, the right-hand section of the scale will be shown in green. If the right-hand section of the scale is shown in orange or red, it is either uncertain or impossible that you will reach your destination with motor assistance at the assistance level you have currently selected. If you select a lower assistance level, the remaining battery capacity may still be sufficient to allow you to reach your desired destination.
- C) When the navigation system is **inactive**, the number of kilometers traveled will be shown on the left, and the range on the right.

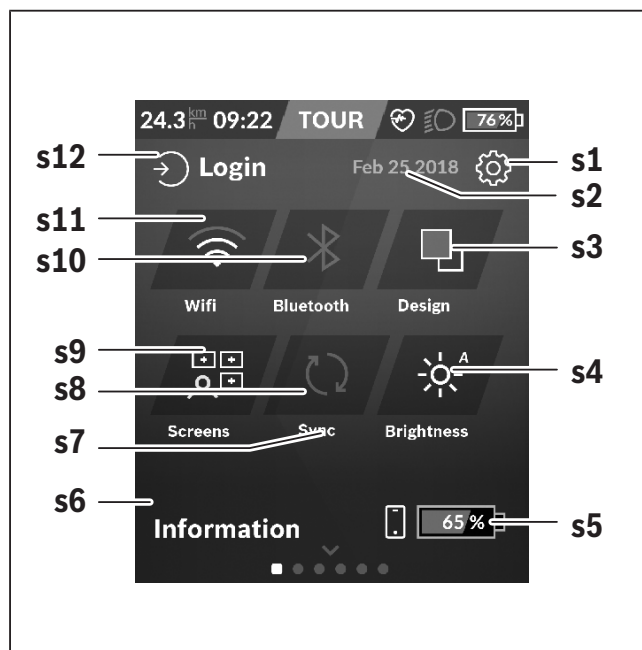
The indicators for **a through to g** form the status bar and are shown on every page.

If the on-board computer is removed from the holder, the status bar will change:



- l** On-board computer battery charging  
If a *Bluetooth*® and/or Wi-Fi connection is present, this will be displayed in the middle of the corresponding icons.
- g** eBike battery charging  
Current state of charge of the eBike battery

## <Status Screen>



- s1** Button for **<Settings>**
- s2** Date
- s3** **<Design>**  
Here, the background can be changed from light to dark.
- s4** Button for **<Brightness>**  
Here, a brightness setting can be selected from the following: 25 % | 50 % | 75 % | 100 % | Auto.
- s5** Smartphone battery charging
- s6** **<Information>**  
Events that are currently occurring are shown here (e.g. map download).
- s7** Time of last synchronization
- s8** Button for synchronization
- s9** Button for **<Screens>**  
Via this button, the order of screens and their content can be adjusted.
- s10** Button for **<Bluetooth>**  
**Tap:** Activate/deactivate  
**Press and hold:** Quick access to the *Bluetooth*® menu

**s11** Button for **<WiFi>**

**Tap:** Activate/deactivate

**Press and hold:** Quick access to the Wi-Fi menu

**s12** **<Login>**

Here, the user can connect with their ID.

**<Settings>**

You can access the settings menu via the status screen. The **<Settings>** cannot be accessed or changed while riding.

Tap the settings button **<Settings>** and select the required setting or submenu. Press the back arrow in the header to move to the previous menu. Press the **x** symbol (in the right of the header) to close the settings menu.

You can find the following superordinate sections on the first level of settings:

– **<Map Settings>**

Via **<Map Settings>**, the map display format (2D/3D) can be selected, downloaded maps and map updates can be reviewed, and recommended maps can be downloaded.

– **<My eBike>** – Your eBike settings:

You can reset the counters (such as the number of kilometers traveled that day or average values) to zero either automatically or manually, and you can reset the range. You can change the wheel circumference value that was preset by the manufacturer by  $\pm 5\%$ . If your eBike features **eShift**, you can also configure your eShift system here. The bike retailer can schedule the service based on a mileage and/or a time period. The bike component page displays the serial number and hardware and software versions for each component, in addition to other key data that is relevant for the components.

– **<Screen Management>**

You can select this menu item to adjust the screen and tile contents to your personal requirements.

– **<Connections>**

Here, the *Bluetooth*<sup>®</sup> and Wi-Fi connections can be adjusted.

– **<My Profile>**

The data of the active user is entered or adjusted here.

– **<System Settings>**

You can display the speed and distance in kilometers or miles, display the clock in 12- or 24-hour format, adjust the time, date and time zone and select your preferred language. You can reset the Nyon to its factory settings, run a software update (if available) and choose between a black and white design.

– **<Information>**

Information on FAQ (frequently asked questions), certification, contact information, information on licenses. You can find a detailed description of each parameter in the online operating instructions at [www.Bosch-eBike.com](http://www.Bosch-eBike.com).

## <Map Screen>

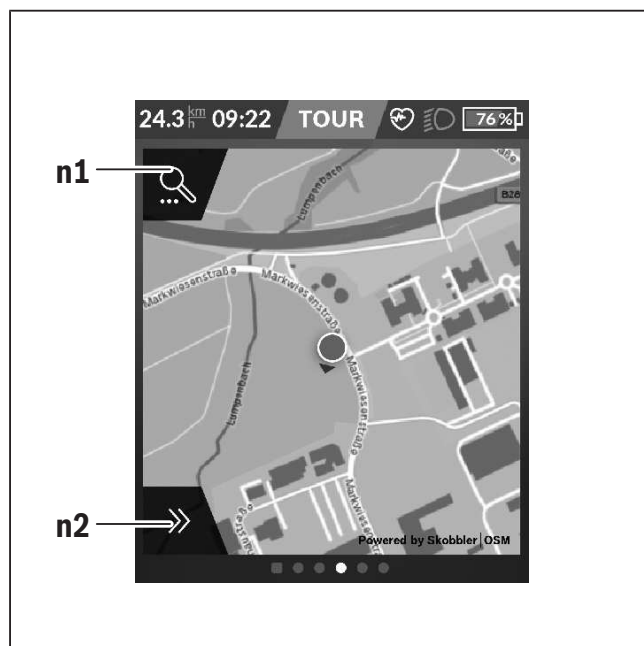
The navigation system draws on map material that is based on OpenStreetMap (OSM).

Whenever you switch on Nyon, it will begin with a satellite search to enable it to receive GPS signals. Once enough satellites have been found, the location point will change color from gray to blue. In unfavorable weather conditions or locations, the search for satellites may take a little longer. If no satellites have been found after an extended period of time, Nyon will restart.

When searching for satellites for the first time, the process can take several minutes.

In order to achieve the best possible positional accuracy, the first satellite search should be carried out outdoors. Ideally, you should remain stationary for a few minutes while this takes place, even if your position has already been found.

Once Nyon has determined your location, this will be shown to you on the map. To **zoom in** to a section of the map, place **two** fingers on the touchscreen and spread them apart. To **zoom out** of a section of the map, place two fingers on the touchscreen and bring them together. To **move around** the map, simply place two fingers on the touchscreen and move them across the map. To **select a destination**, press and hold a finger against a location on the map.



**n1** Navigation search

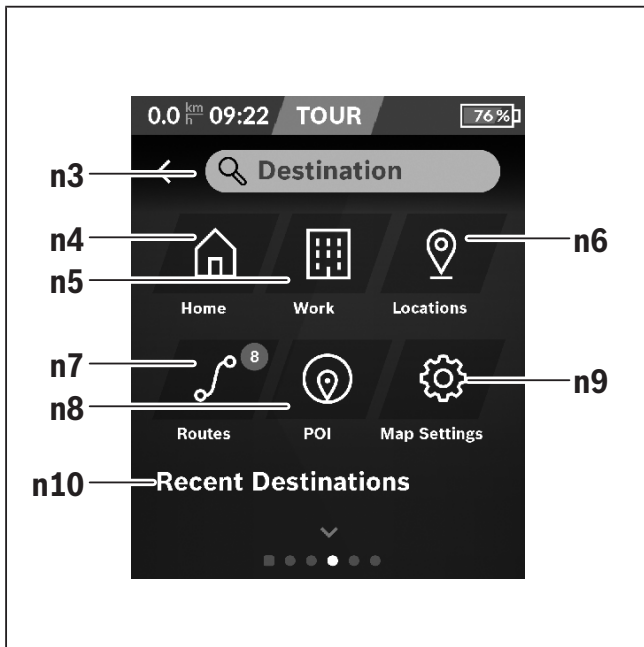
**n2** Navigation functions

Using the navigation functions **n2**, you can select your destinations and ensure that these can be reached with the current state of charge.

While the navigation system is active, the user is informed about the current assistance mode they are using and whether they are able to reach their destination with the current eBike battery state of charge.

The circle around the user's position shows how far they are able to travel with the current level of battery charge, taking into account the current assistance level and the terrain to be covered. Adjusting the assistance level will adjust the radius of the circle accordingly.

If you select the navigation search **n1**, you will be shown the following menu:



- n3** Input field **<Destination>**  
Here, you can enter the address of your destination or a point of interest (e.g. a restaurant). Depending on the input, all potential addresses within a radius of 100 km will be shown to you.
- n4** Button for **<Home>**  
By selecting this button, you will be directed to your home address.<sup>A)</sup>
- n5** Button for **<Work>**  
By selecting this button, you will be directed to your workplace address.<sup>A)</sup>
- n6** Button for **<Locations>**  
Select this button to view the locations you have saved that have been synchronized from the app or the portal.
- n7** Button for **<Routes>**  
The routes that have been saved and subsequently synchronized are shown in the portal.
- n8** Button for **<POI>**  
Select this button to view destinations of general interest, such as restaurants or shopping facilities.

**n9** Button for **<Map Settings>**

By selecting this button, you can adjust how the maps are displayed or manage your maps.

**n10** **<Recent Destinations>**

The most recent routes and locations are listed here.

A) Data from the app and the portal is imported and displayed. If you have entered a destination, the quickest available route (**<Fast>**) will be shown to you first. You can also select the scenic (**<Scenic>**) or the MTB route (**<MTB>**). Alternatively, you can receive directions to take you home (when you have logged your home address in the portal), select one of your recent destinations or choose from saved locations and routes.

The remaining range of the battery is calculated and displayed according to the topographical conditions. The calculation of the topographical range extends to a maximum of 100 km.

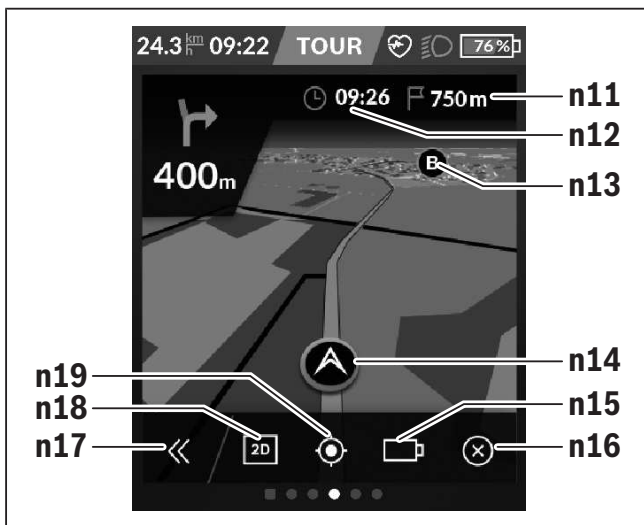
If you have imported or planned GPX routes via the online portal, these will be transmitted to your Nyon via *Bluetooth*<sup>®</sup> or a Wi-Fi connection. You can begin these routes as and when necessary. If you are located in the vicinity of the route, you can be directed to the start of the route or begin following the navigation system immediately.

In temperatures below 32 °F, significant deviations must be taken into account with regard to height measurement.

**Active Navigation**

The following figure shows an example of active navigation with explanations of the depicted symbols.





- n11** Distance to the destination
- n12** Arrival time
- n13** Destination
- n14** Current position
- n15** Range indicator battery
- n16** End active navigation
- n17** Open and close panel (back to search)
- n18** Switch between 2D and 3D view
- n19** Center view (back to current position)

**<Trip Data Screen>**

- i** **<Trip Distance>**  
Indicator for distance traveled
- m** **<Trip Time>**  
Indicator for trip duration
- n** **<Avg. Speed>**  
Indicator for average speed
- o** **<Altitude>**  
Indicator for altitude

**<Analysis Screen>**

- p** **<Riding Mode Usage>**  
Indicator for use of different riding modes
- q** **<Max. Speed>**  
Indicator for maximum speed
- r** **<Ascent>**  
Indicator for gradient
- s** **<Avg. Power>**  
Indicator for relationship of own output compared to motor output

## Creating custom screens

In order to incorporate predefined screens or create new screens, navigate to the status screen and select the adjustment **s9** button. Four icons are shown to you in the footer that allow you to make an adjustment.

As an option, the function can also be started via **<Settings>** → **<Screens>**.

The following options are available to you:

- Move screens
- Create new screens
- Delete screens
- Add predefined screens

## <Fitness Screen> (predefined screen)



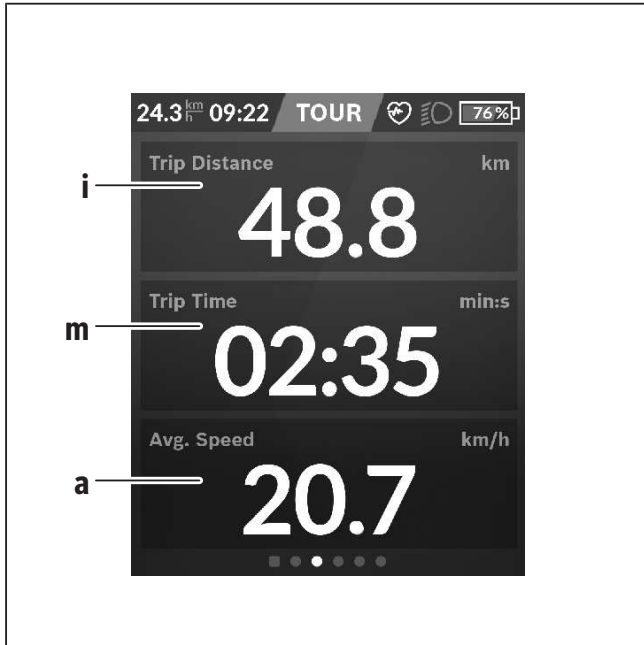
- t** **<My Power>**  
Indicator for own output
- u** **<Cadence>**  
Indicator for cadence
- r** **<Heartrate>**  
Indicator for heart rate
- v** **<Calories>**  
Indicator for kilocalories burned

## <eMTB Screen> (predefined screen)



- r** **<Slope>**  
Indicator for gradient
- o** **<Altitude>**  
Indicator for altitude
- w** **<Altitude Graph>**  
Indicator for elevation profile
- x** **<Max. Slope>**  
Indicator for maximum gradient
- y** **<Ascent>**  
Indicator for gradient

## <Basic Screen> (predefined screen)



- i**    **<Trip Distance>**  
Indicator for distance traveled
- m**    **<Trip Time>**  
Indicator for trip duration
- a**    **<Avg. Speed>**  
Indicator for average speed

## <Quick Menu>

Selected settings are displayed on the quick menu.

These settings can also be changed while riding.

You can access the quick menu via the select button **(11)**. You can use the **< (14)** and **> (10)** buttons to switch between the submenus. The submenu items can be selected with the **+ (15)** and **- (12)** buttons. From the **<Status Screen>**, you are unable to reach the **<Quick Menu>**.

The following submenus can be changed via the **<Quick Menu>**:

- **<Trip Data>**  
Via this submenu, you can reset all data on the distance traveled so far to zero.

- **<Select Destination>**  
Via this submenu, you can save your current position or receive directions to take you home.
- **<Map Zoom>**  
Via this submenu, you can zoom in or out of a section of the map.
- **<Brightness>**  
Via this submenu, a brightness setting can be selected from the following: 25 % | 50 % | 75 % | 100 % | Auto.
- **<Design>**  
Via this submenu, you can select a light or dark background.
- **<eShift>** (optional)  
Via this submenu, you can set the cadence.
- **<Custom Riding Modes>** (premium function, can be obtained from the App Store or Google Play Store)  
Via this submenu, you can select individual riding modes.
- **<Quick Menu>**  
Via this submenu, you can leave the **<Quick Menu>** again.

## Troubleshooting

The components of the eBike system are continuously monitored automatically. If a fault is detected, the corresponding fault code will appear on the on-board computer.

The drive may also be switched off automatically depending on what type of fault has occurred. You can

continue riding at any time without assistance from the drive, but you should have your eBike checked before completing any more journeys.

► **Only have repairs performed by a certified bicycle dealer.**

Code	Cause	Corrective measures
410	One or more buttons of the on-board computer are disabled.	Check whether any buttons are stuck, e.g. as a result of dirt finding its way in. Clean the buttons if need be.
414	Operating unit connection problem	Have the connections checked
418	One or more buttons on the operating unit are disabled.	Check whether any buttons are stuck, e.g. as a result of dirt finding its way in. Clean the buttons if need be.
419	Configuration error	Restart the system. If the problem persists, contact your Bosch eBike dealer.
422	Drive unit connection problem	Have the connections checked
423	eBike battery connection problem	Have the connections checked
424	Communication problem between components	Have the connections checked
426	Internal time-out error	Restart the system. If the problem persists, contact your Bosch eBike dealer. With this error, it is not possible to bring up the wheel circumference in the basic settings menu or to adjust it.
430	Internal battery of the on-board computer is flat (does not apply to BUI350)	Charge the on-board computer (in the holder or via the USB port)
431	Software version error	Restart the system. If the problem persists, contact your Bosch eBike dealer.
440	Internal drive unit fault	Restart the system. If the problem persists, contact your Bosch eBike dealer.
450	Internal software error	Restart the system. If the problem persists, contact your Bosch eBike dealer.
460	Error at USB port	Remove the cable from the USB port of the on-board computer. If the problem persists, contact your Bosch eBike dealer.
490	Internal fault of the on-board computer	Have the on-board computer checked

Code	Cause	Corrective measures
500	Internal drive unit fault	Restart the system. If the problem persists, contact your Bosch eBike dealer.
502	Bike light fault	Check the light and the associated wiring. Restart the system. If the problem persists, contact your Bosch eBike dealer.
503	Speed sensor fault	Restart the system. If the problem persists, contact your Bosch eBike dealer.
504	Speed signal distortion detected.	Check that the spoke magnet is positioned correctly, and adjust it if necessary. Check that nothing has been tampered with (tuning). Drive assistance is reduced.
510	Internal sensor fault	Restart the system. If the problem persists, contact your Bosch eBike dealer.
511	Internal drive unit fault	Restart the system. If the problem persists, contact your Bosch eBike dealer.
530	Battery fault	Switch off the eBike, remove the eBike battery and reinsert the eBike battery. Restart the system. If the problem persists, contact your Bosch eBike dealer.
531	Configuration error	Restart the system. If the problem persists, contact your Bosch eBike dealer.
540	Temperature error	The eBike is outside of the permissible temperature range. Switch off the eBike system and allow the drive unit to either cool down or heat up to the permissible temperature range. Restart the system. If the problem persists, contact your Bosch eBike dealer.
550	An impermissible load has been detected.	Remove the load. Restart the system. If the problem persists, contact your Bosch eBike dealer.
580	Software version error	Restart the system. If the problem persists, contact your Bosch eBike dealer.
591	Authentication error	Switch off the eBike system. Remove the battery pack and reinsert it. Restart the system. If the problem persists, contact your Bosch eBike dealer.
592	Incompatible component	Use a compatible display. If the problem persists, contact your Bosch eBike dealer.
593	Configuration error	Restart the system. If the problem persists, contact your Bosch eBike dealer.
595, 596	Communication error	Check the wiring to the drive and restart the system. If the problem persists, contact your Bosch eBike dealer.

Code	Cause	Corrective measures
602	Internal battery fault	Restart the system. If the problem persists, contact your Bosch eBike dealer.
603	Internal battery fault	Restart the system. If the problem persists, contact your Bosch eBike dealer.
605	Battery temperature error	The battery is outside of the permissible temperature range. Switch off the eBike system and allow the battery to either cool down or heat up to the permissible temperature range. Restart the system. If the problem persists, contact your Bosch eBike dealer.
606	External battery fault	Check the wiring. Restart the system. If the problem persists, contact your Bosch eBike dealer.
610	Battery voltage error	Restart the system. If the problem persists, contact your Bosch eBike dealer.
620	Charger fault	Replace the charger. Contact your Bosch eBike dealer.
640	Internal battery fault	Restart the system. If the problem persists, contact your Bosch eBike dealer.
655	Multiple battery faults	Switch off the eBike system. Remove the battery pack and reinsert it. Restart the system. If the problem persists, contact your Bosch eBike dealer.
656	Software version error	Contact your Bosch eBike dealer so that they can perform a software update.
7xx	Error relating to third-party components	Observe the information in the operating instructions of the respective component manufacturer.
Display is blank	Internal fault of the on-board computer	Restart your eBike system by switching it off and back on.

## Maintenance and cleaning

- ▶ **Deactivate the on-board computer if you are carrying out cleaning, maintenance or servicing work on the holder or the on-board computer.**

Only then malfunctions/misuse can be avoided.

Do not clean any of the components with pressurized water.

Keep the screen of your on-board computer clean.

Dirt can cause faulty brightness detection.

Clean your on-board computer using a soft cloth dampened only with water. Do not use cleaning products of any kind.

Have your eBike system checked by an expert at least once a year (including mechanical parts, up-to-date-ness of system software).

The bike retailer can also schedule the service based on a mileage and/or a time period. In this case, the on-board computer displays a message telling you when the service date is due each time it is switched on.

Please have your eBike serviced and repaired by an authorized bicycle dealer.

- ▶ **Only have repairs performed by a certified bicycle dealer.**



## Battery Recycling Program



The drive unit, on-board computer incl. operating unit, battery, speed sensor, accessories and packaging should be disposed of in an environmentally correct manner.

Do not dispose of eBikes and their components with household waste.



You may recycle your Bosch battery pack by calling 1.800.822.8837.



# Table des matières

Introduction .....	2
À propos des avertissements.....	2
Avertissements généraux.....	2
Utilisez votre notice d'utilisation .....	3
Utilisation de votre système de commande Bosch .....	4
Consignes de sécurité .....	4
Description des prestations et du produit.....	8
Montage .....	11
Fonctionnement .....	12
Affichage et configuration de l'ordinateur de bord .....	18
Résolution des problèmes .....	27
Nettoyage et entretien .....	30
Programme de recyclage des accus.....	31

# Introduction

## À propos des avertissements

Cette notice contient de nombreuses mentions de danger de type **DANGER, AVERTISSEMENT** et **ATTENTION** destinées à attirer l'attention sur les conséquences d'erreurs, dans le but d'utiliser, d'assembler, d'entretenir, de conserver et d'éliminer dans les règles et en toute sécurité les vélos électriques dotés d'un système eBike Bosch.

- Le symbole de sécurité et le mot **DANGER** signalent une situation à risque élevé, qui entraîne inévitablement des blessures graves, voire la mort, si elle n'est pas évitée.

- Le symbole de sécurité et le mot **AVERTISSEMENT** signalent une situation à risque élevé, pouvant entraîner des blessures graves, voire la mort, si elle n'est pas évitée.
- Le symbole de sécurité et le mot **ATTENTION** signalent une situation à risque modéré pouvant entraîner des blessures légères ou modérées si elle n'est pas évitée.

## Avertissements généraux



**Lisez tous les avertissements de sécurité et toutes les instructions.** Le fait de ne pas respecter les avertissements et les instructions peut entraîner des blessures graves ou mortelles.

**Conservez tous les avertissements et toutes les instructions pour pouvoir s'y reporter ultérieurement.**

Le terme **accu** utilisé dans la présence notice d'utilisation désigne un accu/une batterie d'eBike Bosch d'origine.

### **▲ AVERTISSEMENT**

- ▶ **Cette notice contient d'importantes informations sur la sécurité, les performances et l'entretien.** Veuillez la lire avant d'utiliser votre vélo pour la première fois, et la conserver pour référence ultérieure. Vous pouvez également retrouver cette notice en ligne à l'adresse [www.bosch-ebike.com](http://www.bosch-ebike.com).
- ▶ **Cette notice est destinée à être lue conjointement avec le manuel utilisateur séparé fourni avec votre vélo.** Assurez-vous de lire tous les do-

cuments fournis y compris les étiquettes apposées sur le produit avant la première utilisation.

- ▶ **Lisez TOUS les manuels et TOUTES les notices jointes avant d'utiliser votre vélo pour la première fois.** Votre système d'entraînement Bosch est livré avec d'autres manuels et documents fournis par le fabricant du vélo et des autres éléments. Ne pas lire ou ne pas comprendre les informations de sécurité peut entraîner des blessures graves ou mortelles.
- ▶ **Assumez la responsabilité de votre propre SÉCURITÉ.** En cas de question ou d'incompréhension, contactez votre revendeur ou le fabricant du vélo ou de l'élément.
- ▶ **Certains accessoires de l'eBike peuvent présenter un risque d'étouffement pour les petits enfants.** Conservez ces accessoires hors de portée des enfants.

### **▲ ATTENTION**

- ▶ **Le système d'entraînement Bosch alourdit votre vélo. Vous n'avez peut-être pas l'habitude de le soulever.** Évitez de vous blesser en utilisant des techniques de levage appropriées.

## Utilisez votre notice d'utilisation

Nous nous réservons le droit d'apporter à tout moment des modifications au logiciel pour corriger des erreurs ou pour modifier les fonctionnalités décrites dans la présente notice.

### Graphiques

Le vélo illustré dans cette notice peut être légèrement différent de votre vélo, mais il est suffisamment similaire pour vous permettre de comprendre nos instructions.

Les côtés DROIT et GAUCHE sont déterminés en se plaçant en situation, dans le sens de la marche du vélo. Lorsqu'une ligne en pointillé (-----) apparaît, l'élément auquel il est fait référence n'est pas visible.

# Utilisation de votre système de commande Bosch

## Consignes de sécurité



**Lisez attentivement toutes les instructions et consignes de sécurité.** Le non-respect des instructions et consignes de sécurité peut provoquer un choc électrique, un incendie et/ou entraîner de graves blessures.

**Conservez tous les avertissements et toutes les instructions pour pouvoir s'y reporter ultérieurement.**

Le terme **accu** utilisé dans la présente notice d'utilisation désigne un accu/une batterie d'eBike Bosch d'origine.

- ▶ **Ne vous laissez pas distraire par l'affichage sur l'ordinateur de bord.** Si vous ne vous concentrez pas pleinement sur les conditions de circulation, vous risquez d'être impliqué dans un accident. Pour changer de niveau d'assistance et effectuer des entrées dans votre ordinateur de bord, arrêtez-vous et saisissez les données souhaitées.
- ▶ **Réglez la luminosité de l'écran de façon à pouvoir bien voir les informations importantes telles que la vitesse ou les symboles d'avertissement.** Une luminosité mal réglée peut conduire à des situations dangereuses.
- ▶ **Avant d'entamer un programme d'entraînement, demandez conseil à un médecin concernant les efforts que vous pouvez supporter.** Vous éviterez ainsi tout risque pour la santé.
- ▶ **En cas d'utilisation d'un cardiofréquence-mètre, la fréquence cardiaque affichée peut être faussée par des interférences électromagnétiques.** Les fréquences cardiaques affichées ne sont fournies qu'à titre indicatif. Bosch n'assume aucune responsabilité pour les conséquences d'un affichage erroné des fréquences cardiaques.
- ▶ **L'ordinateur de bord Nyon n'est pas un appareil médical.** Les valeurs affichées dans le masque Fitness peuvent différer des valeurs réelles.
- ▶ **N'ouvrez pas l'ordinateur de bord.** Le fait de l'ouvrir annule la garantie. Il risquerait par ailleurs d'être détérioré.
- ▶ **Ne vous servez pas de l'ordinateur de bord comme d'une poignée.** Si vous soulevez votre vélo en le saisissant par l'ordinateur de bord, ce dernier risque d'être endommagé irrémédiablement.
- ▶ **Attention !** En cas d'utilisation de l'ordinateur de bord en mode *Bluetooth*<sup>®</sup> et/ou WiFi, les ondes émises risquent de perturber le fonctionnement de certains appareils et installations ainsi que le fonctionnement des avions et des appareils médicaux (par ex. stimulateurs cardiaques, prothèses auditives). Les ondes émises peuvent aussi avoir un effet nocif sur les personnes et les animaux qui se trouvent à proximité immédiate de l'appareil. N'utilisez pas l'ordinateur de bord en mode *Bluetooth*<sup>®</sup> à proximité d'appareils médicaux, de stations-service, d'usines chimiques et lorsque vous vous trouvez dans des zones à risque d'explosion ou dans des zones de dynamitage. N'utilisez pas l'ordinateur de bord en mode *Bluetooth*<sup>®</sup> dans les avions. Évitez une utilisation prolongée très près du corps.
- ▶ Le nom de marque *Bluetooth*<sup>®</sup> et le logo associé sont des marques déposées de la Bluetooth SIG, Inc. Toute utilisation de cette marque/de ce logo par la société Bosch eBike Systems s'effectue sous licence.
- ▶ **N'entrez aucune information et n'effectuez aucune sélection en roulant.** Toute interaction avec l'écran pendant la conduite peut provoquer des accidents graves voire mortels. Vous devez vous concentrer pleinement sur la route et sur la circula-

tion routière et respecter le code de la route à tout instant.

- ▶ **L'utilisation de votre téléphone mobile en roulant détourne votre attention. Toute perte d'attention compromet la sécurité et risque de provoquer des accidents graves voire mortels. La grande majorité des appareils mobiles sont dotés d'un mode « Ne pas déranger » évitant tout risque de distraction en roulant. Pour plus de sécurité, activez toujours le mode « Ne pas déranger » pendant que vous roulez.** Pour plus d'informations, consultez la notice de votre téléphone mobile. Lorsque vous utilisez votre vélo électrique, vous êtes tenu de tenir compte des conditions de circulation et de respecter le code de la route à tout instant.
- ▶ **N'activez pas l'assistance à la poussée pendant que vous roulez.** N'utilisez l'assistance à la poussée que pour pousser votre vélo électrique.

### Consignes de sécurité en rapport avec la navigation

- ▶ **Ne planifiez pas d'itinéraires pendant que vous roulez. Arrêtez-vous pour entrer une nouvelle destination.** Si vous ne vous concentrez pas pleinement sur la circulation routière, vous risquez d'être impliqué dans un accident.
- ▶ **Modifiez votre itinéraire si la navigation vous suggère un trajet qui s'avère risqué ou dangereux compte tenu de vos compétences de conduite.** Laissez votre appareil de navigation vous proposer un autre itinéraire.
- ▶ **Respectez toujours tous les panneaux de signalisation, même si la navigation préconise un chemin particulier.** Le système de navigation peut ne pas tenir compte des chantiers ou des déviations temporaires.
- ▶ **N'utilisez pas la navigation dans des situations critiques ou incertaines en termes de sécurité (routes barrées, déviations, etc.).** Emportez tou-

jours avec vous des cartes routières et aux moyens de communication supplémentaires.

- ▶ **Le système de navigation vous invite à effectuer une manœuvre illégale ou dangereuse sur le plan de la sécurité.** Interrompez la navigation et sélectionnez un autre itinéraire.
- ▶ **Le système de navigation vous fait passer dans une zone à risque sur le plan de la sécurité.** Interrompez la navigation et sélectionnez un autre itinéraire.
- ▶ **Le système de navigation ne vous guide pas vers le service d'urgence le plus proche en cas de nécessité.** Envoyez un appel d'urgence et renseignez-vous sur le chemin le plus direct.
- ▶ **Le système de navigation indique une position incorrecte du vélo.** Informez-vous auprès d'une autre source sur votre position actuelle.
- ▶ **Le volume du système de navigation empêche le cycliste d'entendre le trafic environnant.** Assurez-vous de pouvoir à tout moment entendre les bruits de la circulation pour pouvoir réagir à temps aux dangers.

### Consignes de sécurité pour la charge de l'accu de l'ordinateur de bord

- ▶ **Ne rechargez l'ordinateur de bord que via une source d'alimentation USB (5 V, 1500 mA maxi) et un câble USB pour courant de charge d'au moins 1500 mA.** En cas d'utilisation d'une source d'alimentation USB ou d'un câble USB inadaptés, il y a risque d'incendie, d'explosion ou de blessures.
- ▶ **Rechargez l'ordinateur de bord à des températures supérieures à +32 °F (0 °C) et inférieures à +104 °F (40 °C). Rangez et conservez l'ordinateur de bord dans des endroits où la température n'excède pas 104 °F (40 °C).** Cela est important pour prévenir tout endommagement de l'accu de l'ordinateur de bord.
- ▶ **N'exposez pas l'ordinateur de bord à une source de chaleur ou à des températures excessives.** L'exposition à une source de chaleur (p. ex. flamme

nue) ou à des températures supérieures à 212 °F (100 °C) risque de provoquer une explosion.

- ▶ **Ne rechargez pas l'ordinateur de bord (via la prise USB) dans un environnement moite ou humide.** Toute pénétration d'eau dans l'ordinateur de bord peut provoquer un incendie ou un choc électrique.
- ▶ **Ne plongez jamais l'ordinateur de bord dans un liquide quel qu'il soit et évitez à tout prix toute pénétration de liquide à l'intérieur.** Les liquides corrosifs ou conducteurs (eau de mer, produits chimiques, produits désinfectants type eau de Javel, etc.) peuvent provoquer des courts-circuits susceptibles de déclencher un incendie, causer des blessures ou entraîner des dommages matériels.
- ▶ **Dans des conditions d'utilisation ou à des températures extrêmes, l'accu risque de fuir. Évitez tout contact avec la peau et les yeux.** L'électrolyte de l'accu est caustique et risque de brûler la peau et les tissus. En cas de contact avec la peau, rincez abondamment avec de l'eau et du savon. En cas de contact avec les yeux, rincez immédiatement avec de l'eau pendant au moins 15 minutes et demandez une assistance médicale.
- ▶ **Pour recharger l'ordinateur de bord avec une source d'alimentation USB externe, placez-le sur une surface plane ininflammable, loin de tout matériau inflammable.** Ne le posez pas sur de la moquette et d'autres isolants thermiques. Ils bloquent la circulation de l'air et peuvent causer une surchauffe de l'ordinateur de bord. Si vous observez un dégagement de fumée ou des traces de fusion au niveau de l'ordinateur de bord, débranchez aussitôt la source d'alimentation USB externe et n'utilisez plus l'ordinateur de bord. Contactez sans délai le service clients.
- ▶ **Contrôlez l'état de l'ordinateur de bord, du câble et de la prise avant chaque utilisation.** N'utilisez plus l'ordinateur de bord si vous constatez un quelconque dommage. Un ordinateur de bord, un câble de charge ou une prise qui ne sont pas en parfait

état augmentent le risque d'incendie, d'explosion ou de blessure corporelle.

- ▶ **Ne démontez pas l'ordinateur de bord.** Il ne comporte aucune pièce réparable ou remplaçable par l'utilisateur. Un remontage incorrect peut provoquer un incendie ou une explosion.
- ▶ **Lisez et respectez les consignes de sécurité et les instructions de toutes les notices d'utilisation du système eBike, ainsi que la notice d'utilisation de votre eBike.**

**REMARQUE :** Cet équipement respecte les limites d'exposition aux rayonnements définies par la FCC pour un environnement non contrôlé. Cet équipement doit être installé et utilisé en maintenant une distance minimale de 20 cm entre la source de rayonnement et votre corps. Cet émetteur ne doit pas être placé à proximité d'une autre antenne ou d'un autre émetteur ou être utilisé en combinaison avec n'importe quelle autre antenne ou émetteur :

1. L'appareil ne doit pas produire de brouillage, et
2. l'utilisateur de l'appareil doit accepter tout brouillage radioélectrique subi, même si le brouillage est susceptible d'en compromettre le fonctionnement.

**REMARQUE :** Tous les changements et toutes les modifications apportés à cet équipement qui ne sont pas approuvés de façon explicite par Robert Bosch GmbH risquent d'annuler l'autorisation FCC d'utilisation de cet équipement.

**REMARQUE :** Cet équipement a été testé et déclaré conforme aux limites applicables aux appareils numériques de classe B, selon la section 15 de la réglementation FCC. Ces limites sont destinées à assurer une protection raisonnable contre les interférences nuisibles dans une installation résidentielle. Cet équipement génère, utilise et peut émettre de l'énergie radiofréquence qui, en cas d'installation et d'utilisation non conforme aux instructions, peut provoquer des interférences susceptibles de perturber les communications radio. Toutefois, rien ne garantit l'absence d'interférences dans une installation particulière. Si



cet appareil produit des interférences perturbant la réception des programmes radio ou télévision (peut être mis en évidence en éteignant et rallumant l'appareil), il est conseillé à l'utilisateur d'essayer de réduire ces interférences en prenant l'une ou plusieurs des mesures suivantes :

- Modifier l'orientation ou l'emplacement de l'antenne réceptrice.
- Éloigner l'appareil du récepteur.
- Connecter l'appareil à une prise différente de celle dans laquelle est branché le récepteur.
- Demander conseil au fournisseur ou à un technicien spécialisé en radio/télévision.

**Information sur l'exposition aux rayonnements radiofréquence :** La puissance rayonnée par cet appareil est très inférieure aux limites d'exposition aux ondes radio définies par la FCC. Néanmoins, l'appareil doit être utilisé de façon à minimiser la possibilité de contact humain avec l'antenne en fonctionnement normal.

**REMARQUE :** Cet appareil est conforme à la partie 15 du règlement de la FCC. L'utilisation est autorisée sous réserve des deux conditions suivantes :

1. L'appareil ne doit pas produire de brouillage, et
2. l'utilisateur de l'appareil doit accepter tout brouillage radioélectrique subi, même si le brouillage est susceptible d'en compromettre le fonctionnement.

#### **Remarques ISDE (Canada)**

Cet appareil contient un/des émetteur(s)/récepteur(s) exempt(s) de licence conforme(s) aux CNR d'Innovation, Sciences et Développement économique Canada applicables aux équipements exempts de licence. L'utilisation est autorisée sous réserve des deux conditions suivantes :

1. l'appareil ne doit pas produire de brouillage, et
2. l'appareil doit accepter tout brouillage radioélectrique subi, même si le brouillage est susceptible d'en compromettre le fonctionnement.

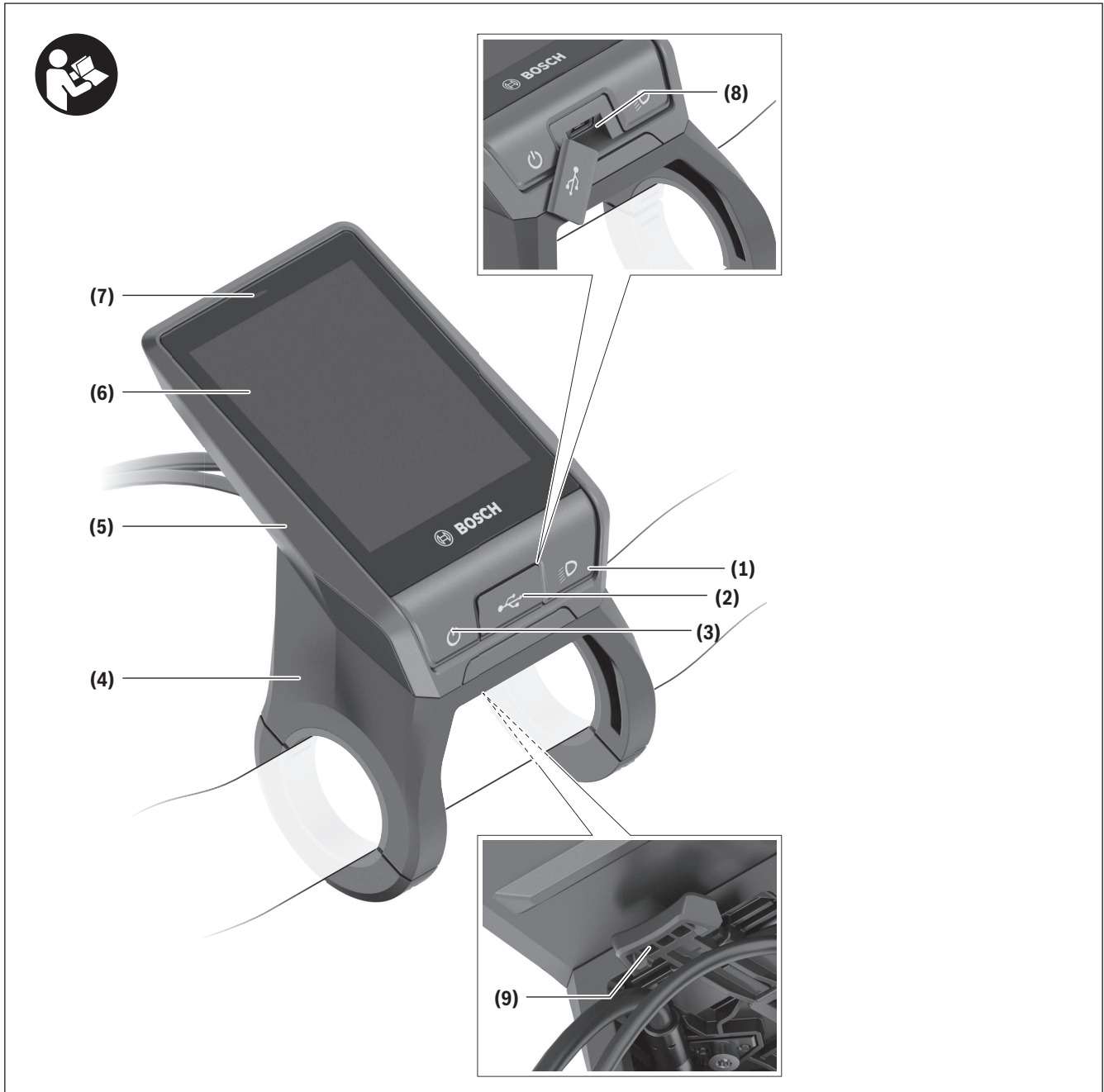
Cet équipement respecte les limites d'exposition aux rayonnements définies par le Canada pour un envi-

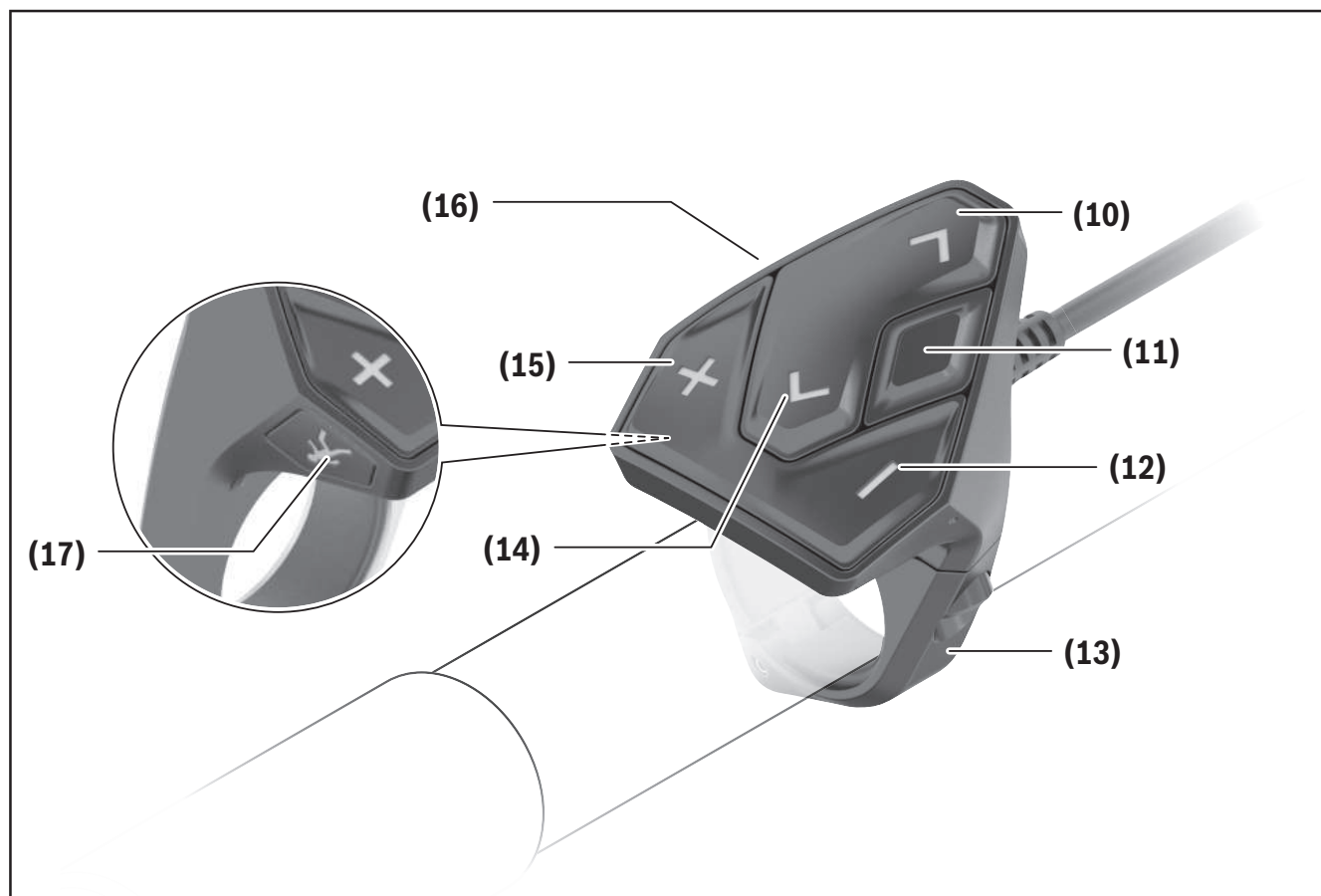
ronnement non contrôlé. Cet équipement doit être installé et utilisé en maintenant une distance minimale de 20 cm entre la source de rayonnement et votre corps. Cet émetteur ne doit pas être placé à proximité d'une autre antenne ou d'un autre émetteur ou être utilisé en combinaison avec n'importe quelle autre antenne ou émetteur.

#### **Remarque relative à la protection des données**

Quand l'ordinateur de bord est envoyé au Service Bosch pour entretien ou réparation, il se peut que les données enregistrées en mémoire soient transmises à Bosch.

## Description des prestations et du produit





## Éléments constitutifs

Toutes les pièces de vélo, à l'exception de l'unité d'entraînement, de l'ordinateur et de l'unité de commande, du capteur de vitesse et de leurs fixations sont représentées de manière schématique, elles peuvent différer par rapport à celles réellement installées sur votre vélo électrique.

- (1) Touche d'éclairage du vélo
- (2) Cache de protection de la prise USB
- (3) Touche Marche/Arrêt de l'ordinateur de bord
- (4) Support de l'ordinateur de bord<sup>A)</sup>
- (5) Ordinateur de bord
- (6) Écran (tactile)
- (7) Capteur de luminosité
- (8) Prise USB
- (9) Mécanisme de déverrouillage
- (10) Touche pour parcourir vers l'avant
- (11) Touche de sélection
- (12) Touche pour réduire le niveau d'assistance
- (13) Support de l'unité de commande
- (14) Touche pour parcourir vers l'arrière
- (15) Touche pour augmenter le niveau d'assistance
- (16) Unité de commande
- (17) Touche d'assistance au démarrage/à la poussée **WALK**

A) Pour la fixation sur le guidon, des solutions spécifiques client aussi sans les colliers de guidon sont possibles.

## Utilisation conforme

L'ordinateur de bord **Nyon (BUI350)** est spécialement conçu pour une utilisation conjointe avec un système eBike Bosch et pour afficher des données de parcours.

Nous nous réservons le droit d'apporter à tout moment des modifications au logiciel pour corriger des erreurs ou pour modifier les fonctionnalités décrites dans la présente notice.

Pour en savoir plus, rendez-vous sur le site [www.Bosch-eBike.com](http://www.Bosch-eBike.com).

Vous trouverez des instructions sur l'utilisation de l'application mobile et du portail dans la notice d'utilisation en ligne disponible sous [www.Bosch-eBike.com](http://www.Bosch-eBike.com).

L'ordinateur de bord **Nyon (BUI350)** n'est pas adapté à une navigation sans vélo (pour les randonneurs ou les automobilistes par ex.).

## Caractéristiques techniques

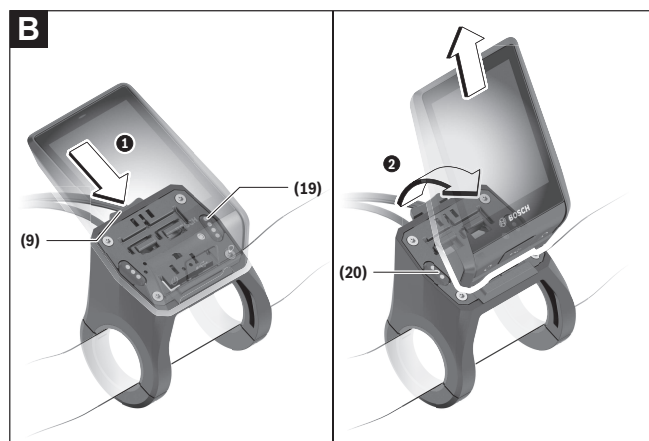
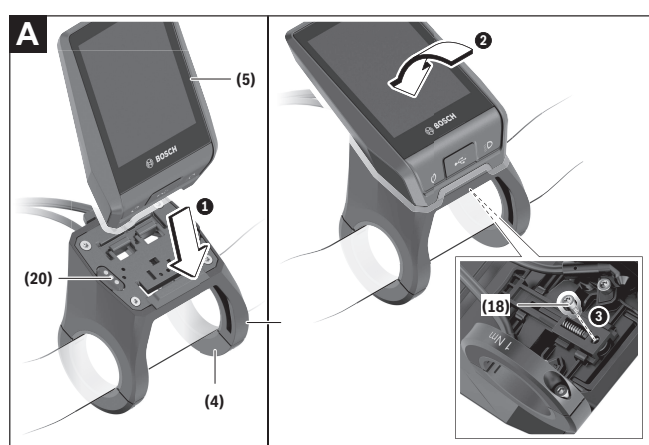
Ordinateur de bord		Nyon
Code produit		BUI350
Mémoire interne totale	Go	8
Courant de charge maxi (en sortie) de la prise USB	mA	1 500
Tension de charge maxi de la prise USB	V	5
Câble de charge USB		1 270 016 360
Températures de fonctionnement	°F	23 ... 104
Températures de stockage	°F	50 ... 104
Plage de températures de charge	°F	32 ... 104
Accu Li-ion interne	V mAh	3,7 1 000
Indice de protection		IP x5
Normes WiFi supportées		802.11b/g/n (2,4 GHz)
Poids (approx.)	lbs	0,44

Ordinateur de bord		Nyon
WiFi		
– Fréquence	MHz	2 400–2 480
– Puissance d'émission	mW	< 100
Bluetooth®		
– Fréquence	MHz	2 400–2 480
– Puissance d'émission	mW	< 10

## Montage

- **Désactivez l'ordinateur de bord et retirez-le pour monter le support de fixation ou modifier sa position.** Vous évitez ainsi tout dysfonctionnement/erreur d'utilisation.
- **Désactivez l'ordinateur de bord et retirez-le pour monter ou démonter la vis de blocage.** Vous évitez ainsi tout dysfonctionnement/erreur d'utilisation.

### Mise en place et retrait de l'ordinateur de bord



- (4) Support de l'ordinateur de bord<sup>A)</sup>
- (5) Ordinateur de bord
- (9) Mécanisme de déverrouillage
- (18) Vis de blocage de l'ordinateur de bord

(19) Contacts vers l'unité d'entraînement

(20) Contacts vers l'unité de commande

A) Pour la fixation sur le guidon, des solutions spécifiques client aussi sans les colliers de guidon sont possibles.

Pour **mettre en place** l'ordinateur de bord (5), appliquez sa partie inférieure contre le support de fixation (4) et rabattez-le vers l'avant jusqu'à ce qu'il s'enclenche de façon audible. Assurez-vous que l'ordinateur de bord s'est correctement enclenché.

Pour **retirer** l'ordinateur de bord (5), appuyez sur le mécanisme de déverrouillage (9) et dégagez-le par le haut.

► **Retirez l'ordinateur de bord lorsque vous garez votre vélo électrique.**

Il est possible de bloquer le mécanisme de déverrouillage avec une vis. Pour cela, démontez le support (4) du guidon. Placez l'ordinateur de bord sur son support. Vissez par en dessous la vis de blocage fournie (18) (filetage M3, 5 mm de long) dans le trou fileté du support prévu à cet effet. Remontez le support sur le guidon.

**Remarque :** La vis de blocage n'est pas une véritable protection antivol.

## Fonctionnement

### Mise en marche du système eBike Bosch

#### Conditions préalables

Le système eBike ne peut être activé que si les conditions suivantes sont réunies :

- La batterie de vélo électrique utilisée est suffisamment chargée (voir la notice d'utilisation de la batterie).
- L'ordinateur de bord est correctement inséré dans son support.
- L'accu de l'ordinateur de bord doit être suffisamment chargé.

#### Mise en marche/arrêt du système eBike

Pour **mettre en marche** le système eBike, vous avez les possibilités suivantes :

- L'ordinateur de bord et la batterie étant en place sur le vélo, appuyez brièvement une fois sur le bouton Marche/Arrêt **(3)** de l'ordinateur de bord.
- L'ordinateur de bord étant en place dans son support, appuyez sur la touche Marche/Arrêt de la batterie (certains fabricants de vélos proposent des solutions sans accès possible à la touche Marche/Arrêt de la batterie ; voir la notice d'utilisation de la batterie).

Le système d'entraînement eBike est activé dès que vous appuyez sur les pédales (sauf quand l'assistance à la poussée est active ou avec le niveau d'assistance **OFF**). La puissance du moteur est déterminée par le niveau d'assistance paramétré au niveau de l'ordinateur de bord.

Dès que vous arrêtez de pédaler en mode normal ou dès que vous avez atteint une vitesse de **20/28 mph**, le système d'entraînement eBike désactive l'assistance. L'entraînement se réactive automatiquement dès que vous vous mettez à pédaler et que la vitesse est inférieure à **20/28 mph**.

Pour **arrêter** le système eBike, vous avez les possibilités suivantes :

- Appuyez sur la touche Marche/Arrêt **(3)** de l'ordinateur de bord pendant au moins 3 secondes.

- Désactivez la batterie en actionnant la touche Marche/Arrêt (certains fabricants de vélos proposent des solutions sans accès possible à la touche Marche/Arrêt de la batterie ; voir la notice d'utilisation de la batterie).

**Remarque :** Le **Nyon (BUI350)** est alors mis en mode veille.

- Retirez l'ordinateur de bord de son support. Si le système eBike n'est pas sollicité pendant 10 minutes (du fait par ex. que le vélo est à l'arrêt) et qu'en même temps aucune touche de l'ordinateur de bord ou de l'unité de commande de votre vélo électrique n'est actionnée, le système eBike s'arrête automatiquement de même que la batterie afin d'économiser l'énergie.

Le **Nyon (BUI350)** passe alors en mode veille.

#### Mode veille

Vous pouvez si souhaité placer votre ordinateur de bord dans un mode veille permettant une remise en marche plus rapide de votre ordinateur de bord et du système.

Pour cela, procédez comme suit :

- Appuyez sur la touche Marche/Arrêt **(3)** de l'ordinateur de bord pendant au moins 1 seconde mais pas plus de 3 secondes.
- Attendez 10 minutes que le système s'arrête.
- Désactivez la batterie en actionnant sa touche Marche/Arrêt.

Pour quitter le mode veille, appuyez sur la touche Marche/Arrêt **(3)** de l'ordinateur de bord pendant 1 seconde.

Si le niveau de charge de l'accu de l'ordinateur de bord est inférieur à 75 %, le mode veille est quitté et l'ordinateur de bord s'éteint automatiquement. L'ordinateur de bord s'arrête dans tous les cas à minuit (0 heure).

Au cas où le **Nyon (BUI350)** ne peut pas être mis en marche ou ne fonctionne pas correctement, actionnez longuement la touche Marche/Arrêt (env. 15 se-

conde). Cela peut faire disparaître le dysfonctionnement.

## Alimentation en énergie de l'ordinateur de bord

Trois conditions doivent être réunies pour que la batterie du vélo électrique alimente en énergie et charge l'accu de l'ordinateur de bord : l'ordinateur de bord doit être en place dans son support **(4)**, une batterie suffisamment chargée doit être en place sur le VAE et le système eBike doit être activé.

Après avoir été retiré de son support **(4)**, l'ordinateur de bord est alimenté en énergie via son accu. Si l'accu de l'ordinateur de bord est faible, un message d'avertissement s'affiche à l'écran.

Pour recharger l'accu de l'ordinateur de bord, replacez-le sur son support **(4)**. Ayez à l'esprit que si vous n'êtes pas en train de recharger la batterie de votre vélo, le système eBike se désactive automatiquement au bout de 10 minutes en l'absence d'actionnement d'une touche. Dans ce cas, l'accu de l'ordinateur cessera lui aussi d'être rechargé.

Vous pouvez également recharger l'ordinateur de bord via la prise USB **(8)**. Pour cela, ouvrez le capuchon de protection **(2)**. Branchez la prise USB de l'ordinateur de bord via un câble micro-USB compatible à un chargeur USB standard (pas fourni) ou à la prise USB d'un ordinateur (tension de charge maxi de **5 V**, courant de charge maxi **1500 mA**).

Si l'accu de l'ordinateur de bord n'est pas rechargé, la date et l'heure seront conservées pendant env. 6 mois.

**Remarque :** Pour prolonger au maximum la durée de vie de l'accu de l'ordinateur de bord, il est conseillé de recharger l'accu pendant une heure tous les trois mois.

### Prise USB

La prise USB permet de recharger l'ordinateur de bord.

Ouvrez pour cela le cache de protection **(2)** de la prise USB **(8)** de l'ordinateur de bord. Connectez la

prise USB de l'appareil externe à la prise USB **(8)** de l'ordinateur de bord au moyen d'un câble USB Micro A/Micro B normalisé (disponible chez votre revendeur VAE Bosch).

Après utilisation, remettez soigneusement en place le cache de protection **(2)** sur la prise USB.

**Une connexion USB n'est pas étanche à l'eau. En cas de trajets sous la pluie, ne branchez aucun appareil externe à la prise USB et assurez-vous que le cache de protection (2) est bien en place.**

Il n'est pas possible de recharger des appareils externes via la prise USB.

### Indicateur de niveau de charge de l'accu

Le niveau de charge de la batterie du vélo **g** (voir « **<Écrans VAE>** », Page Français – 18) apparaît sur la ligne d'état. L'état de charge de la batterie du vélo électrique peut également être lu au niveau des LED de la batterie proprement dite.

Couleur de l'affichage	Explication
Blanc	La batterie du vélo électrique est chargée à plus de 30 %.
Jaune	La batterie du vélo électrique est chargée entre 15 % et 30 %.
Rouge	La batterie du vélo électrique est chargée entre 0 % et 15 %.
Rouge + !	La capacité à disposition pour l'assistance électrique est épuisée. L'assistance est désactivée. La capacité restante de la batterie sera utilisée pour l'éclairage du vélo et pour l'ordinateur de bord.

Un message apparaît quand la batterie du vélo électrique est en train d'être chargé sur le vélo.

Si l'ordinateur de bord est retiré de son support **(4)**, le dernier niveau de charge de batterie affiché restera mémorisé.

### Mise en service de l'ordinateur de bord

- ▶ **Avant la première utilisation, retirez le film de protection d'écran.** S'il n'est pas enlevé, le film de protection risque d'altérer les performances/fonctionnalités de l'ordinateur de bord.
- ▶ **En cas d'utilisation de films de protection d'écran, la pleine fonctionnalité de l'ordinateur de bord ne peut pas être garantie.**

Nyon est livré avec un accu partiellement chargé. Avant la première utilisation, chargez complètement l'accu Nyon via la prise USB ou via le système eBike. Vous pouvez vous mettre à rouler peu de temps (env. 4 seconde) après avoir allumé l'ordinateur de bord. L'ordinateur de bord charge ensuite la totalité du système d'exploitation en arrière-plan.

**Remarque :** Lors de sa première mise en marche, l'ordinateur de bord a besoin de plus de temps pour être opérationnel.

Quand l'ordinateur de bord est connecté à un réseau WiFi, l'utilisateur est informé de l'existence éventuelle d'une nouvelle mise à jour. Téléchargez alors la mise à jour et installez la nouvelle version.

### Création d'un identifiant

Pour pouvoir utiliser toutes les fonctions du système de commande, vous devez vous inscrire en ligne. Un identifiant vous permet entre autres d'afficher vos données de parcours, de planifier vos itinéraires en mode hors connexion puis de les transférer vers l'ordinateur de bord.

Vous pouvez créer un identifiant de deux façons : dans l'application **Bosch eBike Connect** de votre smartphone ou directement sur le site [www.eBike-Connect.com](http://www.eBike-Connect.com). Pour vous inscrire, renseignez les données requises. L'application **Bosch eBike Connect** est téléchargeable gratuitement dans l'App Store (pour les iPhones Apple) ou dans le Google Play Store (pour les smartphones Android).

### Connexion de l'ordinateur de bord au portail

La connexion de l'ordinateur de bord au portail s'effectue via une connexion WiFi.

Procédez comme suit :

- Appuyez sur **<Connexion>** dans le **<Écran d'état>**.
- Sélectionnez **<Wifi>**.
- Sélectionnez un réseau.
- Renseignez votre identifiant et votre mot de passe. Une fois la connexion établie, toutes les données sont synchronisées avec l'ordinateur de bord.

### Connexion de l'ordinateur de bord à l'application Bosch eBike Connect

Pour établir une connexion avec le smartphone, procédez comme suit :

- Ouvrez l'application.
- Sélectionnez l'onglet **<Mon VAE>**.
- Sélectionnez **<Ajouter un nouveau VAE>**.
- Ajoutez **Nyon (BUI350)**.

Il apparaît alors dans l'application un message vous invitant à actionner sur l'ordinateur de bord la touche éclairage vélo **(1)** pendant 5 s.

Actionnez la touche **(1)** pendant 5 s. L'ordinateur de bord active automatiquement la connexion *Bluetooth® Low Energy* et passe dans le mode appairage.

Suivez les indications apparaissant sur l'écran. Au terme de la procédure d'appairage, les données utilisateur sont synchronisées.

**Remarque :** La connexion *Bluetooth®* ne doit pas être activée manuellement.

### Réglage du niveau d'assistance

Vous pouvez sélectionner sur l'unité de commande **(16)** le niveau d'assistance au pédalage. Le niveau d'assistance peut être modifié à tout moment, même en roulant.

**Remarque :** Sur certaines versions, le niveau d'assistance est préréglé et ne peut pas être modifié. Sur d'autres, il peut y avoir moins de niveaux d'assistance que ce qui est indiqué ici.



Les niveaux d'assistance suivants sont disponibles :

- **OFF** : l'assistance électrique est désactivée, le vélo ne peut être utilisé que comme un vélo normal sans assistance. L'assistance à la poussée ne peut pas être activée.
- **ECO** : assistance efficace avec le rendement maximal, pour disposer d'une autonomie maximale
- **TOUR** : assistance régulière, pour de grands trajets et de grandes randonnées
- **SPORT/eMTB** :
  - SPORT** : assistance puissante pour parcours sportifs sur chemins montagneux ainsi que pour la circulation urbaine
  - eMTB** : assistance optimale sur tous terrains, démarrage sportif, dynamique améliorée, performances maximales (**eMTB** seulement disponible en combinaison avec les unités d'entraînement BDU250P CX, BDU365, BDU450 CX et BDU480 CX. Une mise à jour logicielle est parfois nécessaire.)
- **TURBO** : assistance maximale jusqu'à des fréquences de pédalage élevées, pour conduite sportive

Pour **augmenter** le niveau d'assistance, appuyez sur la touche **+** (**15**) de l'unité de commande jusqu'à ce que le niveau d'assistance souhaité s'affiche. Pour **réduire** le niveau d'assistance, appuyez sur la touche **-** (**12**).

La puissance moteur sollicitée apparaît au niveau de l'affichage **j**. La puissance maximale du moteur dépend du niveau d'assistance sélectionné.

### Activation/désactivation de l'assistance à la poussée

L'assistance à la poussée vous permet de pousser le vélo électrique en exerçant moins d'effort. La vitesse possible avec cette fonction dépend de la vitesse sélectionnée sur le vélo. Elle est au maximum de **3,7 mph**. Elle sera d'autant plus faible (à pleine puissance) que la vitesse sélectionnée est plus petite.

► **La fonction assistance à la poussée ne doit être utilisée que quand vous poussez le vélo électrique.** Les roues du vélo doivent être en contact avec le sol lorsque l'assistance à la poussée est utilisée, sans quoi vous risqueriez de vous blesser.

Pour **activer** l'assistance à la poussée, actionnez brièvement la touche **WALK** de votre ordinateur de bord. Après l'activation, appuyez dans les 3 s qui suivent sur la touche **+** et maintenez-la enfoncée. Le système d'entraînement eBike se met alors en marche.

**Remarque** : L'assistance à la poussée n'est pas activable dans le niveau d'assistance **OFF**.

L'assistance à la poussée **se désactive** dès que l'une des situations suivantes se produit :

- Vous relâchez la touche **+**,
- les roues du vélo électrique se bloquent (par ex. si vous actionnez les freins ou heurtez un obstacle),
- la vitesse devient supérieure à **3,7 mph**.

Le fonctionnement de l'assistance de poussée est tributaire de la législation en vigueur dans chaque pays et peut donc différer de ce qui a été indiqué ci-dessus. L'assistance à la poussée peut même être désactivée.

### Activation/désactivation de l'éclairage du vélo

Sur les vélos où l'éclairage est alimenté par le système eBike, les feux avant et arrière peuvent être allumés et éteints simultanément en actionnant la touche **(1)** de l'ordinateur de bord.

Vérifiez le fonctionnement de l'éclairage du vélo avant chaque départ.

Quand l'éclairage est allumé, l'affichage éclairage vélo **f** s'allume sur la barre d'état de l'écran.

Le fait d'allumer ou d'éteindre l'éclairage du vélo n'a aucune incidence sur le rétro-éclairage de l'écran.

### Lock (fonction premium)

La fonction Lock peut être achetée dans la **<Acheter>** de l'application eBike Connect. Après avoir activé la fonction Lock, l'assistance électrique de l'unité d'entraînement est désactivée lors du retrait de l'ordi-

nateur de bord. Elle ne peut être activée qu'à partir de l'ordinateur de bord du vélo électrique.

Vous trouverez des instructions détaillées dans la notice d'utilisation en ligne, sur le site [www.Bosch-eBike.com](http://www.Bosch-eBike.com)

### Le suivi des déplacements

Pour enregistrer les activités, il est nécessaire de vous inscrire ou connecter sur le portail eBike Connect ou l'application Bosch eBike Connect.

Pour saisir les activités, vous devez accepter la mémorisation des données de position sur le portail et dans l'application. Il n'est sinon pas possible d'afficher vos activités sur le portail ou l'application. Pour que la position soit enregistrée, il faut que l'ordinateur de bord soit connecté à l'application Bosch eBike Connect.

Après une synchronisation, les activités sont visibles dans l'application et le portail déjà pendant le roulage.

### eShift (optionnel)

eShift indique qu'un système de passage de vitesses électronique est associé au système eBike. Les composants eShift sont reliés électriquement à l'unité d'entraînement par le fabricant. Les systèmes de passage de vitesses électroniques sont décrits dans une notice d'utilisation à part.

### Mises à jour logicielles

Quand le **Nyon (BUI350)** est connecté en mode WiFi, il contrôle automatiquement s'il n'y a pas une version de logiciel plus récente. En présence d'une mise à jour logicielle, l'utilisateur reçoit un message. L'utilisateur peut aussi chercher manuellement les mises à jour sous **<Paramètres système>**.

### Informations sur la conduite avec le système eBike

#### Entretien du système eBike

Respectez les températures de fonctionnement et de stockage des composants du système d'assistance électrique. Protégez l'unité d'entraînement, l'ordina-

teur de bord et la batterie des températures extrêmes (par exemple d'une exposition intense aux rayons du soleil en l'absence d'aération). Les composants (notamment la batterie) peuvent être endommagés lorsqu'ils sont exposés à des températures extrêmes.

Veillez à une bonne propreté de l'écran de l'ordinateur de bord Nyon. En cas de présence de saletés, la détection de luminosité ambiante risque de ne plus fonctionner. En mode de navigation, la commutation jour/nuit risque de ne plus se faire.

Un brusque changement des conditions ambiantes peut entraîner la formation de buée sur la face interne de l'écran. La buée disparaît généralement après peu de temps dès qu'il y a eu équilibre des températures.

### Le système de commande Nyon

Le système de commande Nyon se compose de trois composantes :

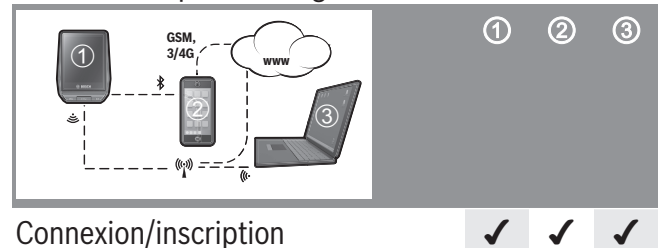
1. l'ordinateur de bord Nyon avec l'unité de commande
2. l'application mobile **Bosch eBike Connect**
3. le portail en ligne [www.eBike-Connect.com](http://www.eBike-Connect.com)

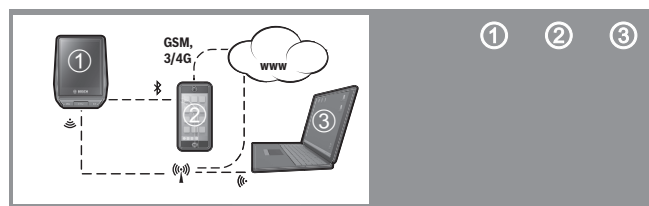
De nombreux paramètres de configuration et fonctions peuvent être gérés et utilisés sur tous les composants. Certains paramètres de configuration et certaines fonctions ne sont atteignables ou utilisés que sur certains composants. La synchronisation des données s'effectue automatiquement en cas de connexion *Bluetooth*<sup>®</sup>/Internet. Le tableau suivant donne un aperçu des fonctions disponibles.

Fonctions de l'ordinateur de bord ①

Fonctions de l'appli pour smartphone ②

Fonctions du portail en ligne ③





	①	②	③
Modification de la configuration	✓	✓	✓
Saisie des données de conduite	✓		
Affichage en temps réel des données de conduite	✓		
Préparation/analyse des données de conduite		✓	✓
Création d'affichages personnalisés	✓		
Affichage de la position actuelle	✓ <sup>A)</sup>	✓ <sup>A)</sup>	✓
Navigation	✓		
Calcul d'itinéraire	✓	✓	✓
Affichage de l'autonomie restante (cercle autour de la position actuelle)	✓		
Effet d'entraînement en temps réel	✓		
Vue d'ensemble des parcours		✓	✓
Achat de fonctions Premium		✓	

A) GPS requis

### Fonctions Premium

Nous avez la possibilité de compléter les fonctions standard du système de commande **Nyon (BUI350)** en achetant des **fonctions Premium** sur l'App Store (pour les iPhones d'Apple) ou sur le Google Play Store (pour les appareils Android).

Plusieurs fonctions Premium payantes sont disponibles en plus de l'application gratuite **Bosch eBike Connect**. Vous trouverez une liste détaillée des applis supplémentaires disponibles dans la notice d'utilisation en ligne, sur le site [www.Bosch-eBike.com](http://www.Bosch-eBike.com).

## Affichage et configuration de l'ordinateur de bord

**Remarque :** Toutes les représentations écran et textes d'interface des pages suivantes se rapportent à la version initiale du logiciel au moment de sa mise sur le marché. Il peut arriver après une mise à jour que les représentations écran et/ou texte d'interface diffèrent quelque peu.

Le Nyon est doté d'un écran tactile. Vous pouvez feuilleter et parcourir les masques d'écran en balayant l'écran vers la droite ou vers la gauche avec un doigt. Dans le masque d'état, la sélection de fonctions ou sous-menus s'effectue par appui avec un doigt.

Le Nyon dispose de masques d'écran standards et de masques d'écran prédéfinis. L'utilisateur peut aussi créer ses propres masques d'écran. L'ordre et le nombre de masques d'écran peut être défini librement. Jusqu'à 25 tuiles peuvent être utilisées pour les masques d'écran. Les différents masques d'écran seront décrits dans le détail après avoir montré la configuration de base à l'achat de l'ordinateur de bord.

Les masques d'écran standards sont les suivants :

- <Écrans VAE>
- <Écran d'état>
- <Écran Carte>
- <Écran Données trajet>
- <Écran d'analyse>

Les masques d'écran prédéfinis sont les suivants :

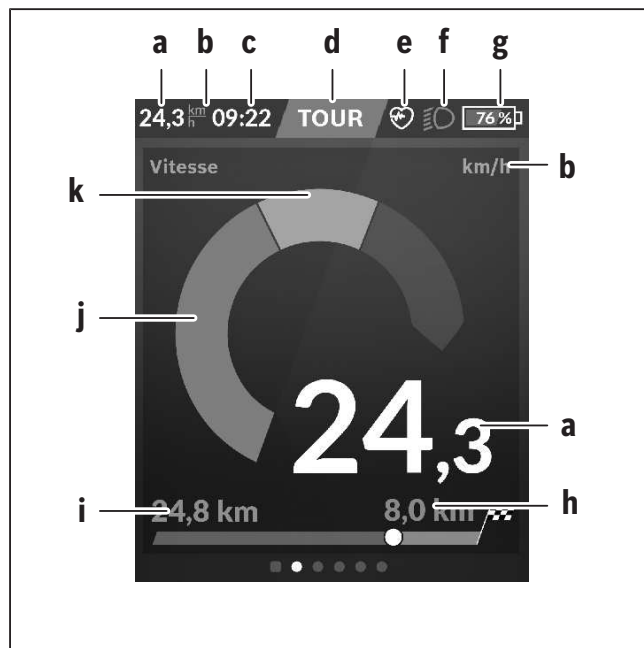
- <Écran Forme>
- <Écran eMTB>
- <Écran de Base>

Les touches < (14) et > (10) permettent de sélectionner, aussi bien à l'arrêt qu'en roulant, les différents masques contenant des formations sur la conduite et le parcours. Vous pouvez ainsi garder les deux mains sur le guidon lorsque vous roulez.

Les touches + (15) et - (12) permettent d'augmenter et de réduire le niveau d'assistance.

Les <Réglages> sélectionnables à partir du <Écran d'état> ne sont pas modifiables pendant que vous roulez.

### <Écrans VAE>



- a** Vitesse
- b** Unité de vitesse
- c** Heure<sup>A)</sup>  
L'heure affichée est celle du faisceau horaire sélectionné. Le réglage est automatique via GPS.
- d** Niveau d'assistance  
La couleur de l'écran varie selon le niveau d'assistance.
- e** Connexion à un cardiofréquencemètre  
Sert aussi à l'affichage de certains événements. Il y a affichage au moment où l'événement survient (p. ex. connexion à un smartphone).
- f** Éclairage du vélo  
Le symbole apparaît quand l'éclairage est allumé.
- g** Charge de la batterie du vélo

**h** Information sur l'autonomie<sup>B)C)</sup>

**i** Distance parcourue

**j** Puissance du moteur

**k** Puissance de pédalage

A) Sur les VAE avec ABS, l'inscription **((ABS))** remplace l'affichage de l'heure au démarrage du système ou apparaît en cas de dysfonctionnement de l'ABS.

B) Quand la navigation est active, un drapeau à damier et le kilométrage restant jusqu'à la destination s'affichent du côté droit de l'échelle. Si la charge de la batterie du vélo est suffisante pour arriver à destination, la partie droite de l'échelle s'affiche en vert. Si la partie droite de l'échelle s'affiche en orange ou en rouge, il n'est pas certain / pas possible que vous arriviez à destination avec le niveau d'assistance réglé. Pour arriver à destination avec la capacité restante de la batterie, sélectionnez un niveau d'assistance plus faible.

C) Quand la navigation est **désactivée**, il apparaît à gauche les kilomètres parcourus.

Les affichages **a ... g** constituent la barre d'état et apparaissent sur chaque masque d'écran.

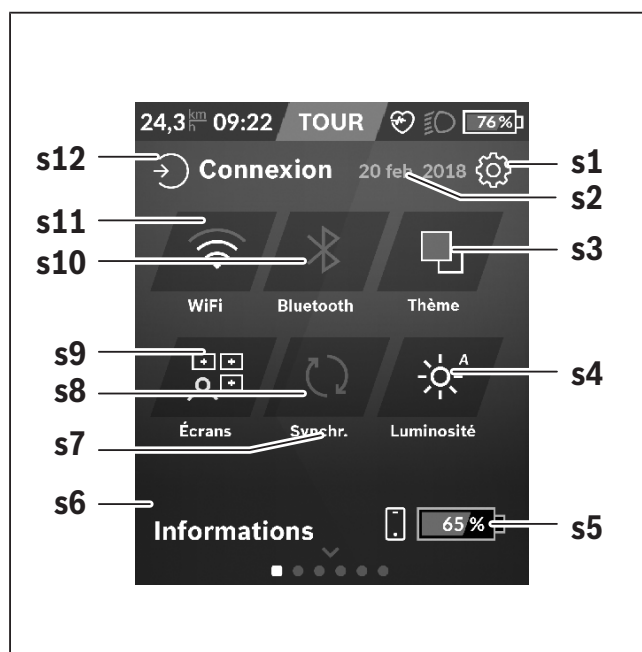
Lorsque l'ordinateur de bord est retiré de son support, la barre d'état change et prend l'aspect suivant :



**l** Charge de l'accu de l'ordinateur de bord  
En présence d'une connexion *Bluetooth*<sup>®</sup> et/ou WiFi apparaissent au centre les icônes correspondants.

**g** Charge de la batterie du vélo  
Dernier niveau de charge de la batterie du vélo électrique

## <Écran d'état>



**s1** Bouton **<Réglages>**

**s2** Date

**s3** **<Thème>**

Permet de commuter entre arrière-plan clair et foncé.

**s4** Bouton **<Luminosité>**

Permet de sélectionner les niveaux de luminosité suivants : 25 % | 50 % | 75 % | 100 % | Auto.

**s5** Niveau de charge du smartphone

**s6** **<Informations>**

C'est ici que sont affichés les derniers événements (p. ex. téléchargement carte).

**s7** Dernière synchronisation

**s8** Bouton Synchronisation

**s9** Bouton **<Écrans>**

Permet de modifier l'ordre et le contenu des masques d'écran.

**s10** Bouton **<Bluetooth>**

**Appui bref** : Activation/désactivation

**Appui prolongé** : Accès rapide au menu *Bluetooth*<sup>®</sup>

**s11** Bouton **<Wifi>**

**Appui bref** : Activation/désactivation

**Appui prolongé** : Accès rapide au menu WiFi

**s12 <Connexion>**

Permet à l'utilisateur de se connecter avec son identifiant.

**<Réglages>**

Le menu Paramètres est accessible à partir du masque d'état. Les **<Réglages>** ne sont pas accessibles et modifiables pendant que vous roulez.

Effectuez un appui court sur le bouton Paramètres **<Réglages>** et sélectionnez le réglage/sous-menu souhaité. La flèche Retour permet de revenir au menu précédent. Pour refermer le menu Paramètres, appuyez sur le symbole **x** (à droite de la ligne d'en-tête).

Le premier niveau du menu Paramètres comprend les zones suivantes :

– **<Param. carte>**

**<Param. carte>** permet de sélectionner le mode de représentation de la carte (2D ou 3D), de contrôler les cartes téléchargées ou mises à jour des cartes et télécharger les cartes recommandées.

– **<Mon VAE>** – Réglages relatifs à votre vélo électrique :

Vous pouvez remettre à zéro automatiquement ou manuellement les compteurs (kilométrage journalier, valeurs moyennes, etc.) et l'autonomie. Vous pouvez modifier de  $\pm 5\%$  la circonférence de roue pré-réglée par le fabricant. Si votre vélo électrique est doté d'un système **eShift**, vous pouvez ici configurer aussi votre système eShift. Le concessionnaire vélos peut programmer un certain kilométrage et/ou intervalle de temps comme échéance d'entretien. Sur la page Composants du vélo sont affichés le numéro de série, les versions matérielle et logicielle ainsi que d'autres caractéristiques importantes de chaque composant.

– **<Personnalisation>**

Cette option de menu permet d'adapter les masques d'écran et le contenu des tuiles à vos besoins personnels.

– **<Connexions>**

Vous pouvez ici paramétrer les connexions *Bluetooth*<sup>®</sup> et WiFi

– **<Mon profil>**

Permet de saisir ou adapter les données de l'utilisateur actif.

– **<Paramètres système>**

Vous permet d'afficher la vitesse et la distance en kilomètres ou en miles, l'heure au format 12 heures ou 24 heures, de sélectionner l'heure, la date et le fuseau horaire et de choisir la langue de votre choix. Vous pouvez réinitialiser le Nyon, démarrer une mise à jour du logiciel (si disponible) et choisir entre un design noir ou un design blanc.

– **<Informations>**

Remarques sur la FAQ (Foire Aux Questions), certifications, données de contact, informations sur les licences. Vous trouverez une description détaillée des différents paramètres dans la notice d'utilisation en ligne, sur le site [www.Bosch-eBike.com](http://www.Bosch-eBike.com).

## <Écran Carte>

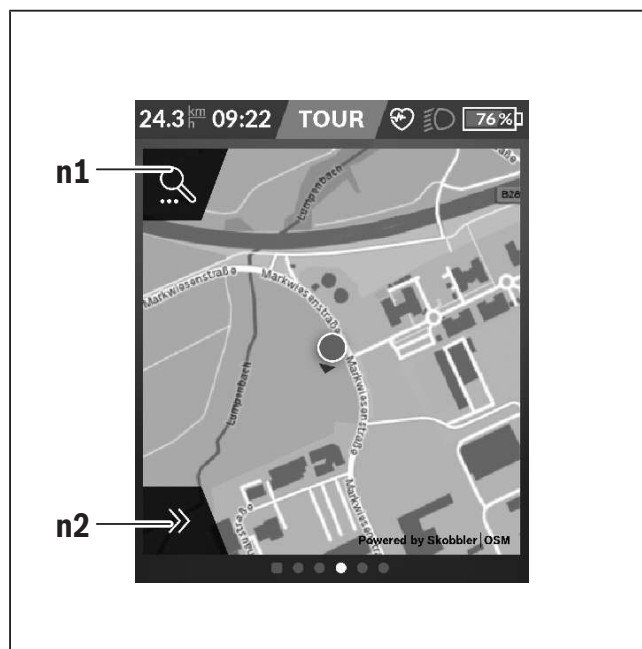
La navigation s'effectue à partir de cartes basées sur Open Street Map (OSM).

Lorsque vous allumez le Nyon, celui-ci commence par effectuer une recherche de satellites pour la réception de signaux GPS. Dès que le nombre de satellites trouvés est suffisant, la couleur du point de position passe de gris à bleu. En cas de mauvaises conditions météorologiques ou de réception des signaux, la recherche de satellites peut prendre plus de temps. Si aucun satellite n'est trouvé après une durée assez longue, redémarrez le Nyon.

La première recherche de satellites peut prendre quelques minutes.

Pour améliorer la précision de la position, effectuez la première recherche de satellites avec une vue dégagée vers le ciel. Attendez quelques minutes sans bouger, même si votre position a déjà été trouvée.

Dès que le Nyon a trouvé votre position, cette dernière s'affichera sur la carte. Pour **agrandir** la portion de carte visible, touchez l'écran tactile avec **deux** doigts et écartez les doigts. Pour **réduire** la portion de carte visible, rapprochez les doigts. Pour **déplacer** la carte, déplacez les deux doigts dans le sens voulu. Pour **sélectionner une destination**, laissez un doigt immobile sur la carte à l'endroit voulu.



**n1** Recherche de navigation

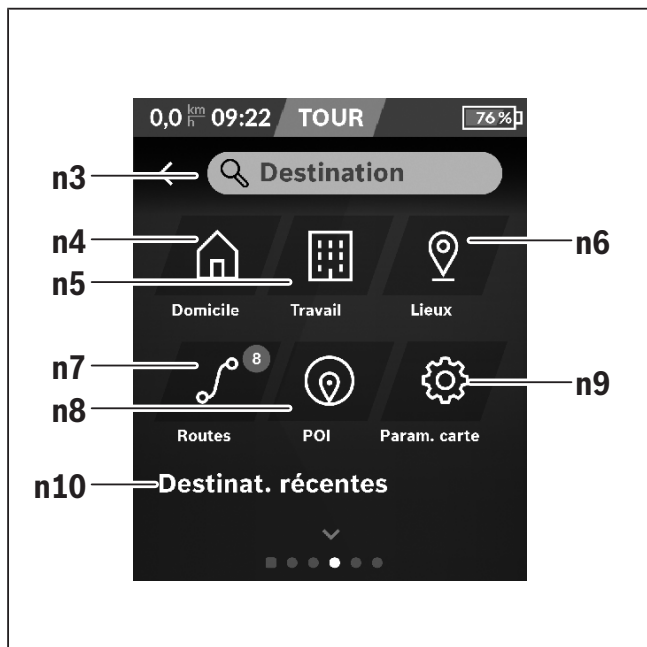
**n2** Fonctions de navigation

Les fonctions de navigation **n2** vous permettent de sélectionner vos destinations de façon à ce que vous puissiez les atteindre avec le niveau de charge actuel de la batterie.

Pendant une navigation, autrement dit un guidage à destination, l'utilisateur reçoit des informations lui permettant de savoir s'il va pouvoir atteindre sa destination avec le niveau de charge actuel de la batterie de son vélo et le niveau d'assistance sélectionné.

Le cercle autour de la position actuelle vous indique jusqu'où vous pourrez aller avec la charge actuelle de la batterie, compte tenu du niveau d'assistance réglé et du dénivelé du parcours. Si vous changez le niveau d'assistance, la taille du cercle s'adapte en fonction.

Si vous sélectionnez la recherche de navigation **n1**, il apparaît le menu suivant :



- n3** Champ de saisie **<Destination>**  
Vous pouvez indiquer ici une adresse de destination ou un centre d'intérêt (restaurant, etc.). Il apparaîtra alors à l'affichage (dépend de ce que vous avez demandé) toutes les adresses possibles dans un périmètre de 100 km.
- n4** Bouton **<Domicile>**  
Ce bouton sélectionne comme adresse de destination votre adresse de domicile.<sup>A)</sup>
- n5** Bouton **<Travail>**  
Ce bouton sélectionne comme adresse de destination votre lieu de travail.<sup>A)</sup>
- n6** Bouton **<Lieux>**  
Ce bouton donne accès aux lieux mémorisés qui ont été synchronisés à partir de l'application mobile ou du portail.
- n7** Bouton **<Routes.>**  
Affiche les itinéraires mémorisés puis synchronisés sur le portail.
- n8** Bouton **<POI>**  
Ce bouton vous permet de trouver des points d'intérêt général (POI), p. ex. des restaurants ou magasins d'alimentation.

**n9** Bouton **<Param. carte>**

Ce bouton permet de modifier la représentation des cartes ou de gérer les cartes téléchargées.

**n10** **<Destinat. récentes>**

Il apparaît ici les derniers itinéraires et lieux où vous avez été.

A) Les données de l'application et du portail sont reprises et affichées.

Après avoir indiqué la destination apparaît en premier l'itinéraire le plus rapide (**<Rapide>**). Vous pouvez aussi choisir l'itinéraire la plus pittoresque (**<Pittoresque>**) ou l'itinéraire VTT (**<VTT>**). Vous pouvez aussi vous laisser guider jusqu'à votre domicile (si vous avez indiqué une adresse de domicile sur le portail) ou bien rappeler soit l'une des dernières destinations, soit une destination ou un itinéraire mémorisés. L'ordinateur de bord calcule et affiche l'autonomie restante de la batterie sur la base des données topographiques. Le calcul de l'autonomie topographique est limité à 100 km.

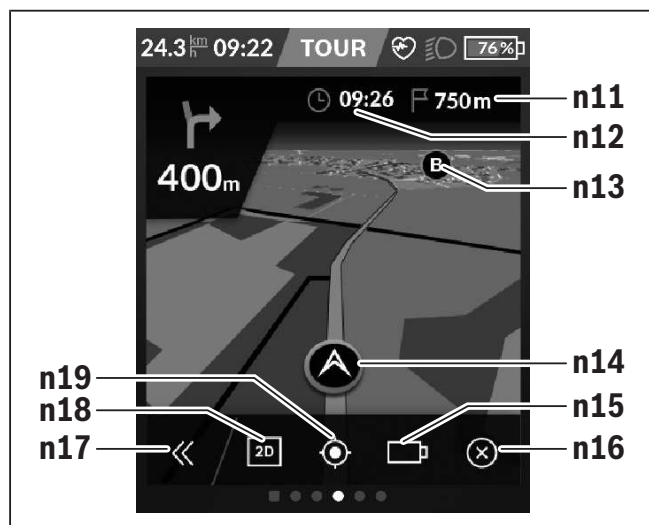
Si vous avez importé ou planifié des itinéraires GPX via le portail en ligne, ceux-ci vous seront transférés sur votre Nyon via *Bluetooth*<sup>®</sup> ou une connexion WiFi. Vous pouvez démarrer ces itinéraires, en cas de besoin. Si vous vous trouvez à proximité de l'itinéraire, vous pouvez vous laisser guider jusqu'au point de départ ou démarrer directement la navigation le long de l'itinéraire.

À des températures inférieures à 32 °F, des écarts importants peuvent survenir lors de la mesure de l'altitude.

**Navigation active**

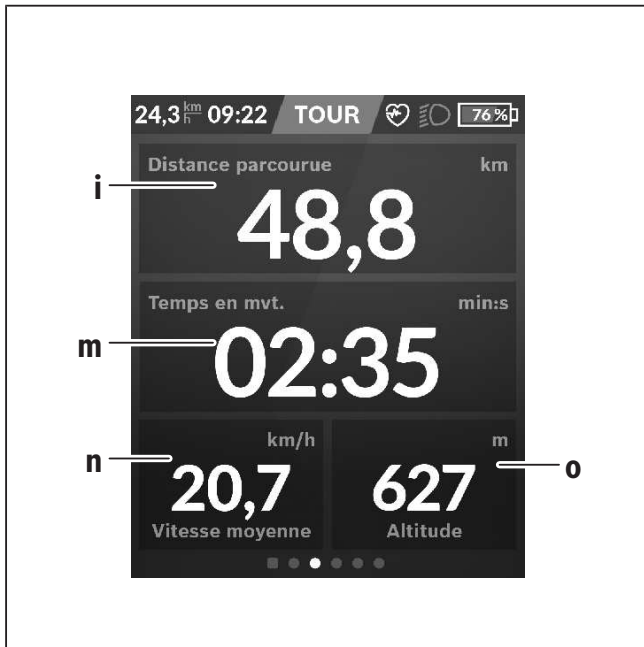
La figure ci-dessous montre en guise d'exemple une navigation active avec la signification des symboles représentés.





- n11** Distance jusqu'à la destination
- n12** Heure d'arrivée
- n13** Destination
- n14** Position actuelle
- n15** Indicateur d'autonomie de l'accu
- n16** Terminer la navigation active
- n17** Ouverture/fermeture panneau (retour à la recherche)
- n18** Commutation entre vue 2D et vue 3D
- n19** Centrage de la vue (retour à la position actuelle)

### <Écran Données trajet>



- i** <Distance parcourue>  
Affichage de la distance parcourue
- m** <Temps en mvt>  
Affichage de la durée de parcours
- n** <Vitesse moyenne>  
Affichage de la vitesse moyenne
- o** <Altitude>  
Affichage de l'altitude

### <Écran d'analyse>



- p** <Utilisation mode conduite>  
Affichage de l'utilisation des différents modes de conduite
- q** <Vitesse max>  
Affichage de la vitesse maximale
- r** <Dénivelé positif>  
Affichage du dénivelé
- s** <Puissance moy.>  
Affichage du rapport entre la puissance de pédalage et la puissance du moteur

## Création d'un masque d'écran personnalisé

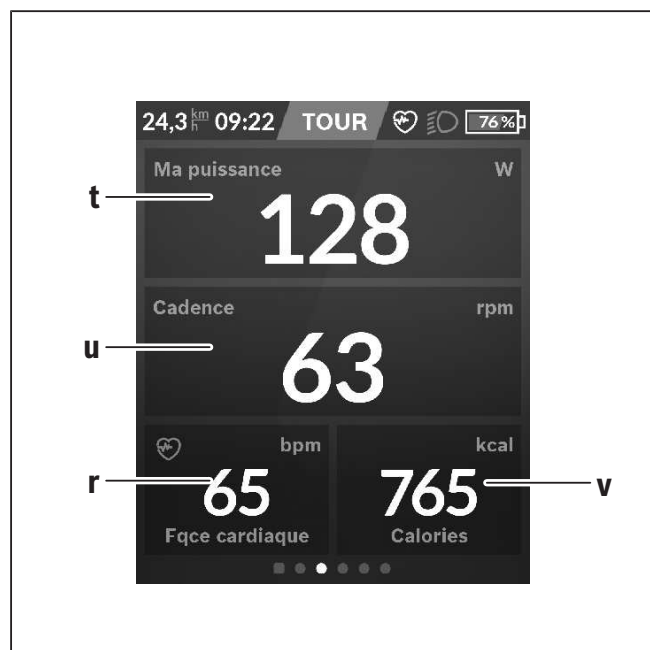
Pour intégrer des masques d'écran prédéfinis ou créer de nouveaux masques, sélectionnez le masque d'état et appuyez sur le bouton Adapter masques **s9**. Tout en bas de l'écran apparaissent 4 icônes permettant d'effectuer une adaptation.

Vous pouvez aussi sélectionner la fonction via **<Réglages>** → **<Écrans>**.

Vous disposez des possibilités suivantes :

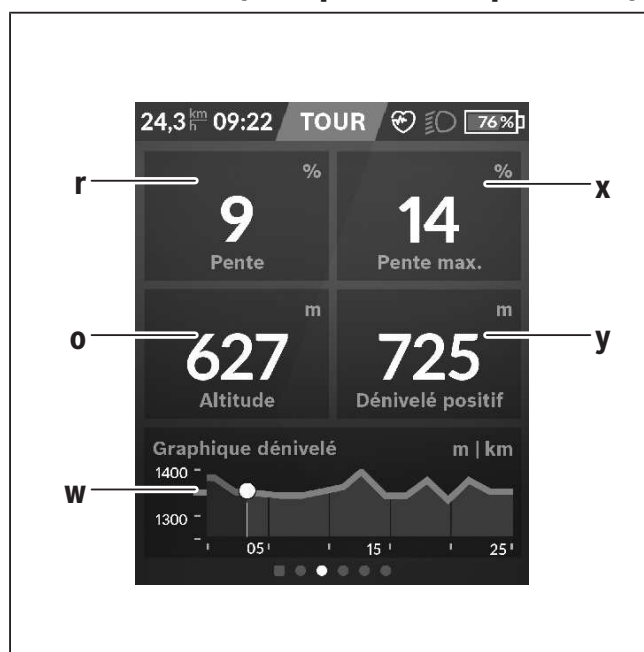
- Déplacer les masques d'écran
- Créer de nouveaux masque d'écran
- Effacer des masques d'écran
- Ajouter des masques d'écran prédéfinis

## <Écran Forme> (masque d'écran prédéfini)



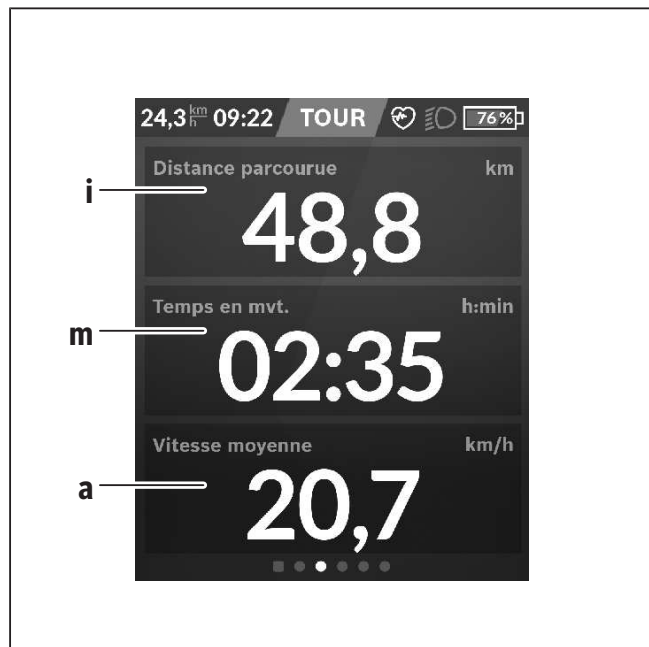
- t** **<Ma puissance>**  
Affichage de la puissance de pédalage
- u** **<Cadence>**  
Affichage de la fréquence de pédalage
- r** **<Fqce cardiaque>**  
Affichage de la fréquence cardiaque
- v** **<Calories>**  
Affichage du nombre de kilocalories brûlées

## <Écran eMTB> (masque d'écran prédéfini)



- r** **<Pente>**  
Affichage du dénivelé
- o** **<Altitude>**  
Affichage de l'altitude
- w** **<Graphique dénivelé>**  
Affichage du profil du parcours
- x** **<Pente max.>**  
Affichage de la pente maximale
- y** **<Dénivelé positif>**  
Affichage du dénivelé

## <Écran de Base> (masque d'écran prédéfini)



- i** <Distance parcourue>  
Affichage de la distance parcourue
- m** <Temps en mvt>  
Affichage de la durée de parcours
- a** <Vitesse moyenne>  
Affichage de la vitesse moyenne

### <Menu rapide>

Le menu rapide affiche certains réglages pouvant aussi être modifiés pendant que vous roulez.

Le menu rapide est accessible à l'aide de la touche de sélection **(11)**. Les touches **< (14)** et **> (10)** permettent de changer de sous-menu. La sélection des options des sous-menus s'effectue à l'aide des touches **+ (15)** et **- (12)**.

Il n'est pas possible d'accéder au **<Menu rapide>** à partir du **<Écran d'état>**.

Le **<Menu rapide>** donne accès aux sous-menus suivants :

- **<Réinit. trajet>**  
Ce sous-menu permet de remettre à zéro toutes les données relatives au trajet effectué jusque là.
- **<Sélectionner une destination>**  
Ce sous-menu permet de mémoriser la position actuelle ou de se laisser guider jusqu'à son domicile.
- **<Zoom sur la carte>**  
Ce sous-menu permet d'agrandir ou réduire la portion de carte visible à l'écran.
- **<Luminosité>**  
Ce sous-menu permet de sélectionner les niveaux de luminosité suivants : 25 % | 50 % | 75 % | 100 % | Auto.
- **<Thème>**  
Ce sous-menu permet de commuter entre arrière-plan clair et foncé.
- **<eShift>** (optionnel)  
Ce sous-menu permet de régler la fréquence de pédalage.
- **<Mode de conduite personnalisé>** (fonction premium, disponible sur l'App Store ou Google Play Store)  
Ce sous-menu permet de sélectionner des modes de conduite personnalisés.
- **<Menu rapide>**  
Ce sous-menu permet de quitter le **<Menu rapide>**.

## Résolution des problèmes

Les éléments du système eBike sont contrôlés automatiquement en permanence. Si un défaut est détecté, le code de défaut correspondant s'affiche sur l'ordinateur de bord.

Certains défauts déclenchent la désactivation automatique de l'assistance électrique. Il est alors pos-

sible de continuer à rouler mais à la seule force des mollets. Faites contrôler votre vélo électrique avant de l'utiliser pour d'autres trajets.

► **Ne confiez les réparations qu'à un revendeur agréé.**

Code	Cause	Remède
410	Une ou plusieurs touches de l'ordinateur de bord sont bloquées.	Contrôlez si les touches sont coincées, par ex. suite à la pénétration de saletés. Le cas échéant, nettoyez les touches.
414	Problème de connexion de l'unité d'affichage	Faites contrôler les raccordements et connexions
418	Une ou plusieurs touches de l'unité de commande sont bloquées.	Contrôlez si les touches sont coincées, par ex. suite à la pénétration de saletés. Le cas échéant, nettoyez les touches.
419	Erreur de configuration	Redémarrez le système. Si le problème persiste, rendez-vous chez votre revendeur Bosch.
422	Problème de connexion de l'unité d'entraînement	Faites contrôler les raccordements et connexions
423	Problème de connexion de la batterie du vélo électrique	Faites contrôler les raccordements et connexions
424	Erreur de communication des composants entre eux	Faites contrôler les raccordements et connexions
426	Erreur de timeout interne	Redémarrez le système. Si le problème persiste, rendez-vous chez votre revendeur Bosch. Il n'est pas possible, en présence de ce défaut, d'aller dans le menu Configuration de base pour afficher ou modifier la circonférence de pneu.
430	Accu interne de l'ordinateur de bord vide (pas pour BUI350)	Rechargez l'ordinateur de bord (dans son support ou via la prise USB)
431	Erreur de version de logiciel	Redémarrez le système. Si le problème persiste, rendez-vous chez votre revendeur Bosch.
440	Défaut interne de l'unité d'entraînement	Redémarrez le système. Si le problème persiste, rendez-vous chez votre revendeur Bosch.
450	Erreur interne du logiciel	Redémarrez le système. Si le problème persiste, rendez-vous chez votre revendeur Bosch.

Code	Cause	Remède
460	Défaut sur la prise USB	Débranchez le câble de la prise USB de l'ordinateur de bord. Si le problème persiste, rendez-vous chez votre revendeur Bosch.
490	Défaut interne de l'ordinateur de bord	Faites vérifier l'ordinateur de bord
500	Défaut interne de l'unité d'entraînement	Redémarrez le système. Si le problème persiste, rendez-vous chez votre revendeur Bosch.
502	Dysfonctionnement de l'éclairage du vélo	Contrôlez l'éclairage et son câblage. Redémarrez le système. Si le problème persiste, rendez-vous chez votre revendeur Bosch.
503	Défaut du capteur de vitesse	Redémarrez le système. Si le problème persiste, rendez-vous chez votre revendeur Bosch.
504	Manipulation du signal de vitesse détectée.	Contrôlez la position de l'aimant de rayon, corrigez sa position si nécessaire. Vérifiez s'il n'y a pas eu manipulation (tuning). L'assistance est réduite.
510	Défaut interne du capteur	Redémarrez le système. Si le problème persiste, rendez-vous chez votre revendeur Bosch.
511	Défaut interne de l'unité d'entraînement	Redémarrez le système. Si le problème persiste, rendez-vous chez votre revendeur Bosch.
530	Dysfonctionnement de la batterie	Arrêtez le système eBike, retirez la batterie et remettez-la en place. Redémarrez le système. Si le problème persiste, rendez-vous chez votre revendeur Bosch.
531	Erreur de configuration	Redémarrez le système. Si le problème persiste, rendez-vous chez votre revendeur Bosch.
540	Défaut de température	Le vélo électrique se trouve en dehors de la plage de températures admissible. Arrêtez le système eBike et laissez la température de l'unité d'entraînement remonter ou redescendre jusque dans la plage de températures admissibles. Redémarrez le système. Si le problème persiste, rendez-vous chez votre revendeur Bosch.
550	Un consommateur électrique non autorisé a été détecté.	Retirez le consommateur électrique. Redémarrez le système. Si le problème persiste, rendez-vous chez votre revendeur Bosch.
580	Erreur de version de logiciel	Redémarrez le système. Si le problème persiste, rendez-vous chez votre revendeur Bosch.
591	Erreur d'authentification	Arrêtez le système eBike. Retirez la batterie et remettez-la en place. Redémarrez le système. Si le problème persiste, rendez-vous chez votre revendeur Bosch.

Code	Cause	Remède
592	Composant non compatible	Utilisez un écran compatible. Si le problème persiste, rendez-vous chez votre revendeur Bosch.
593	Erreur de configuration	Redémarrez le système. Si le problème persiste, rendez-vous chez votre revendeur Bosch.
595, 596	Erreur de communication	Contrôlez le câblage vers le moyeu et redémarrez le système. Si le problème persiste, rendez-vous chez votre revendeur Bosch.
602	Défaut interne de la batterie	Redémarrez le système. Si le problème persiste, rendez-vous chez votre revendeur Bosch.
603	Défaut interne de la batterie	Redémarrez le système. Si le problème persiste, rendez-vous chez votre revendeur Bosch.
605	Défaut de température de la batterie	La batterie se trouve en dehors de la plage de températures admissible. Arrêtez le système eBike et laissez la batterie revenir dans la plage de températures admissibles. Redémarrez le système. Si le problème persiste, rendez-vous chez votre revendeur Bosch.
606	Défaut externe de la batterie	Vérifiez le câblage. Redémarrez le système. Si le problème persiste, rendez-vous chez votre revendeur Bosch.
610	Défaut de tension de la batterie	Redémarrez le système. Si le problème persiste, rendez-vous chez votre revendeur Bosch.
620	Dysfonctionnement du chargeur	Remplacez le chargeur. Rendez-vous chez votre revendeur Bosch.
640	Défaut interne de la batterie	Redémarrez le système. Si le problème persiste, rendez-vous chez votre revendeur Bosch.
655	Défaut multiple de la batterie	Arrêtez le système eBike. Retirez la batterie et remettez-la en place. Redémarrez le système. Si le problème persiste, rendez-vous chez votre revendeur Bosch.
656	Erreur de version de logiciel	Rendez-vous chez votre revendeur Bosch pour qu'il effectue une mise à jour du logiciel.
7xx	Défaut de composants d'autres fabricants	Consultez la notice d'utilisation du fabricant du composant.
Pas d'affichage	Défaut interne de l'ordinateur de bord	Redémarrez le système eBike en l'éteignant et en le rallumant.

## Nettoyage et entretien

- ▶ **Désactivez l'ordinateur de bord avant d'entreprendre des travaux de nettoyage, maintenance ou entretien au niveau de l'ordinateur de bord ou son support de fixation.** Vous éviterez ainsi tout dysfonctionnement/erreur d'utilisation.

Ne nettoyez jamais les composants avec de l'eau sous pression.

Veillez à une bonne propreté de l'écran de votre ordinateur de bord. En cas de présence de saletés, la détection de luminosité ambiante risque de ne plus fonctionner.

Pour nettoyer votre ordinateur de bord, utilisez un chiffon doux, légèrement humide. Utilisez uniquement de l'eau et aucun produit nettoyant.

Faites contrôler votre système eBike au moins une fois par an sur le plan technique (partie mécanique, version du logiciel système, etc.).

Le concessionnaire de vélos peut en plus programmer un certain kilométrage et/ou intervalle de temps comme échéance d'entretien. Quand le prochain entretien est arrivé à échéance, l'ordinateur de bord vous en informe à chaque mise en marche.

Pour le service après-vente ou les réparations sur votre vélo électrique, adressez-vous à un vélociste agréé.

- ▶ **Ne confiez les réparations qu'à un revendeur agréé.**



## Programme de recyclage des accus



L'unité d'entraînement, l'ordinateur de bord et son unité de commande, la batterie, le capteur de vitesse, les accessoires et l'emballage doivent être triés afin d'être recyclés de façon respectueuse de l'environnement.

Ne jetez pas les systèmes eBike et leurs éléments constitutifs dans les ordures ménagères !



Pour recycler votre batterie Bosch, appelez le 1.800.822.8837.



# Índice

Introducción .....	2
Acerca de las advertencias .....	2
Advertencias generales .....	2
Utilización de sus Instrucciones de servicio .....	2
Operación de su sistema de transmisión Bosch.....	4
Indicaciones de seguridad.....	4
Descripción del producto y servicio .....	8
Montaje.....	11
Operación .....	12
Indicaciones y configuración del ordenador de a bordo .....	18
Resolución de problemas .....	27
Mantenimiento y limpieza .....	30
Programa de reciclaje de baterías .....	31

# Introducción

## Acerca de las advertencias

Este manual contiene muchos **PELIGROS**, **ADVERTENCIAS**, y **PRECAUCIONES** sobre las consecuencias de una falta de uso, montaje, mantenimiento, almacenamiento, inspección y eliminación de una eBike equipada por Bosch de modo seguro.

- La combinación del símbolo de alerta de seguridad y la palabra **PELIGRO** indica una situación peligrosa que, si no se evita, ocasionará la muerte o lesiones graves.

- La combinación del símbolo de alerta de seguridad y la palabra **ADVERTENCIA** indica una situación peligrosa que, si no se evita, podría provocar la muerte o lesiones graves.
- La combinación del símbolo de alerta de seguridad y la palabra **PRECAUCIÓN** indica una situación peligrosa que, si no se evita, podría ocasionar lesiones leves o moderadas.

## Advertencias generales



**Lea íntegramente todas las indicaciones de seguridad e instrucciones.** No seguir las advertencias e instrucciones siguientes puede provocar la muerte o lesiones graves.

### Guarde todas las indicaciones de seguridad e instrucciones para posibles consultas futuras.

El término **batería** empleado en este manual del usuario se refiere a todas las baterías para eBike originales de Bosch.

#### **▲ ADVERTENCIA**

- ▶ **Este manual contiene información importante de seguridad, rendimiento y mantenimiento.** Léalo antes de usar su nueva bicicleta y guárdelo a modo de referencia. Puede encontrar el manual también en línea en [www.bosch-ebike.com](http://www.bosch-ebike.com).
- ▶ **Este manual está previsto para su lectura junto con el manual de usuario aparte que venía con su bicicleta.** Antes de usar la bici por primera vez, asegúrese de leer toda la documentación facilitada, incluidas las etiquetas que lleva el producto.

- ▶ **Lea TODOS los manuales incluidos antes de montar en la bicicleta por primera vez.** Su sistema de accionamiento de Bosch incluye manuales y documentación adicionales proporcionados por el fabricante de la bicicleta y de otros componentes. No leer o desconocer la información de seguridad puede provocar la muerte o lesiones graves.
- ▶ **Por su propia SEGURIDAD, sea responsable.** Si tiene dudas o no entiende algo, consúltelo con su distribuidor o con el fabricante de la bicicleta o del componente.
- ▶ **Algunos accesorios de la eBike pueden suponer un peligro de atragantamiento para los niños pequeños.** Mantenga esos accesorios alejados de los niños.

#### **▲ PRECAUCIÓN**

- ▶ **El sistema de accionamiento de Bosch incrementa el peso de su bicicleta, que puede que no esté acostumbrado a levantar.** Evite las lesiones; utilice técnicas de elevación adecuadas.

## Utilización de sus Instrucciones de servicio

Además de las funciones aquí representadas, puede ser que se introduzcan en cualquier momento modifi-

caciones de software para la eliminación de errores y modificaciones de funciones.

## Gráficos

La bicicleta que se muestra en este manual puede diferir ligeramente de la suya; no obstante, las similitudes son suficientes para ayudarle a entender nuestras instrucciones.

Los lados DERECHO e IZQUIERDO se indican mirando en el sentido que la bicicleta tendrá al circular hacia delante. Si ve una línea discontinua (-----), el elemento al que se refiere está oculto a la vista.

# Operación de su sistema de transmisión Bosch

## Indicaciones de seguridad



**Lea íntegramente todas las indicaciones de seguridad e instrucciones.** Las faltas de observación de las indicaciones de seguridad y de las instrucciones pueden causar descargas eléctricas, incendios y/o lesiones graves.

### Guarde todas las indicaciones de seguridad e instrucciones para posibles consultas futuras.

El término **batería** empleado en este manual del usuario se refiere a todas las baterías para eBike originales de Bosch.

- ▶ **No permita que las indicaciones del ordenador de a bordo le distraigan.** Si no centra su atención exclusivamente en el tráfico, se arriesga a verse implicado en un accidente. Si desea introducir en el ordenador de a bordo datos que van más allá del cambio de nivel de asistencia, deténgase para efectuar dichas entradas.
- ▶ **Ajuste la luminosidad de la pantalla de modo que pueda percibir adecuadamente las informaciones importantes, como la velocidad o los símbolos de advertencia.** Una luminosidad de la pantalla incorrectamente ajustada puede llevar a situaciones peligrosas.
- ▶ **Antes de empezar un programa de entrenamiento, consulte a su médico sobre el esfuerzo que puede asumir.** Solo así evitará un posible sobreesfuerzo.
- ▶ **Si utiliza un sensor de frecuencia cardíaca, es posible que la frecuencia indicada esté distorsionada por interferencias electromagnéticas.** Las frecuencias cardíacas indicadas solo sirven a modo de referencia. No se asumen responsabilidades por las consecuencias derivadas de frecuencias cardíacas indicadas erróneamente.
- ▶ **Nyon no es un producto relacionado con la tecnología médica.** Los valores que se muestran en la pantalla de fitness pueden diferir de los valores reales.
- ▶ **No intente abrir el ordenador de a bordo.** El ordenador de a bordo se puede destruir al abrirlo y así se pierde el derecho de garantía.
- ▶ **No utilice el ordenador de a bordo como asidero.** Si se levanta la eBike por el ordenador de a bordo, este puede dañarse irreparablemente.
- ▶ **¡Cuidado!** El uso del ordenador de a bordo con *Bluetooth*<sup>®</sup> y/o WiFi puede provocar anomalías en otros aparatos y equipos, en aviones y en aparatos médicos (p.ej. marcapasos, audífonos, etc.). Tampoco puede descartarse por completo el riesgo de daños en personas y animales que se encuentren en un perímetro cercano. No utilice el ordenador de a bordo con *Bluetooth*<sup>®</sup> cerca de aparatos médicos, gasolineras, instalaciones químicas, zonas con riesgo de explosión ni en zonas con atmósfera potencialmente explosiva. No utilice el ordenador de a bordo con *Bluetooth*<sup>®</sup> en aviones. Evite el uso prolongado de esta herramienta en contacto directo con el cuerpo.
- ▶ La marca de palabra *Bluetooth*<sup>®</sup> como también los símbolos (logotipos) son marcas de fábrica registradas y propiedad de Bluetooth SIG, Inc. Cada utilización de esta marca de palabra/símbolo por Bosch eBike Systems tiene lugar bajo licencia.
- ▶ **No introduzca información o haga selecciones durante la circulación.** La interacción con la pantalla mientras se conduce puede provocar accidentes que causen lesiones graves o la muerte. Debe observar las condiciones de la carretera y el tráfico, y cumplir con las leyes de tráfico en todo momento.
- ▶ **El uso del dispositivo móvil mientras se maneja una eBike puede causar una distracción. La conducción distraída es un grave problema de seguridad y puede provocar accidentes que causen**

**lesiones graves o la muerte. Para evitar la distracción al conducir, la mayoría de los dispositivos vienen equipados con un modo "No molestar". El modo "No molestar" debe ser usado mientras se conduce una eBike.** Por favor, consulte las instrucciones específicas de su dispositivo para obtener más información. Usted, como conductor de la bicicleta, es totalmente responsable de asegurar que en todo momento preste atención a las condiciones de la carretera y cumpla con las leyes de tráfico.

- ▶ **No active la función de asistencia de empuje mientras se conduce la bicicleta.** Sólo use la función de asistencia de empuje al empujar la eBike.

### Advertencias de seguridad relativas a la navegación

- ▶ **No planifique rutas mientras conduce. Deténgase e ingrese un nuevo destino solo cuando está parado.** Si no centra su atención exclusivamente en el tráfico, se arriesga a verse implicado en un accidente.
- ▶ **Interrumpa su viaje cuando el sistema de navegación le proponga una ruta que resulte arriesgada o peligrosa en función de sus competencias de conducción.** Permita que el dispositivo de navegación le proponga una ruta alternativa.
- ▶ **No ignore ninguna señal de tráfico aunque el dispositivo de navegación le indique un camino determinado.** El sistema de navegación no puede saber si hay obras o desvíos temporales en un lugar.
- ▶ **No use la navegación en situaciones críticas de seguridad o poco claras (cierres de carreteras, desvíos, etc.).** Lleve siempre consigo mapas y medios de comunicación.

- ▶ **El sistema de navegación le indica que haga una maniobra insegura o ilegal.** Cancele el sistema de navegación y elija una ruta alternativa.
- ▶ **El sistema de navegación lo guía hacia un área insegura.** Cancele el sistema de navegación y elija una ruta alternativa.
- ▶ **El sistema de navegación no lo guía a la instalación de emergencia más cercana en caso de necesidad.** Haga una llamada de emergencia y pregunte cuál es la ruta más rápida disponible.
- ▶ **El sistema de navegación indica incorrectamente la ubicación de la bicicleta.** Utilice una fuente de información secundaria para determinar dónde se encuentra actualmente.
- ▶ **El volumen del sistema de navegación evita que se escuche el tráfico circundante mientras se conduce.** Asegúrese de poder percibir en todo momento los ruidos del tráfico en las inmediaciones, para poder reaccionar adecuadamente a los posibles peligros.

### Indicaciones de seguridad para la carga del acumulador del ordenador de a bordo

- ▶ **Sólo cargue el ordenador de a bordo con una fuente de alimentación USB (5 V, 1500 mA máx.) y un cable USB con una capacidad de al menos 1500 mA.** El uso de una fuente de alimentación USB o de un cable USB no adecuado para la aplicación puede provocar un incendio, una explosión o lesiones personales.
- ▶ **Cargue el ordenador de a bordo a temperaturas superiores a +32 grados F (0 grados C) e inferiores a +104 grados F (40 grados C). Guarde el ordenador de a bordo en lugares donde la temperatura no exceda los 104 grados F (40 grados C).** Esto es importante para prevenir serios daños a la batería del ordenador de a bordo.
- ▶ **No exponga el ordenador de a bordo al fuego o a una temperatura excesiva.** La exposición al fuego o a temperaturas superiores a los 212 °F (100 °C) puede causar una explosión.

- ▶ **No recargue el ordenador de a bordo (a través del puerto USB) en un entorno húmedo o mojado.** La penetración de agua en el ordenador de a bordo puede provocar una descarga eléctrica o un incendio.
- ▶ **Nunca sumerja el ordenador de a bordo en ningún tipo de fluido ni permita que penetre en él.** Los fluidos corrosivos o conductores (como el agua de mar o los productos químicos industriales o que contienen lejía, etc.) pueden causar un cortocircuito que puede provocar incendios, lesiones personales y daños materiales.
- ▶ **La fuga de la batería puede ocurrir bajo condiciones extremas de uso o temperatura. Evite el contacto con la piel y los ojos.** El líquido de la batería es cáustico y podría causar quemaduras químicas a los tejidos. Si el líquido entra en contacto con la piel, debe lavarse rápidamente con agua y jabón. Si el líquido entra en contacto con los ojos, lávelos inmediatamente con agua durante un mínimo de 15 minutos y busque atención médica.
- ▶ **Colocar el ordenador de a bordo en superficies planas no inflamables y lejos de materiales inflamables al recargar el ordenador de a bordo utilizando una fuente de alimentación externa USB.** Las alfombras y otras superficies aislantes del calor bloquean la correcta circulación del aire, lo que puede causar un sobrecalentamiento del ordenador de a bordo. Si se observa humo o derretimiento del ordenador de a bordo, desenchufe inmediatamente la fuente de alimentación externa USB y no utilice el ordenador de a bordo. Contacte inmediatamente el servicio de atención al cliente.
- ▶ **Antes de cada uso, compruebe el ordenador de a bordo, el cable y el enchufe.** Si se detectan daños, no utilice el ordenador de a bordo. Daños en el ordenador de a bordo, los cables de carga y los enchufes aumentan el riesgo de incendio, explosión y lesiones personales.
- ▶ **No desarme el ordenador de a bordo.** No hay ninguna pieza utilizable por el usuario en el interior. El

reensamblaje incorrecto o los daños pueden provocar un incendio o una explosión.

- ▶ **Lea y siga todas las indicaciones de seguridad e instrucciones de todos los manuales de uso del sistema eBike, así como las instrucciones de uso de su eBike.**

**NOTA:** Este equipo cumple con los límites de exposición a la radiación de la FCC establecidos para un ambiente no controlado. Este equipo debe ser instalado y operado con una distancia mínima de 20 cm entre el emisor y su cuerpo. Este transmisor no debe estar ubicado u operando en conjunto con ninguna otra antena o transmisor:

1. Este dispositivo no debe causar interferencias perjudiciales, y
2. este dispositivo debe admitir cualquier interferencia que se reciba, incluyendo las interferencias que puedan causar un funcionamiento no deseado.

**INDICACIÓN:** Los cambios o modificaciones realizados en este equipo no aprobados expresamente por Robert Bosch GmbH pueden anular la autorización de la FCC para operar este equipo.

**NOTA:** Este equipo ha sido probado y cumple con los límites para un dispositivo digital de Clase B, de conformidad con la Parte 15 de las Normas de la FCC. Estos límites están diseñados para proporcionar una protección razonable contra interferencias perjudiciales en una instalación residencial. Este equipo genera, utiliza y puede emitir energía de radiofrecuencia y, si no se instala y utiliza de acuerdo con las instrucciones, puede causar interferencias perjudiciales en las comunicaciones de radio. Sin embargo, no existe garantía de que no se produzcan interferencias en una instalación en particular. Si este equipo causa interferencias perjudiciales en la recepción de radio o televisión, lo cual puede determinarse encendiendo y apagando el equipo, se recomienda al usuario que intente corregir la interferencia mediante una o más de una de las siguientes medidas:

- Reorientar o reubicar la antena receptora.



- Aumente la separación entre el equipo y el receptor.
- Conecte el equipo a una toma de corriente en un circuito diferente al que está conectado el receptor.
- Diríjase al distribuidor o a un técnico de radio/TV experimentado para obtener ayuda.

#### **Información de exposición a la radiación de radio-**

**frecuencia:** La potencia de salida irradiada del dispositivo está muy por debajo de los límites de exposición de radiofrecuencia de la FCC. Sin embargo, el dispositivo debe utilizarse de tal manera que se minimice la posibilidad de contacto humano durante el funcionamiento normal.

**INDICACIÓN:** Este dispositivo cumple con la Parte 15 de las Normas de la FCC. La operación está sujeta a las siguientes dos condiciones:

1. Este dispositivo no debe causar interferencias dañinas, y
2. este dispositivo debe aceptar cualquier interferencia que se reciba, incluida la interferencia que pueda causar un funcionamiento no deseado.

#### **Nota de ISED (Canadá)**

Este dispositivo contiene un(varios) transmisor(es)/receptor(es) exento(s) de licencia que cumple(n) con RSS(s) exento(s) de licencia del Ministerio de Innovación, Ciencia y Desarrollo Económico de Canadá. La utilización está sujeta a las dos condiciones siguientes:

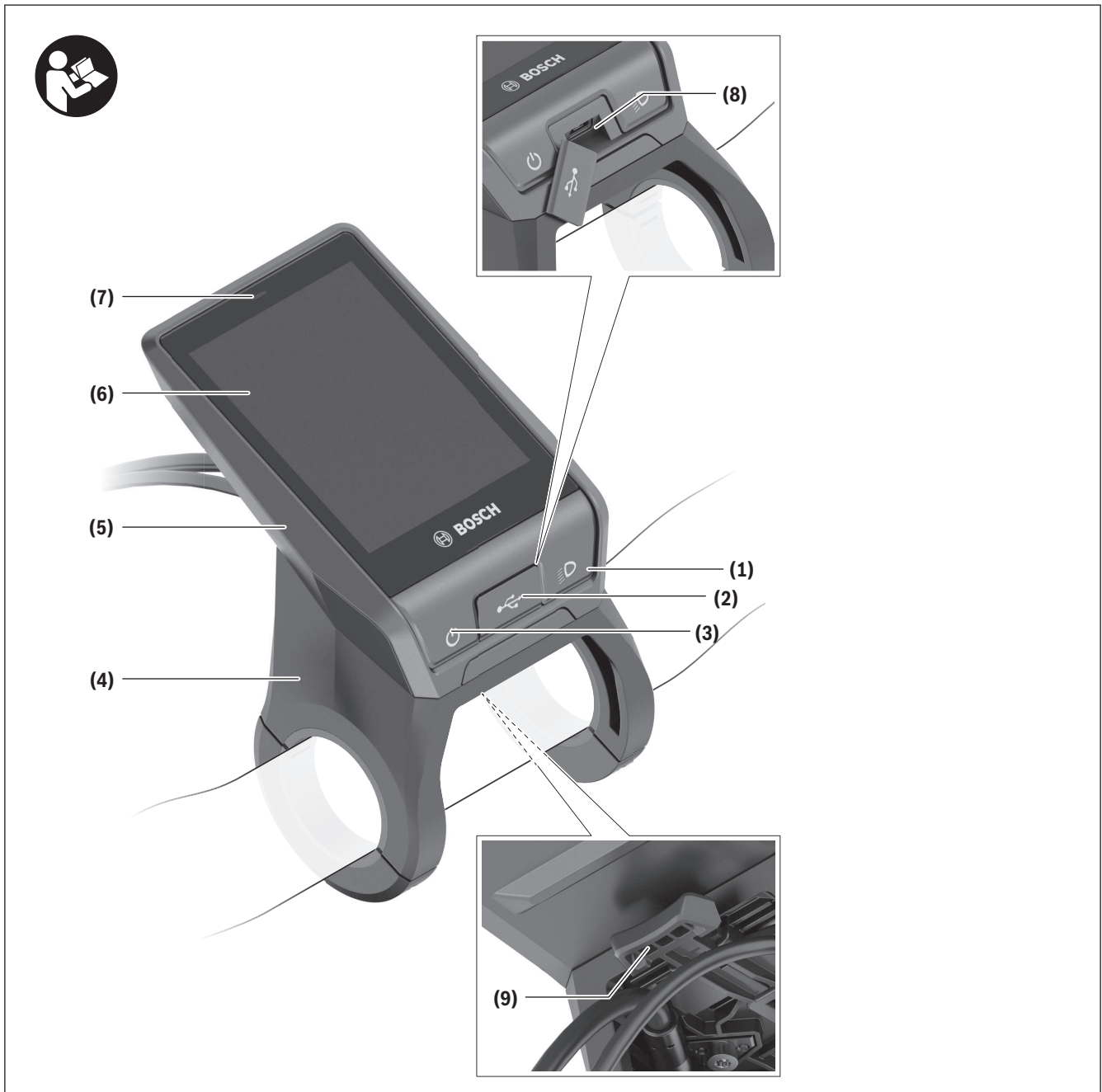
1. este dispositivo no debe causar interferencias perjudiciales, y
2. este dispositivo debe admitir cualquier interferencia, incluyendo las interferencias que puedan causar un funcionamiento no deseado del dispositivo.

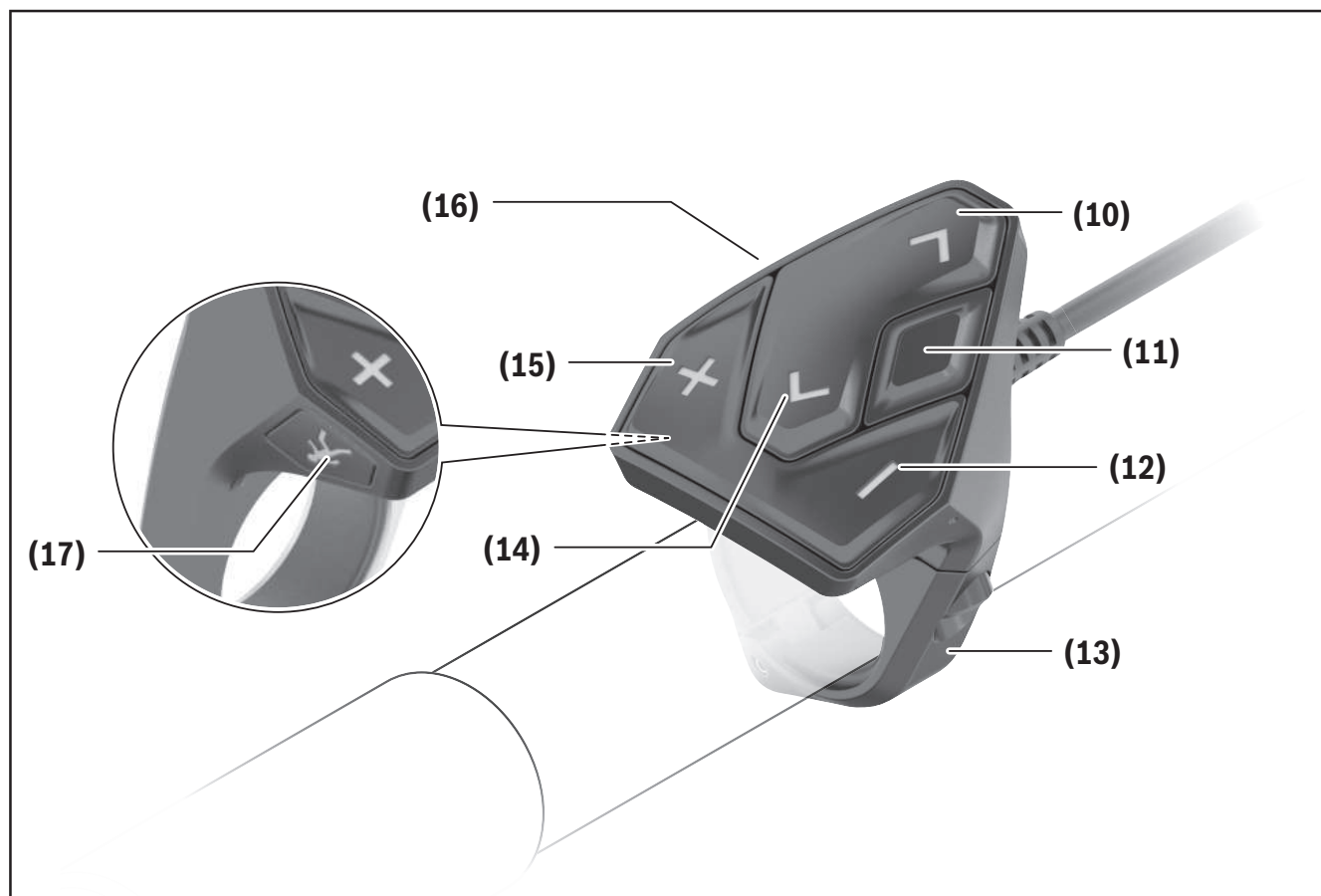
Este equipo cumple con los límites de exposición a la radiación del Canadá establecidos para un ambiente no controlado. Este equipo debe ser instalado y operado con una distancia mínima de 20 cm entre el emisor y su cuerpo. Este transmisor no debe estar ubicado u operando en conjunto con ninguna otra antena o transmisor.

#### **Indicación de protección de datos**

Si en caso de servicio se envía el ordenador de a bordo al servicio Bosch, es posible transferir a Bosch los datos guardados en el ordenador de a bordo.

## Descripción del producto y servicio





### Componentes principales

Todas las representaciones de las piezas de la bicicleta, excepto la unidad motriz, ordenador de a bordo incl. unidad de mando, sensor de velocidad y los soportes correspondientes son esquemáticas y pueden diferir de su eBike.

- (1) Tecla de iluminación de la bicicleta
- (2) Caperuza protectora del puerto USB
- (3) Tecla de conexión/desconexión del ordenador de a bordo
- (4) Soporte del ordenador de a bordo<sup>A)</sup>
- (5) Ordenador de a bordo
- (6) Pantalla (sensible al tacto)
- (7) Sensor de luminosidad
- (8) Puerto USB
- (9) Mecanismo de desenclavamiento
- (10) Tecla para hojear hacia delante
- (11) Tecla de selección
- (12) Tecla para reducir la asistencia
- (13) Soporte de la unidad de mando
- (14) Tecla para hojear hacia detrás
- (15) Tecla para aumentar la asistencia
- (16) Unidad de mando
- (17) Tecla de arranque asistido/asistencia para empujar caminando **WALK**

A) En el caso de la fijación en el manillar, las soluciones específicas para el cliente también son posibles sin las abrazaderas del manillar.

## Utilización reglamentaria

El ordenador de a bordo **Nyon (BUI350)** está previsto para el control de un sistema eBike de Bosch y para mostrar los datos del viaje.

Además de las funciones aquí representadas, puede ser que se introduzcan en cualquier momento modificaciones de software para la eliminación de errores y modificaciones de funciones.

Informaciones adicionales al respecto se encuentran en [www.Bosch-eBike.com](http://www.Bosch-eBike.com).

Las instrucciones para utilizar la aplicación (App) y el portal están contenidas en las Instrucciones de servicio en línea (online) bajo [www.Bosch-eBike.com](http://www.Bosch-eBike.com).

**Nyon (BUI350)** no es adecuado para la navegación sin bicicleta (para excursionistas o conductores de automóviles).

## Datos técnicos

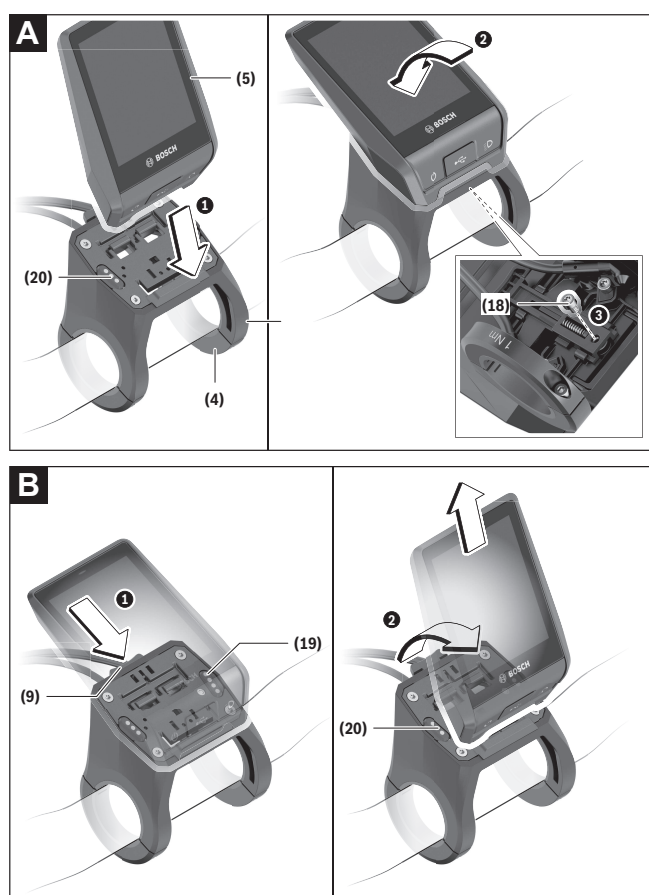
Ordenador de a bordo		Nyon
Código de producto		BUI350
Memoria interna total	GB	8
Corriente de carga (salida) en conexión USB, máx.	mA	1500
Tensión de carga en conexión USB, máx.	V	5
Cable de carga USB		1 270 016 360
Temperatura de servicio	°F	23 ... 104
Temperatura de almacenamiento	°F	50 ... 104
Temperatura de carga	°F	32 ... 104
Acumulador de iones de litio interno	V mAh	3,7 1000
Grado de protección		IP x5
Estándares WiFi compatibles		802.11b/g/n (2,4 GHz)
Peso, aprox.	lbs	0,44
WiFi		
– Frecuencia	MHz	2400–2480

Ordenador de a bordo		Nyon
– Potencia de emisión	mW	< 100
<i>Bluetooth®</i>		
– Frecuencia	MHz	2400–2480
– Potencia de emisión	mW	< 10

## Montaje

- ▶ **Desactive el ordenador de a bordo y retírelo, al montar el soporte o trabajar en el soporte.** De esta manera se evitan los fallos de funcionamiento/aplicaciones.
- ▶ **Desactive el ordenador de a bordo y retírelo, al montar o desmontar el tornillo de seguridad.** De esta manera se evitan los fallos de funcionamiento/aplicaciones.

### Montaje y desmontaje del ordenador de a bordo



- (4) Soporte del ordenador de a bordo<sup>A)</sup>
- (5) Ordenador de a bordo
- (9) Mecanismo de desenclavamiento
- (18) Tornillo de bloqueo del ordenador de a bordo

- (19) Contactos de unidad motriz
- (20) Contactos de unidad de mando

A) En el caso de la fijación en el manillar, las soluciones específicas para el cliente también son posibles sin las abrazaderas del manillar.

Para **colocar** el ordenador de a bordo (5), aplíquelo primero con la parte inferior en el soporte (4) y luego presiónelo hacia adelante, hasta que el ordenador de a bordo encastre perceptiblemente. Asegúrense de que el ordenador de a bordo quede firmemente encastrado.

Para **extraer** el ordenador de a bordo (5), presione sobre el mecanismo de desenclavamiento (9) y quite el ordenador de a bordo hacia arriba.

- ▶ **Retire el ordenador de a bordo cuando estacione la eBike.**

Es posible bloquear el mecanismo de desenclavamiento con un tornillo. Desmonte además el soporte (4) del manillar. Coloque el ordenador de a bordo en el soporte. Enrosque el tornillo de bloqueo (18) adjunto (rosca M3, 5 mm de longitud) desde abajo en la rosca del soporte prevista para tal fin. Vuelva a montar el soporte en el manillar.

**Indicación:** El tornillo de bloqueo no es una protección antirrobo.

## Operación

### Puesta en servicio se sistema eBike

#### Requisitos

El sistema eBike solamente puede activarse cuando se cumplen las siguientes condiciones:

- Se ha colocado un acumulador de la eBike con suficiente carga (véanse las instrucciones de uso de la batería).
- El ordenador de a bordo está correctamente colocado en el soporte.
- El acumulador del ordenador de a bordo debe estar suficientemente cargado.

#### Conexión/desconexión del sistema eBike

Para **conectar** el sistema eBike tiene las siguientes posibilidades:

- Con el ordenador de a bordo y el acumulador de la eBike colocados, pulse una vez brevemente la tecla de conexión/desconexión **(3)** del ordenador de a bordo.
- Con el ordenador de a bordo colocado, pulse la tecla de conexión/desconexión del acumulador de la eBike (existen soluciones específicas del fabricante de bicicletas en las cuales no hay acceso a la tecla de conexión/desconexión del acumulador; ver instrucciones de servicio del fabricante de la bicicleta).

El motor se activa al empezar a pedalear (excepto en la función de asistencia para empujar caminando o en el nivel de asistencia **OFF**). La potencia del motor depende del nivel de asistencia ajustado en el ordenador de a bordo.

En cuanto deje de pedalear en el funcionamiento normal o en cuanto alcance una velocidad de **20/28 mph**, se desconecta la asistencia del accionamiento de la eBike. El accionamiento se activa de nuevo automáticamente en cuanto pedalee y su velocidad esté por debajo de **20/28 mph**.

Usted tiene las siguientes opciones para **desconectar** el sistema eBike:

- Pulse la tecla de conexión/desconexión **(3)** del ordenador de a bordo durante al menos 3 segundos.
- Desconecte el acumulador de la eBike en su tecla de conexión/desconexión (puede haber soluciones de fabricantes de bicicletas que no tengan acceso a la tecla de conexión/desconexión de la batería; véase el manual de instrucciones del fabricante de la bicicleta).

**Indicación:** En ello, **Nyon (BUI350)** se pone en modo de espera.

- Retire el ordenador de a bordo del soporte.

Si no hay una demanda de potencia del accionamiento de la eBike durante aprox. 10 min (p. ej. porque la eBike está parada) y si no se pulsa ninguna tecla del ordenador de a bordo o de la unidad de mando de la eBike, el sistema eBike y así también el acumulador se desconectan automáticamente para ahorrar energía.

En ello, **Nyon (BUI350)** pasa al modo de espera.

#### Modo de espera

Usted puede poner su ordenador de a bordo en modo de espera, el cual permite un inicio más rápido del ordenador de a bordo y del sistema.

Usted puede llegar al modo de espera con las siguientes medidas:

- Para ello, pulse la tecla de conexión/desconexión **(3)** del ordenador de a bordo durante al menos 1 segundo, sin embargo no más de 3 segundos.
- Espere 10 minutos, hasta que el sistema se desconecte.
- Desconecte el acumulador en la tecla de conexión/desconexión del acumulador.

El modo de espera se finaliza, cuando se presiona la tecla de conexión/desconexión **(3)** del ordenador de a bordo durante 1 segundo.

El modo de espera se finaliza y el ordenador de a bordo se desconecta automáticamente, cuando el estado

de carga del acumulador del ordenador de a bordo es inferior al 75 %. A medianoche (0 en punto) a más tardar, el ordenador de a bordo se desconecta en cualquier caso.

Si **Nyon (BUI350)** no se deja conectar o no funciona correctamente, pulse el tecla de conexión/desconexión durante un tiempo prolongado (aprox. 15 s). Así se podría subsanar el comportamiento incorrecto.

### Suministro de corriente del ordenador de a bordo

Si el ordenador de a bordo se encuentra sobre el soporte **(4)**, si hay un acumulador de eBike con suficiente carga en la eBike y el sistema de la eBike está encendido, la batería del ordenador de a bordo recibe energía del acumulador de la eBike y se carga.

Si se extrae el ordenador de a bordo del soporte **(4)**, la alimentación energética se lleva a cabo a través de la batería del ordenador de a bordo. Si el acumulador del ordenador de a bordo está muy descargado, aparecerá un mensaje de advertencia en la pantalla.

Para cargar el acumulador del ordenador de a bordo, coloque el ordenador de a bordo de nuevo en el soporte **(4)**. Tenga en cuenta que si no está cargando el acumulador de la eBike, el sistema eBike se apaga automáticamente después de 10 minutos de inactividad. En ese caso también se finaliza la carga del acumulador de la red de a bordo.

También puede cargar el ordenador de a bordo a través del puerto USB **(8)**. Abra para ello la caperuza protectora **(2)**. Conecte el conector USB del ordenador de a bordo a través de un cable Micro USB con un cargador USB convencional (no incluido en el volumen de suministro) o al puerto USB de un ordenador (tensión de carga máx. **5 V**; corriente de carga máx. **1500 mA**).

Si no se carga de nuevo el acumulador del ordenador de a bordo, la fecha y la hora se mantienen por aprox. 6 meses.

**Indicación:** Para lograr una vida útil máxima del acumulador del ordenador de a bordo, éste último debería recargarse cada tres meses durante una hora.

### Puerto USB

El ordenador de a bordo se puede cargar a través del puerto USB.

Para ello, abra la caperuza protectora **(2)** del puerto USB **(8)** en el ordenador de a bordo. Conecte el puerto USB del dispositivo externo al conector USB **(8)** del ordenador de a bordo con un cable de carga USB micro A – micro B (disponible en su distribuidor de eBikes Bosch).

Después de su uso, el puerto USB debe cerrarse cuidadosamente de nuevo con la caperuza protectora **(2)**.

**Una conexión USB no es una conexión por enchufe impermeable. En recorridos con lluvia, no debe haber ningún dispositivo externo conectado y el puerto USB debe estar completamente cerrado con la tapa de protección (2).**

No es posible cargar aparatos externos a través del puerto USB.

### Indicador del estado de carga del acumulador

El indicador de estado del acumulador de la eBike g (ver "**<Pantallas Ride>**", Página Español – 18) se puede leer en la barra de estado. También se puede consultar el estado de carga del acumulador de la eBike en los LEDs que hay en el propio acumulador de la eBike.

Color de la indicación	Aclaración
Blanco	El acumulador de la eBike está cargado sobre 30 %.
Amarillo	El acumulador de la eBike está cargado entre 15 % y 30 %.
Rojo	El acumulador de la eBike está cargado entre 0 % y 15 %.

Color de la indicación	Aclaración
Rojo + !	Se ha consumido la capacidad de asistencia del accionamiento y la asistencia se desconecta. La capacidad restante se reserva para la iluminación de la bicicleta y el ordenador de a bordo.

Si el acumulador de la eBike se carga en la bicicleta, se indica un mensaje correspondiente.

Si se extrae el ordenador de a bordo del soporte **(4)**, queda memorizado el estado de carga del acumulador mostrado por última vez.

### Puesta en servicio del ordenador de a bordo

- ▶ **Retire la lámina protectora de la pantalla antes de la puesta en servicio inicial para garantizar la plena funcionalidad del ordenador de a bordo.** Si la lámina protectora permanece en la pantalla, puede afectar la funcionalidad/rendimiento del ordenador de a bordo.
- ▶ **No se puede garantizar la plena funcionalidad del ordenador de a bordo cuando se utilizan láminas de protección de pantalla.**

Nyon se suministra con una batería parcialmente cargada. Antes de su primer uso debe cargarse completamente el acumulador Nyon mediante la conexión USB o mediante el sistema eBike.

Al conectar el ordenador de a bordo, puede empezar a conducir ya después de un breve período de tiempo (aprox. 4 segundos). En el siguiente período, el ordenador de a bordo recarga el sistema operativo completo en segundo plano.

**Indicación:** Cuando se conecta el ordenador de a bordo por primera vez, éste necesita más tiempo para estar listo para conducir.

Si el ordenador de a bordo está conectado a una Wi-Fi, el usuario será informado si hay una nueva actuali-

zación disponible. Descargue la actualización e instale la última versión.

#### Elaboración de una identificación de usuario

Para poder utilizar todas las funciones del sistema de mando, debe registrarse adicionalmente online.

La identificación de usuario le permite, entre otras cosas, ver los datos de su recorrido, planificar las rutas offline y transferirlas al ordenador de a bordo.

Puede crear una identificación de usuario a través de su App de smartphone **Bosch eBike Connect** o directamente a través de [www.eBike-Connect.com](http://www.eBike-Connect.com). Introduzca los datos requeridos para el registro. La App de smartphone **Bosch eBike Connect** puede descargarse gratuitamente desde la App Store (para iPhones de Apple) o Google Play Store (para dispositivos Android).

#### Conexión del ordenador de a bordo con el portal

Una conexión del ordenador de a bordo con el portal la puede establecer a través de una conexión Wi-Fi.

Proceda como sigue:

- Presione sobre **<Conectar>** en la **<Pantalla de estado>**.
- Seleccione **<Wi-Fi>**.
- Seleccione una red.
- Introduzca su nombre de usuario y su contraseña.

Después de una conexión exitosa, todos los datos se sincronizan con el ordenador de a bordo.

#### Conexión del ordenador de a bordo con la aplicación App Bosch eBike Connect

Una conexión al teléfono inteligente se realiza de la siguiente manera:

- Inicie la aplicación App.
- Seleccione la pestaña **<Mi eBike>**.
- Seleccione **<Añadir nuevo dispositivo de eBike>**.
- Agregue **Nyon (BUI350)**.

Ahora la aplicación App mostrará una indicación correspondiente, que en el ordenador de a bordo se debe presionar la tecla de iluminación de la bicicleta **(1)** durante 5 segundos.



Presione la tecla **(1)** durante 5 segundos. El ordenador de a bordo activa automáticamente la conexión *Bluetooth® Low Energy* y cambia al modo de emparejamiento (Pairing).

Siga las instrucciones de la pantalla. Una vez finalizado el proceso de emparejamiento, se sincronizan los datos del usuario.

**Indicación:** La conexión *Bluetooth®* no tiene que ser activada manualmente.

### Ajuste del modo de asistencia

En la unidad de mando **(16)** puede ajustar la fuerza con la que le ayuda el accionamiento de la eBike al pedalear. Este nivel de asistencia se puede modificar en cualquier momento, también durante la marcha.

**Indicación:** En algunas ejecuciones es posible que el nivel de asistencia esté preajustado y no se pueda cambiar. También es posible que no exista una diversidad de modos de asistencia tan amplia como la aquí indicada.

A lo sumo están disponibles los siguientes modos de asistencia:

- **OFF:** La asistencia del motor está apagada, la eBike se puede mover como una bicicleta normal pedalando. La asistencia de empuje no se puede activar en este nivel de asistencia.
- **ECO:** asistencia efectiva con la máxima eficiencia, para una autonomía máxima
- **TOUR:** asistencia uniforme, para viajes con gran autonomía
- **SPORT/eMTB:**
  - SPORT:** asistencia potente para la conducción deportiva en rutas montañosas, así como para el tráfico urbano
  - eMTB:** asistencia óptima en todo terreno, arranque deportivo, dinámica mejorada, máximo rendimiento (**eMTB** disponible únicamente en combinación con las unidades motrices BDU250P CX, BDU365, BDU450 CX y BDU480 CX. También puede requerirse una actualización del sistema.)

– **TURBO:** asistencia máxima, incluso al pedalear ve-  
lozmente, para una conducción deportiva

Para **augmentar** el nivel de asistencia, pulse la tecla **+** **(15)** en la unidad de mando las veces necesarias, hasta que el indicador muestre el nivel de asistencia deseado. Para **reducir** pulse la tecla **– (12)**.

La potencia de motor solicitada aparece en el indicador **j**. La potencia máxima del motor depende del nivel de asistencia seleccionado.

### Conexión/desconexión de la Ayuda para empuje

La asistencia de empuje puede facilitarle el empuje de la eBike. La velocidad en esta función depende de la marcha acoplada y puede alcanzar como máximo **3,7 mph**. Cuanto más pequeña sea la marcha elegida, tanto menor es la velocidad lograda en la función de ayuda para empuje (a plena potencia).

► **La función de asistencia de empuje se debe usar exclusivamente al empujar la eBike.** Si las ruedas de la eBike no están en contacto con el suelo cuando se usa la asistencia de empuje, existe riesgo de lesiones.

Para **activar** la asistencia de empuje caminando, pulse brevemente la tecla **WALK** de su ordenador de a bordo. Tras la activación, pulse la tecla **+** antes de que pasen 3 segundos y manténgala pulsada. Se conecta el accionamiento de la eBike.

**Indicación:** La asistencia de empuje no se puede activar en el nivel de asistencia **OFF**.

La asistencia para empujar caminando se **desconecta** en cualquiera de los siguientes casos:

- Al soltar la tecla **+**,
- al bloquearse las ruedas de la eBike (p.ej. debido a una frenada o un choque con un obstáculo);
- al superar la velocidad los **3,7 mph**.

El funcionamiento de la asistencia está sujeto a las disposiciones específicas del país y, por consiguiente, puede diferir de la descripción mencionada anteriormente o estar desactivada.

## Conectar/desconectar la iluminación de la bicicleta

En el modelo en el que la luz de marcha se alimenta mediante el sistema eBike, las luces, delantera y trasera, se pueden conectar y desconectar simultáneamente mediante el ordenador de a bordo con la tecla de la iluminación de la bicicleta **(1)**.

Compruebe siempre el correcto funcionamiento de las luces de la bicicleta antes de cada viaje.

Con la luz conectada, está encendido el indicador de luz de marcha **f** en la barra de estado en el display.

El hecho de conectar o desconectar la iluminación de la bicicleta no tiene ningún efecto en la iluminación de fondo de la pantalla.

## Lock (bloqueo) (función premium)

La función Lock se puede adquirir en **<Comprar>** de la App eBike Connect. Después de activar la función de bloqueo (Lock), se desactiva la asistencia de la unidad motriz de la eBike al quitar el ordenador de a bordo. La activación es entonces sólo posible con la computadora a bordo perteneciente a la eBike.

En las instrucciones de servicio online [www.Bosch-eBike.com](http://www.Bosch-eBike.com) encontrará instrucciones detalladas al respecto

## El seguimiento de actividades

Para grabar actividades es necesario registrarse o iniciar sesión en el portal eBike Connect o en la App eBike Connect.

Para el registro de actividades es necesario aceptar el almacenamiento de datos de ubicación en el portal o en la App. Solo así se mostrarán sus actividades en el portal y en la App. La posición solamente se registra, cuando el ordenador de a bordo está conectado a la App eBike Connect.

Las actividades se muestran después de la sincronización ya durante la marcha en la aplicación y en el portal.

## eShift (opcional)

eShift es la integración de los sistemas de conexión/desconexión electrónicos en el sistema de la eBike. Los componentes eShift están conectados eléctricamente de fábrica con la unidad motriz. El manejo de los sistemas de conexión/desconexión electrónicos se describe en unas instrucciones de servicio separadas.

## Actualizaciones de software

Si **Nyon (BUI350)** está conectado a través de WiFi, el sistema comprueba automáticamente si hay disponible un software más reciente. Si se dispone de una actualización del software, se informará al usuario mediante una nota. Como alternativa, el usuario puede buscar manualmente actualizaciones bajo **<Config. del sistema>**.

## Indicaciones sobre la conducción con el sistema eBike

### Manejo cuidadoso de la eBike

Observe la temperatura de funcionamiento y almacenamiento de los componentes de la eBike. Proteja la unidad motriz, el ordenador de a bordo y la batería de temperaturas extremas (p. ej. debido a una irradiación solar intensa sin ventilación simultánea). Las temperaturas extremas pueden dañar los componentes (especialmente las baterías).

Mantenga la pantalla del Nyon limpia. La suciedad puede afectar a la luminosidad de la pantalla. En el modo de navegación se puede alterar el cambio de día/noche.

El cambio abrupto de las condiciones del entorno puede provocar que el cristal de la pantalla se empañe por dentro. Después de un breve período de tiempo se produce una compensación de la temperatura y la condensación desaparece de nuevo.

## Sistema de mando Nyon

El sistema de mando Nyon consta de tres componentes:

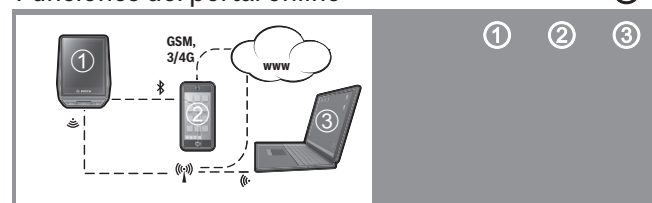
1. El ordenador de a bordo Nyon con unidad de mando
2. La aplicación para teléfono inteligente **Bosch eBike Connect**
3. El portal online [www.eBike-Connect.com](http://www.eBike-Connect.com)

Muchas de las configuraciones y funciones se pueden gestionar o utilizar en todos los componentes. Algunas de las configuraciones y funciones solo se pueden accionar o acceder a ellas mediante determinados componentes. La sincronización de los datos se realiza automáticamente cuando existe una conexión de *Bluetooth*<sup>®</sup>/Internet. En la siguiente tabla se ofrece un resumen de las posibles funciones.

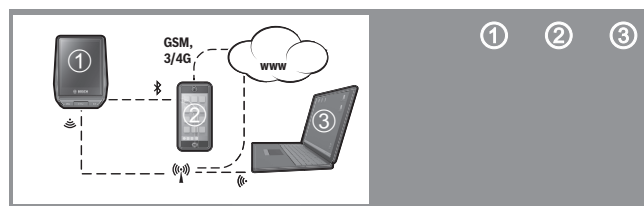
Funciones del ordenador de a bordo ①

Funciones de la aplicación de teléfono inteligente ②

Funciones del portal online ③



	①	②	③
Inicio de sesión/registro	✓	✓	✓
Modificación de los ajustes	✓	✓	✓
Registro de los datos del recorrido	✓		
Indicación en tiempo real de los datos del recorrido	✓		
Tratamiento/análisis de los datos del recorrido		✓	✓
Elaboración de indicaciones personalizadas	✓		
Indicación de la posición actual	✓ <sup>A)</sup>	✓ <sup>A)</sup>	✓
Navegación	✓		
Planificación de la ruta	✓	✓	✓



	①	②	③
Visualización de la autonomía restante (alcance en torno a la ubicación actual)	✓		
Efecto de entrenamiento en tiempo real	✓		
Resumen de los recorridos		✓	✓
Compra de funciones premium		✓	

A) Se requiere GPS

### Funciones premium

Las funciones estándar del sistema de mando **Nyon (BUI350)** se pueden ampliar mediante la compra de **funciones premium** en App Store para iPhones de Apple o en Google Play Store para dispositivos Android.

Además de la aplicación gratuita **Bosch eBike Connect** existen a disposición otras funciones premium de pago. En las instrucciones de servicio online [www.Bosch-eBike.com](http://www.Bosch-eBike.com) encontrará una lista detallada de las aplicaciones adicionales disponibles.

## Indicaciones y configuración del ordenador de a bordo

**Indicación:** Todas las representaciones y los textos de las páginas siguientes corresponden al estado de lanzamiento del software. Tras una actualización de software puede ser, que se modifiquen ligeramente las representaciones de la superficie y/o los textos de la superficie.

Nyon dispone de una pantalla táctil. Barriendo hacia la derecha o hacia la izquierda, puede hojear hacia adelante y hacia atrás entre las diferentes pantallas individuales. Pulsando, se pueden llamar funciones o submenús en la pantalla de estado.

Nyon dispone de pantallas estándar y pantallas predefinidas. El usuario también puede elaborar también sus propias pantallas. El usuario puede controlar la secuencia y el número de pantallas. Se puede utilizar un máximo de 25 fichas para las pantallas. La descripción de las pantallas de estas instrucciones de servicio se refiere a la configuración básica de la entrega del ordenador de a bordo.

Las pantallas estándar son:

- **<Pantallas Ride>**
- **<Pantalla de estado>**
- **<Pantalla cartográfica>**
- **<Pantalla datos viaje>**
- **<Descripción general del estado>**

A las pantallas predefinidas pertenecen:

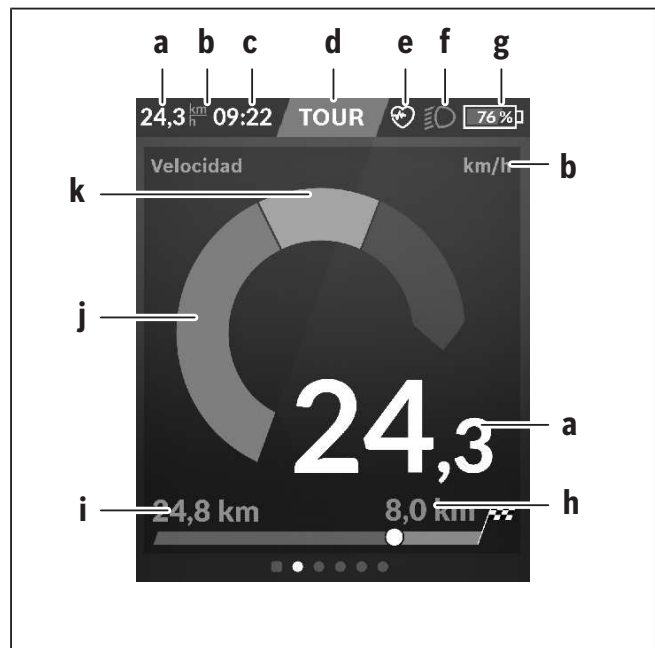
- **<Pantalla fitness>**
- **<Pantalla eMTB>**
- **<Pantalla básica>**

Con las teclas **< (14)** y **> (10)** se pueden visualizar las diferentes pantallas con la información de los valores del recorrido, también durante el mismo. De esta forma, se evitar soltar una mano del manillar durante la marcha.

Con las teclas **+ (15)** y **- (12)** puede aumentar o reducir el nivel de asistencia.

Los **<Ajustes>**, que son accesibles a través de la **<Pantalla de estado>**, no se pueden adaptar durante el recorrido.

### <Pantallas Ride>



- a** Velocidad
- b** Unidad de velocidad
- c** Hora<sup>A)</sup>  
La hora actual se muestra según la zona horaria seleccionada. El ajuste se realiza automáticamente a través del GPS.
- d** Nivel de asistencia  
En función del nivel de asistencia se coordina el color de la pantalla.
- e** Conexión del sensor de la frecuencia cardíaca  
También es un marcador de posición para otros eventos. La indicación tiene lugar cuando se produce el evento (p. ej. conexión del teléfono inteligente).
- f** Luz de marcha  
El símbolo se indica cuando está conectada la luz de marcha.
- g** Carga del acumulador de la eBike
- h** Información sobre la autonomía<sup>B)C)</sup>
- i** Distancia recorrida

**j** Potencia del motor

**k** Rendimiento propio

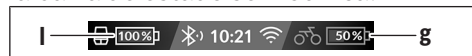
A) En eBikes con ABS se sustituye la hora por la inscripción **((ABS))** al inicio del sistema o si existe una avería en el ABS.

B) Con la navegación **activa**, se muestra una bandera de destino y la distancia restante hasta el destino al final de la escala. Si el acumulador de la eBike tiene suficiente capacidad, la parte derecha de la escala se muestra en color verde. Si la parte derecha de la escala se muestra en color naranja o rojo, es incierto o imposible alcanzar su destino con la asistencia del motor en el nivel de asistencia actualmente ajustado. Seleccionando un nivel de asistencia más bajo, la capacidad restante del acumulador puede alcanzar hasta el destino deseado.

C) Con la navegación **no activa**, se muestran a la izquierda los kilómetros recorridos y a la derecha la autonomía.

Los indicadores **a ... g** forman la barra de estado y se muestran en cada pantalla.

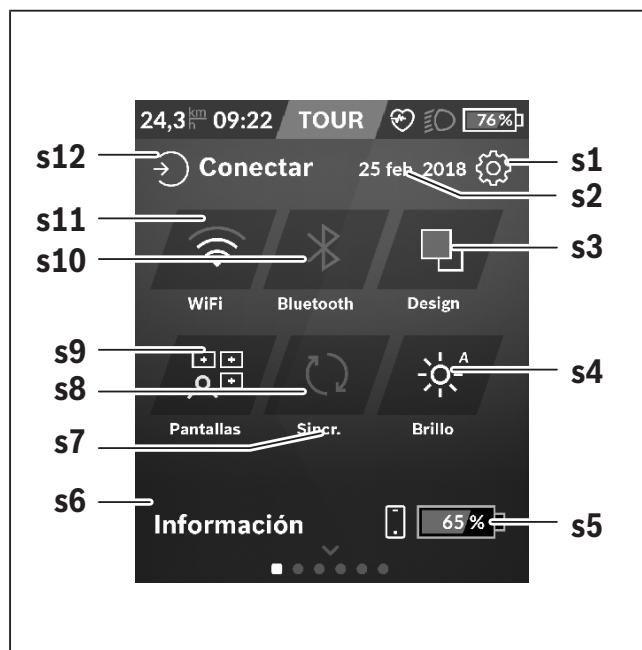
Cuando se quita el ordenador de a bordo del soporte, la barra de estado se modifica:



**l** Carga del acumulador del ordenador de a bordo  
En el caso de existir un acoplamiento *Bluetooth®* y/o WiFi, los iconos correspondientes se muestran en el centro.

**g** Carga del acumulador de la eBike  
Último estado de carga del acumulador de la eBike

## <Pantalla de estado>



**s1** Botón <Ajustes>

**s2** Fecha

**s3** <Design>

Aquí se puede conmutar de un fondo claro a uno oscuro.

**s4** Botón <Brillo>

Aquí se puede elegir entre los siguientes niveles de brillo: 25 % | 50 % | 75 % | 100 % | Auto.

**s5** Carga del acumulador del teléfono inteligente

**s6** <Información>

Aquí se muestran los últimos eventos (p. ej. descarga de mapas).

**s7** Fecha de la última sincronización

**s8** Botón de sincronización

**s9** Botón <Pantallas>

Con este botón se puede ajustar la secuencia y el contenido de la pantalla.

**s10** Botón <Bluetooth>

**Pulsación ligera:** Activar/Desactivar

**Mantener pulsado:** Acceso rápido al menú *Bluetooth®*

**s11 Botón <WiFi>****Pulsación ligera:** Activar/Desactivar**Mantener pulsado:** Acceso rápido al menú WiFi**s12 <Conectar>**

Aquí, el usuario puede conectarse con su identificación.

**<Ajustes>**

Se puede acceder al menú de configuración a través de la pantalla de estado. No se puede entrar a los

**<Ajustes>** ni adaptarlos durante el recorrido.Pulse ligeramente el botón Ajustes **<Ajustes>** y seleccione el ajuste/submenú deseado. Pulsando la flecha atrás en el encabezamiento, puede acceder al menú anterior. Al pulsar el símbolo **x** (en el encabezamiento, derecha) se cierra el menú de ajustes.

En el primer nivel de ajustes, encontrará las siguientes zonas principales:

– **<Ajustes mapa>**A través de **<Ajustes mapa>** puede seleccionar la representación de mapas (2D/3D), verificar los mapas descargados y las actualizaciones de mapas y descargar los mapas recomendados.– **<Mi eBike>** – Ajustes de su eBikePuede poner a "0" automática o manualmente los contadores, como kilometraje diario y valores medios, así como restaurar la autonomía. Puede modificar el valor preajustado por el fabricante del perímetro de la rueda en un  $\pm 5$  %. Si su eBike está equipada con **eShift**, también puede configurar aquí su sistema eShift. Para fijar la fecha del servicio, el distribuidor de bicicletas puede tomar como base el kilometraje y/o un intervalo de tiempo. En el lado del componente de la bicicleta se muestran el número de serie, la versión de hardware y de software y otros datos característicos relevantes del componente en cuestión.– **<Personalización>**

Con esta opción de menú, los contenidos de la pantalla y de la ficha se pueden adaptar a las necesidades personales.

– **<Conexiones>**Aquí, se pueden ajustar las conexiones *Bluetooth®* y WiFi– **<Mi perfil>**

Aquí, se pueden introducir o ajustar los datos del usuario activo.

– **<Config. del sistema>**

Puede visualizar la velocidad y distancia en kilómetros o millas, la hora en formato de 12 o 24 horas, seleccionar la fecha y huso horario y ajustar su idioma. Puede reponer Nyon a los ajustes de fábrica, iniciar una actualización de software (si está disponible) y elegir entre un diseño negro o blanco.

– **<Información>**Notas sobre FAQ (preguntas frecuentes), certificaciones, informaciones de contacto, informaciones sobre licencias. Una descripción detallada de los diferentes parámetros se encuentra en las instrucciones de servicio online bajo [www.Bosch-eBike.com](http://www.Bosch-eBike.com).

## <Pantalla cartográfica>

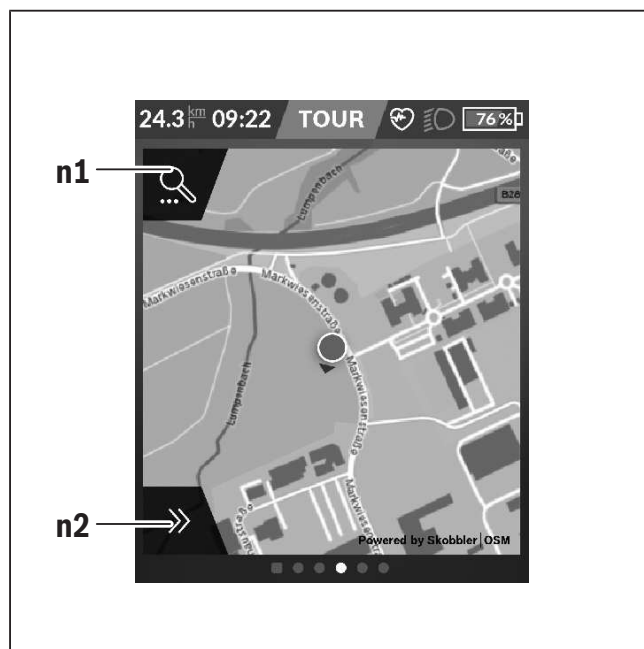
La navegación se lleva a cabo con material cartográfico basado en el Open Street Map (OSM).

Al conectar el Nyon, se inicia la búsqueda de satélites, para poder recibir señales GPS. Tan pronto como se encuentran suficientes satélites, el punto de localización cambia su color de gris a azul. La búsqueda de satélites puede durar más tiempo en caso de condiciones meteorológicas o ubicaciones desfavorables. Si no se ha detectado ningún satélite pasado un rato, reinicie el Nyon.

La búsqueda inicial de los satélites puede tardar unos minutos.

Para lograr la mejor precisión relativa a la posición, la búsqueda inicial de los satélites debe realizarse al aire libre. Espere idealmente unos minutos detenido, incluso si la posición ya ha sido encontrada.

Una vez que Nyon haya determinado su ubicación, se mostrará en el mapa. Para **ampliar** la sección del mapa, toque la pantalla táctil con **dos** dedos y sepárelos. Para **reducir** la sección del mapa, junte los dos dedos. Para **mover** el mapa, simplemente mueva el mapa con los dos dedos colocados. Para **seleccionar un destino**, deje un dedo por más tiempo en el mapa.



**n1** Búsqueda de navegación

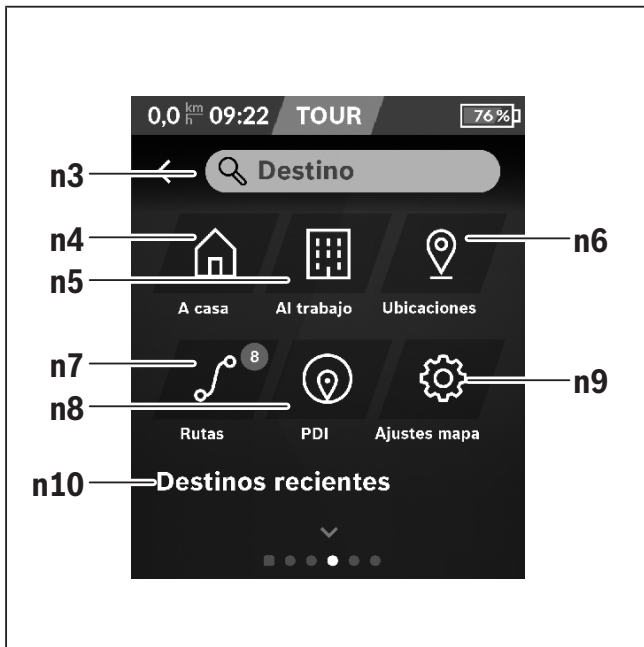
**n2** Funciones de navegación

En las funciones de navegación **n2** puede seleccionar sus destinos de tal manera, que los pueda alcanzar con el nivel de carga actual.

Durante una navegación activa, el usuario recibe información sobre si llegará a su destino en el modo de asistencia actual y con el estado de carga actual del acumulador de la eBike.

El círculo alrededor de su propia ubicación muestra cuán lejos llegará con la carga actual del acumulador, teniendo en cuenta el nivel de asistencia ajustado y el terreno a cubrir. En caso de la modificación del nivel de asistencia, el círculo se ajusta correspondientemente.

Si selecciona la búsqueda de navegación **n1**, obtiene el siguiente menú:



- n3** Campo de entrada **<Destino>**  
Introduzca aquí su dirección de destino o un punto de interés PDI (p. ej., un restaurante). Dependiente de la entrada, se le ofrecen todas las direcciones posibles en un radio de 100 km.
- n4** Botón **<A casa>**  
Seleccionando este botón será dirigido a su domicilio.<sup>A)</sup>
- n5** Botón **<Al trabajo>**  
Seleccionando este botón será dirigido a su lugar de trabajo.<sup>A)</sup>
- n6** Botón **<Ubicaciones>**  
Seleccionado este botón, puede encontrar sus lugares memorizados que han sido sincronizados por la aplicación o el portal.
- n7** Botón **<Rutas>**  
Se muestran las rutas memorizadas y luego sincronizadas en el portal.
- n8** Botón **<PDI>**  
Seleccionando este botón, puede encontrar destinos de interés general, como p. ej., restaurantes o centros comerciales.

**n9** Botón **<Ajustes mapa>**

Seleccionando este botón, puede adaptar la representación de los mapas o administrar sus mapas.

**n10** **<Destinos recientes>**

Aquí, se detallan las últimas rutas y lugares.

- A) Los datos de la aplicación y del portal se traspasan y se muestran.

Una vez que haya introducido el destino, se muestra primero la ruta más rápida (**<Rápido>**). Adicionalmente, puede elegir la ruta más pintoresca (**<Con vistas>**) o la ruta MTB (**<MTB>**). Alternativamente, puede ser guiado a casa (si ha introducido su dirección en el portal), seleccionar uno de los últimos destinos o acceder a lugares y rutas memorizados.

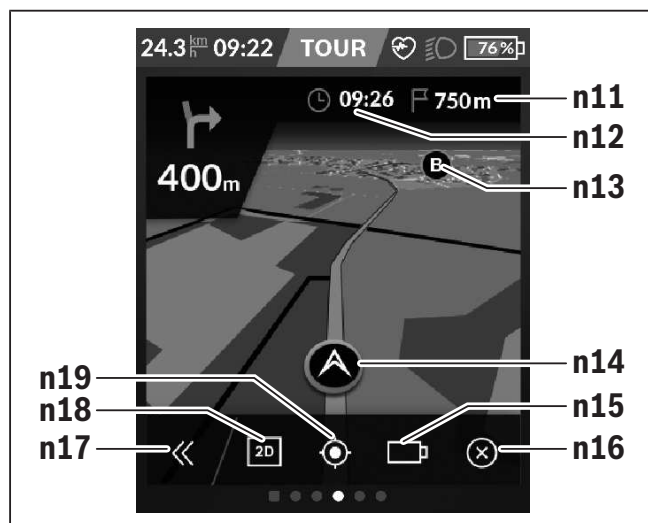
La autonomía restante del acumulador se calcula y muestra en función de las circunstancias topográficas. El cálculo de la autonomía topográfica se extiende a un máximo de 100 km.

Si ha importado o planificado rutas GPX a través del portal online, éstas se transferirán mediante *Bluetooth*<sup>®</sup> o una conexión de WiFi a su Nyon. En caso necesario, puede iniciar estas rutas. Si se encuentra próximo a una ruta, puede dejarse guiar hasta el punto de inicio o iniciar directamente la ruta con el navegador. Si se dan temperaturas por debajo de 32 °F, es previsible que se registren grandes diferencias en la medición de la altura.

**Navegación activa**

La siguiente ilustración muestra un ejemplo de navegación activa con explicaciones de los símbolos representados.





- n11** Distancia al destino
- n12** Hora de llegada
- n13** Destino
- n14** Posición actual
- n15** Indicador de la autonomía de la batería
- n16** Finalizar la navegación activa
- n17** Abrir y cerrar el panel (volver a la búsqueda)
- n18** Cambiar entre la vista 2D y 3D
- n19** Centrar la vista (volver a la posición actual)

**<Pantalla datos viaje>**

- i** **<Distancia del recorrido>**  
Visualización de la distancia recorrida
- m** **<Tiempo marcha>**  
Visualización de la duración del viaje
- n** **<Vel. media>**  
Visualización de la velocidad media
- o** **<Altitud>**  
Visualización de la altura sobre el nivel del mar

**<Descripción general del estado>**

- p** **<Uso modo circulación>**  
Visualización del uso de los diferentes modos de circulación
- q** **<Vel. máxima>**  
Visualización de la velocidad máxima
- r** **<Ascenso>**  
Visualización del ascenso
- s** **<Potencia media>**  
Visualización de la relación de la potencia propia en comparación con la potencia del motor

## Elaboración de pantallas propias

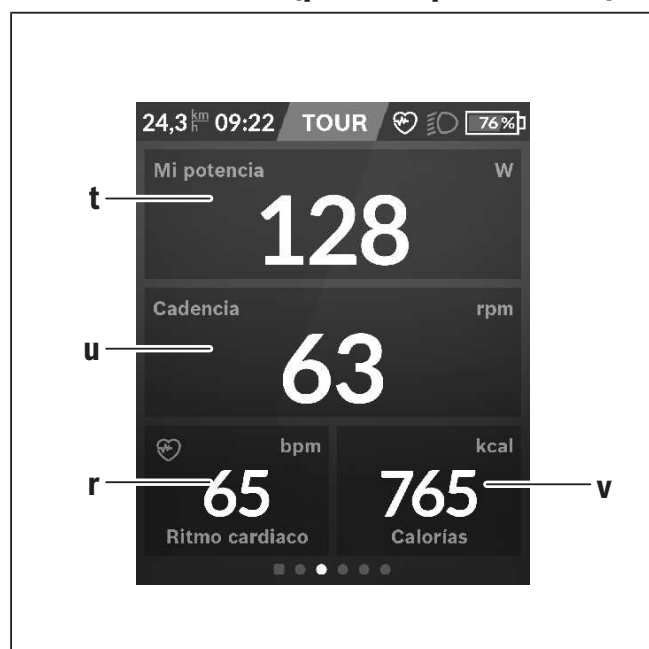
Para incluir pantallas predefinidas o crear nuevas pantallas, vaya a la pantalla de estado y seleccione el botón adaptación **s9**. En el pie de página, se le ofrecen 4 iconos para realizar una adaptación.

Opcionalmente, la función también puede iniciarse a través de **<Ajustes>** → **<Pantallas>**.

Las siguientes posibilidades están a disposición:

- Desplazar pantallas
- Crear nuevas pantallas
- Borrar pantallas
- Añadir pantallas predefinidas

## <Pantalla fitness> (pantalla predefinida)



- t** **<Mi potencia>**  
Visualización de la propia potencia
- u** **<Cadencia>**  
Visualización de la cadencia
- r** **<Ritmo cardíaco>**  
Visualización del ritmo cardíaco
- v** **<Calorías>**  
Visualización de las kilocalorías consumidas

## <Pantalla eMTB> (pantalla predefinida)



- r** **<Pendiente>**  
Visualización del ascenso
- o** **<Altitud>**  
Visualización de la altura sobre el nivel del mar
- w** **<Perfil altura>**  
Visualización del gráfico de altitud
- x** **<Pendiente máxima>**  
Visualización de la pendiente máxima
- y** **<Ascenso>**  
Visualización del ascenso

## <Pantalla básica> (pantalla predefinida)



- i** <Distancia del recorrido>  
Visualización de la distancia recorrida
- m** <Tiempo marcha>  
Visualización de la duración del viaje
- a** <Vel. media>  
Visualización de la velocidad media

### <Menú rápido>

A través del menú rápido se muestran configuraciones seleccionadas, que también se pueden adaptar durante el recorrido.

El acceso al menú rápido es posible a través de la tecla de selección **(11)**. Con las teclas **< (14)** y **> (10)** puede visualizar los submenús. Los puntos del submenú se seleccionan con las teclas **+ (15)** y **- (12)**.

De la <Pantalla de estado> no puede llegar al <Menú rápido>.

A través del <Menú rápido> puede llegar al siguiente submenú:

- <Datos de viaje>  
Este submenú le permite poner a cero todos los datos de la distancia recorrida hasta el momento.

### – <Seleccionar destino>

Este submenú le permite memorizar su posición actual o navegar a casa.

### – <Seleccionar destino>

Este submenú le permite ampliar o reducir la sección del mapa.

### – <Brillo>

Este submenú le permite seleccionar diferentes niveles de brillo: 25 % | 50 % | 75 % | 100 % | Auto.

### – <Design>

Este submenú le permite seleccionar un fondo claro y oscuro.

### – <eShift> (opcional)

Este submenú le permite ajustar la cadencia.

### – <Modo de circulación personal> (función premium, adquirible a través de App Store o Google Play Store)

Este submenú le permite seleccionar modos de circulación individuales (Custom Riding Modes).

### – <Menú rápido>

A través de este submenú puede abandonar de nuevo el <Menú rápido>.

## Resolución de problemas

Los componentes del sistema de la eBike se comprueban constantemente de forma automática. Si se determina un error, se muestra el correspondiente código de error en el ordenador de a bordo.

Dependiente del tipo de fallo, el accionamiento se puede desconectar automáticamente. La continua-

ción del viaje sin asistencia por el accionamiento es posible en cualquier momento. Antes de emprender otros recorridos, la eBike debe ser revisada.

► **Encargue todas las reparaciones únicamente a un distribuidor de bicicletas autorizado.**

Código	Causa	Remedio
410	Se han bloqueado una o más teclas del ordenador de a bordo.	Compruebe si hay teclas atascadas, p. ej. por penetración de suciedad. Si procede, limpie las teclas.
414	Problema de conexión de la unidad de mando	Encargue la revisión de las conexiones y las uniones
418	Se han bloqueado una o varias teclas del ordenador de a bordo.	Compruebe si hay teclas atascadas, p. ej. por penetración de suciedad. Si procede, limpie las teclas.
419	Fallo de configuración	Reinicie el sistema. Si el problema persiste, contacte con su distribuidor de eBike Bosch.
422	Problema de conexión en la unidad motriz	Encargue la revisión de las conexiones y las uniones
423	Problema de conexión de la batería de la eBike	Encargue la revisión de las conexiones y las uniones
424	Error de comunicación entre los componentes	Encargue la revisión de las conexiones y las uniones
426	Fallo interno de superación de tiempo	Reinicie el sistema. Si el problema persiste, contacte con su distribuidor de eBike Bosch. En este estado de error, no es posible visualizar o ajustar el perímetro del neumático en el menú de configuración básica.
430	La batería interna del ordenador de a bordo está descargada (no con BUI350)	Cargar el ordenador de a bordo (en el soporte o mediante el puerto USB)
431	Error de versión del software	Reinicie el sistema. Si el problema persiste, contacte con su distribuidor de eBike Bosch.
440	Fallo interno de la unidad motriz	Reinicie el sistema. Si el problema persiste, contacte con su distribuidor de eBike Bosch.
450	Error interno de software	Reinicie el sistema. Si el problema persiste, contacte con su distribuidor de eBike Bosch.
460	Error en la conexión USB	Retire el cable de la conexión USB del ordenador de a bordo. Si el problema persiste, contacte con su distribuidor de eBike Bosch.

Código	Causa	Remedio
490	Error interno del ordenador de a bordo	Encargue la revisión del ordenador de a bordo
500	Fallo interno de la unidad motriz	Reinicie el sistema. Si el problema persiste, contacte con su distribuidor de eBike Bosch.
502	Fallo en la iluminación de la bicicleta	Compruebe la luz y el cableado correspondiente. Reinicie el sistema. Si el problema persiste, contacte con su distribuidor de eBike Bosch.
503	Fallo del sensor de velocidad	Reinicie el sistema. Si el problema persiste, contacte con su distribuidor de eBike Bosch.
504	Se ha detectado una manipulación de la señal de velocidad.	Compruebe la posición del imán de memoria y ajústela si es necesario. Comprobar si existe manipulación (tuneo). La asistencia del accionamiento disminuye.
510	Avería interna del sensor	Reinicie el sistema. Si el problema persiste, contacte con su distribuidor de eBike Bosch.
511	Fallo interno de la unidad motriz	Reinicie el sistema. Si el problema persiste, contacte con su distribuidor de eBike Bosch.
530	Fallo del acumulador	Desconecte la eBike, extraiga el acumulador del mismo y vuelva a colocarlo. Reinicie el sistema. Si el problema persiste, contacte con su distribuidor de eBike Bosch.
531	Fallo de configuración	Reinicie el sistema. Si el problema persiste, contacte con su distribuidor de eBike Bosch.
540	Fallo de temperatura	La eBike se encuentra fuera del rango de temperatura permitido. Desconecte el sistema eBike y deje que la unidad motriz se enfríe o se caliente para que se sitúe en el rango de temperatura permitido. Reinicie el sistema. Si el problema persiste, contacte con su distribuidor de eBike Bosch.
550	Se ha detectado un consumidor no autorizado.	Elimine el consumidor. Reinicie el sistema. Si el problema persiste, contacte con su distribuidor de eBike Bosch.
580	Error de versión del software	Reinicie el sistema. Si el problema persiste, contacte con su distribuidor de eBike Bosch.
591	Error de autenticación	Desconecte el sistema eBike. Extraiga el acumulador y vuelva a instalarlo. Reinicie el sistema. Si el problema persiste, contacte con su distribuidor de eBike Bosch.
592	Componentes incompatibles	Utilizar una pantalla compatible. Si el problema persiste, contacte con su distribuidor de eBike Bosch.
593	Fallo de configuración	Reinicie el sistema. Si el problema persiste, contacte con su distribuidor de eBike Bosch.

Código	Causa	Remedio
595, 596	Error de comunicación	Compruebe el cableado hasta la caja de cambios y reinicie el sistema. Si el problema persiste, contacte con su distribuidor de eBike Bosch.
602	Fallo interno del acumulador	Reinicie el sistema. Si el problema persiste, contacte con su distribuidor de eBike Bosch.
603	Fallo interno del acumulador	Reinicie el sistema. Si el problema persiste, contacte con su distribuidor de eBike Bosch.
605	Fallo de temperatura del acumulador	El acumulador se encuentra fuera del rango de temperatura permitido. Desconecte el sistema eBike y deje que el acumulador se enfríe o se caliente para que se sitúe en el rango de temperatura permitido. Reinicie el sistema. Si el problema persiste, contacte con su distribuidor de eBike Bosch.
606	Fallo externo del acumulador	Compruebe el cableado. Reinicie el sistema. Si el problema persiste, contacte con su distribuidor de eBike Bosch.
610	Fallo de tensión del acumulador	Reinicie el sistema. Si el problema persiste, contacte con su distribuidor de eBike Bosch.
620	Fallo del dispositivo de carga	Sustituya el dispositivo de carga. Contacte con su distribuidor de eBike Bosch.
640	Fallo interno del acumulador	Reinicie el sistema. Si el problema persiste, contacte con su distribuidor de eBike Bosch.
655	Fallo múltiple del acumulador	Desconecte el sistema eBike. Extraiga el acumulador y vuelva a instalarlo. Reinicie el sistema. Si el problema persiste, contacte con su distribuidor de eBike Bosch.
656	Error de versión del software	Contacte con su distribuidor de eBike Bosch para que le actualicen el software.
7xx	Error en componentes de terceros	Observe las indicaciones del manual de instrucciones de uso del fabricante del componente correspondiente.
Ninguna indicación	Error interno del ordenador de a bordo	Reinicie el sistema eBike apagándolo y volviéndolo a encender.

## Mantenimiento y limpieza

- ▶ **Desactive el ordenador de a bordo, al realizar trabajos de limpieza, mantenimiento o servicio en el soporte o en el ordenador de a bordo.** Solo así se pueden evitar los fallos de funcionamiento/aplicación.

Todos los componentes no deben limpiarse con agua a presión.

Mantenga limpia la pantalla de su ordenador de a bordo. La suciedad puede afectar a la luminosidad de la pantalla.

Para limpiar el ordenador de a bordo, utilice un paño suave, humedecido únicamente con agua. No utilice productos de limpieza.

Deje revisar su sistema eBike al menos una vez al año (entre otros el sistema mecánico, la actualización del software del sistema).

Adicionalmente, el distribuidor de bicicletas puede tomar como base un kilometraje y/o un intervalo de tiempo para fijar la fecha del servicio. En ese caso, el ordenador de a bordo le mostrará el vencimiento de la fecha de mantenimiento al encender el ordenador.

Para el servicio o las reparaciones de la eBike, contactese con un distribuidor de bicicletas autorizado.

- ▶ **Encargue todas las reparaciones únicamente a un distribuidor de bicicletas autorizado.**



## Programa de reciclaje de baterías



La unidad de accionamiento, el ordenador de a bordo incl. la unidad de mando, el acumulador, el sensor de velocidad, los accesorios y los embalajes deben reciclarse de forma respetuosa con el medio ambiente.

¡No arroje eBikes y sus componentes a la basura!



Puede reciclar su paquete de baterías de Bosch llamando al 1.800.822.8837.