

Cette notice contient d'importantes informations sur la sécurité, les performances et l'entretien. Lisez-les et comprenez-les ainsi que les informations fournies par le fabricant de votre vélo avant d'utiliser le produit, et conservez-les pour référence ultérieure.

Owner's Manual – The Bosch Drive System Intuvia

BUI255

Robert Bosch GmbH
72757 Reutlingen
Germany

www.bosch-ebike.com

1 270 U20 XBI (2020.04) T / 59



Este manual contiene información importante de seguridad, rendimiento y mantenimiento. Léalo y asegúrese de entenderlo junto con la información que le ha facilitado el fabricante de su bicicleta antes de usar el producto; guárdelo a modo de referencia.

en Original operating instructions
fr Notice d'utilisation d'origine
es Instrucciones de servicio originales

This manual contains important safety, performance and service information. Read and understand it along with the information provided to you by your bicycle manufacturer before using the product, and keep it for reference.

Table of Contents

Introduction.....	2
About Warnings.....	2
General Warnings	2
Using your Manual	2
Operating your on-board computer	4
Safety instructions.....	4
Product Description and Specifications	6
Assembly	7
Operation.....	7
Displays and settings of the on-board computer	11
Transport	13
Maintenance/cleaning	13
Troubleshooting	15
Battery Recycling Program.....	18

Introduction

About Warnings

This manual contains many **DANGER**, **WARNING**, and **CAUTION** indicators concerning the consequences of failure to use, assemble, maintain, store, inspect and dispose of a Bosch-equipped eBike in a safe manner.

- The combination of the safety alert symbol and the word **DANGER** indicates a hazardous situation that, if not avoided, will result in death or serious injury.
- The combination of the safety alert symbol and the word **WARNING** indicates a hazardous situation that, if not avoided, could result in death or serious injury.
- The combination of the safety alert symbol and the word **CAUTION** indicates a hazardous situation that, if not avoided, could result in minor or moderate injury.

General Warnings



Read all safety warnings and all instructions. Failure to follow the warnings and instructions may result in death or serious injury.

Save all safety warnings and instructions for future reference.

The term **battery pack** used in these operating instructions refers to all original Bosch eBike battery packs.

WARNING

- ▶ **This manual contains important safety, performance and service information.** Read it before you take the first ride on your new bicycle, and keep it for reference. The manual can also be found online at www.bosch-ebike.com.
- ▶ **This manual is intended to be read together with the separate user manual provided with your bicycle.** Be sure to read all provided documents including labels on the product before your first ride.

- ▶ **Read ALL accompanying manuals before riding the bike for the first time.** Your Bosch Drive System comes with additional manuals and documents provided by the manufacturer of the bicycle and other components. Failure to read and understand safety information can result in death or serious injury.
- ▶ **Take responsibility for your own SAFETY.** If you have any questions or do not understand something, consult with your dealer or the bicycle or component manufacturer.
- ▶ **Some eBike accessories may present a choking hazard to small children.** Keep these accessories away from children.

CAUTION

- ▶ **The Bosch Drive System adds weight to your bicycle which you may not be used to lift.** Avoid injury, use proper lifting techniques.

Using your Manual

In addition to the functions outlined here, changes to software relating to troubleshooting and functional modifications may be introduced at any time.

Graphics

The bicycle shown in this manual may differ slightly from your bicycle, but will be similar enough to help you understand our instructions.

RIGHT-HAND and LEFT-HAND sides are determined by facing in the direction the bicycle will travel when going forward. When you see a broken line (-----), the item referred to is hidden from view.

Operating your on-board computer

Safety instructions



Read all the safety information and instructions. Failure to observe the safety information and follow instructions may result in electric shock, fire and/or serious injury.

Save all safety warnings and instructions for future reference.

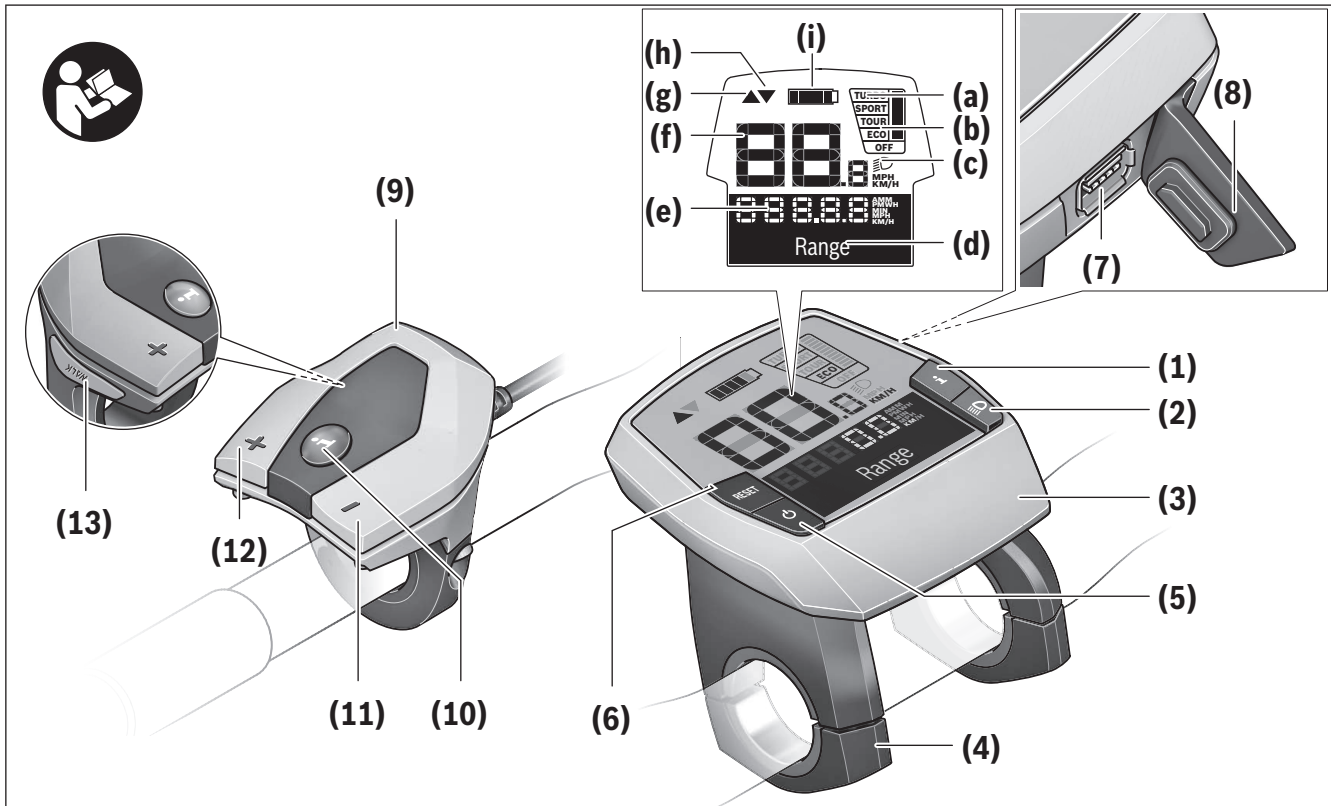
The term **battery pack** used in these operating instructions refers to all original Bosch eBike battery packs.

- ▶ **Only charge the on-board computer with USB power source (5 V, 500 mA max) and USB cable rated at least 500 mA.** Using USB power source or USB cable not appropriately rated for the application may result in fire, explosion or personal injury.
- ▶ **Charge the on-board computer in temperatures above +32 degrees F (0 degrees C) and below +104 degrees F (40 degrees C). Store on-board computer in locations where temperatures will not exceed 104 degrees F (40 degrees C).** This is important to prevent serious damage to the battery in the on-board computer.
- ▶ **Do not expose on-board computer to fire or excessive temperature.** Exposure to fire or temperature above 212 °F (100 °C) may cause explosion.
- ▶ **Do not recharge the on-board computer (via USB port) in damp or wet environment.** Water entering on-board computer may result in electric shock or fire.
- ▶ **Never submerge on-board computer in fluid of any kind or allow fluid to enter them.** Corrosive or conductive fluid (such as seawater or industrial chemical or bleach containing products, etc.) can cause short circuit which may result in fire, personal injury and property damage.
- ▶ **Battery leakage may occur under extreme usage or temperature conditions. Avoid contact with skin and eyes.** The battery liquid is caustic and could cause chemical burns to tissues. If liquid comes in contact with skin, wash quickly with soap and water. If the liquid contacts your eyes, immediately flush eyes with water for a minimum of 15 minutes and seek medical attention.
- ▶ **Place on-board computer on flat nonflammable surfaces and away from flammable materials when recharging on-board computer using external USB power source.** Carpeting and other heat insulating surfaces block proper air circulation which may cause overheating of the on-board computer. If smoke or melting of the on-board computer is observed, unplug the external USB power source immediately and do not use the on-board computer. Contact customer service immediately.
- ▶ **Before each use, check the on-board computer, cable and plug.** If damage is detected, do not use the on-board computer. Damaged on-board computer, charging cables and plugs increase the risk of a fire, explosion and personal injury.
- ▶ **Do not use the on-board computer as a handle.** Lifting the eBike up by the on-board computer can cause irreparable damage to the on-board computer.
- ▶ **Do not disassemble on-board computer.** No user serviceable part inside. Incorrect reassembly or damage may result in fire or explosion.
- ▶ **Do not allow yourself to be distracted by the display of the on-board computer.** If you do not concentrate exclusively on the traffic around you, you risk being involved in an accident. If you want to change any settings on the on-board computer other than the assistance level, always stop before entering the relevant data.

- ▶ **Read and observe the safety warnings and instructions in all operating instructions of the eBike system and your eBike.**

Product Description and Specifications

Product Features



- (1) Display function button **i**
 - (2) Bike light button
 - (3) On-board computer
 - (4) Holder for on-board computer
 - (5) On/off button for on-board computer
 - (6) **RESET** button
 - (7) USB port
 - (8) Protective cap for USB port
 - (9) Operating unit
 - (10) Display function button **i** on the operating unit
 - (11) Decrease assistance level/scroll down button **-**
 - (12) Increase assistance level/scroll up button **+**
 - (13) Push assistance button **WALK**
 - (14) Locking mechanism for on-board computer
 - (15) Locking screw for on-board computer
- USB charging cable (Micro A – Micro B)^{A)}
- A) Not depicted, available as an accessory
- Display elements of on-board computer**
- (a) Drive unit assistance indicator
 - (b) Assistance level indicator
 - (c) Illumination indicator
 - (d) Text indicator
 - (e) Value indicator
 - (f) Speedometer
 - (g) Gear change recommendation: Higher gear
 - (h) Gear change recommendation: Lower gear
 - (i) Battery charge indicator

Technical Data

On-board computer		Intuvia
Product code		BUI255
Max. USB port charging current	mA	500
USB port charging voltage	V	5
USB charging cable ^{A)}		1 270 016 360
Operating temperature	°F	+23 to +104
Storage temperature	°F	+50 to +104

On-board computer		Intuvia
Charging temperature	°F	+32 to +104
Internal lithium-ion battery	V mAh	3.7 230
Protection rating ^{B)}		IP54
Weight, approx.	lb	0.30

A) Not included with the product as standard

B) When the USB cover is closed

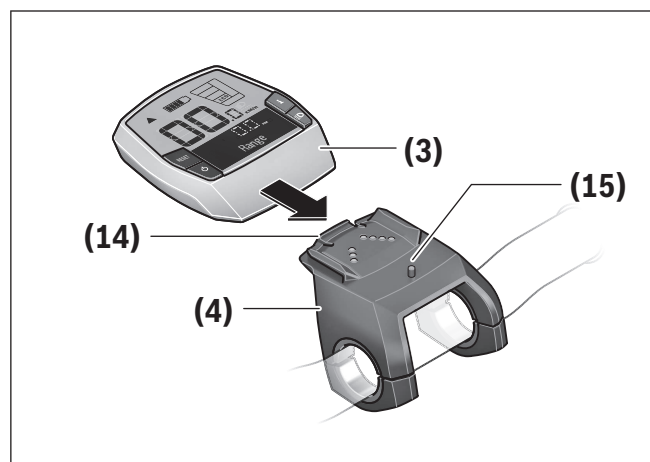
The Bosch eBike system uses FreeRTOS
(see <http://www.freertos.org>).

Assembly

Inserting and removing the battery

For inserting and removing the eBike battery in/from the eBike, please read and observe the battery operating instructions.

Inserting and removing the on-board computer



(3) On-board computer

(4) Holder for on-board computer

(14) Locking mechanism for on-board computer

(15) Locking screw for on-board computer

To **insert** the on-board computer (3), slide it into the holder (4) from the front.

To remove the on-board computer (3), push on the locking mechanism (14) and slide it forwards out of the holder (4).

► **When you park up the eBike, remove the on-board computer.**

The on-board computer can be secured in place to prevent it from being removed from the holder. To do this, remove the holder (4) from the handlebars. Put the on-board computer in the holder. Screw the locking screw (15) (M3 thread, 8 mm long) from below into the corresponding thread in the holder. Mount the holder back on the handlebars.

Note: The locking screw is not designed to prevent theft.

Operation

Prerequisites

The eBike system can only be activated when the following requirements are met:

– A sufficiently charged battery is inserted (see battery operating instructions).

– The on-board computer is properly inserted in the holder (see "Inserting and removing the on-board computer", page English – 7).

– The speed sensor is connected properly (see drive unit operating instructions).

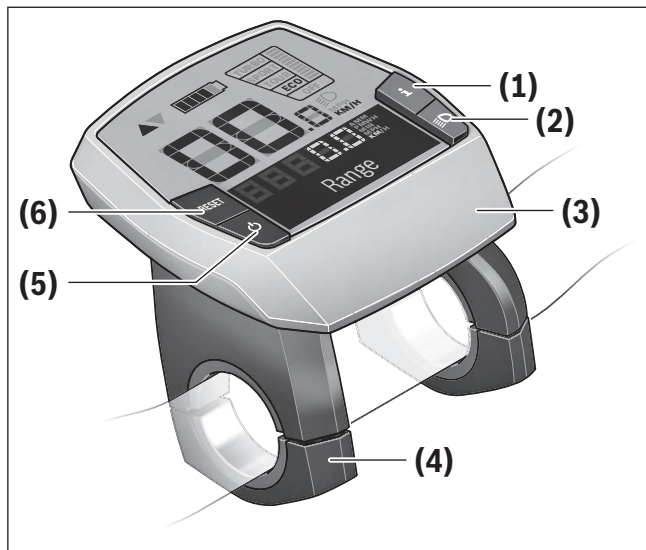
Switching the eBike system on/off

The following options are available for **switching on** the eBike system:

- If the on-board computer is already switched on when you insert it into the holder, the eBike system will be automatically activated.
- When the on-board computer and the eBike battery are inserted, briefly press the on/off button of the on-board computer.
- With the on-board computer inserted, press the on/off button on the eBike battery (some bicycle manufacturer-specific solutions prevent access to the battery on/off button; see the battery operating instructions).

The drive is activated as soon as you start pedaling (except for in the push assistance function or with the assistance level **OFF**). The motor output depends on which assistance level is set on the on-board computer.

As soon as you stop pedaling when in normal operation, or as soon as you have reached a speed of **20/28 mph**, the eBike drive unit switches off the assistance. The drive is automatically re-activated as soon you start pedaling again and the speed is below **20/28 mph**.



The following options are available for **switching off** the eBike system:

- Press the on/off button of the on-board computer.
 - Switch off the eBike battery using its on/off button (some bicycle manufacturer-specific solutions prevent access to the battery on/off button; see the bicycle manufacturer operating instructions).
 - Remove the on-board computer from its holder.
- If no power is drawn from the eBike drive for about 10 minutes (e.g. because the eBike is not moving) and no button is pressed on the on-board computer or the operating unit of the eBike, the eBike system, and therefore also the battery, will switch off automatically to save energy.

eShift (optional)

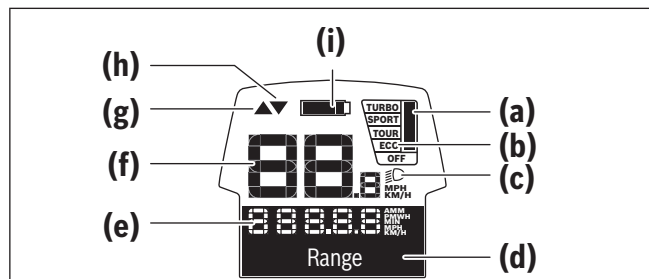
eShift is the integration of electronic gear shifting systems into the eBike system. The eShift components are electrically connected to the drive unit by the manufacturer. The separate operating instructions describe how to operate the electronic gear-shifting systems.

Energy supply of the on-board computer

If the on-board computer is in the holder **(4)**, a sufficiently charged battery is inserted in the eBike and the eBike system is switched on, then the on-board computer is powered by the battery of the eBike. If the on-board computer is removed from the holder **(4)**, the energy is supplied via an internal battery. If the internal battery is weak when the on-board computer is switched on, **<Attach to bike>** will appear on the text indicator **(d)** for 3 s. The on-board computer will then turn off again.

To charge the internal battery, put the on-board computer back in the holder **(4)** (when a battery is inserted in the eBike). Switch the eBike battery on by its on/off button (see battery operating instructions). You can also charge the on-board computer via the USB port. To do this, open the protective cap **(8)**. Connect the USB port **(7)** of the on-board computer via a suitable USB cable to a standard USB charger or

the USB port of a computer (5 V charging voltage, max. 500 mA charging current). **<USB connected>** will appear on the text indicator **(d)** of the on-board computer.



Powering external devices from the USB port

The USB port can be used to operate or charge most devices that can be powered via USB (e.g. various mobile phones).

Charging requires the on-board computer to be mounted and a sufficiently charged battery to be inserted in the eBike.

Open the protective cap **(8)** for the USB port on the on-board computer. Use a Micro-A – Micro-B USB charging cable (available from your Bosch eBike dealer) to connect the USB port on the external device to the USB port **(7)** on the on-board computer. Once the electrical load has been disconnected, the USB port must be carefully resealed with the protective cap **(8)**.

A USB connection is not a watertight plug connection. When cycling in wet conditions, ensure no external devices are connected and that the USB port is fully covered by the protective cap (8).

Attention: Any electrical devices connected can reduce the range of the eBike.

Switching on/shutting down the on-board computer

To **switch on** the on-board computer, briefly press the on/off button **(5)**. The on-board computer can also be switched on when it is not inserted in the holder (if the internal battery is sufficiently charged).

To **switch off** the on-board computer, press the on/off button **(5)**.

If the on-board computer is not inserted in the holder, it automatically switches off after 1 minute to save energy if no button is pressed.

► **If you are not going to be using your eBike for several weeks, remove the on-board computer from its holder.** Store the on-board computer in a dry environment at room temperature. Regularly recharge the on-board computer's battery (at least every 3 months).

Battery charge indicator

The battery charge indicator **(i)** displays the state of charge of the eBike battery, not that of the on-board computer's internal battery. The state of charge of the eBike battery can also be checked on the LEDs of the battery itself.

Each bar of the battery symbol on the indicator **(i)** represents approximately 20 % of the capacity:



The eBike battery is fully charged.

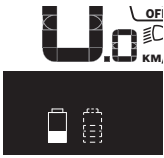


The eBike battery should be recharged.



The LEDs of the battery charge indicator on the battery go out. The capacity for assisting the drive has been used up, and assistance is gently switched off. The remaining capacity is made available for the lighting and the on-board computer. The indicator flashes. The capacity of the eBike battery is enough for about two hours of lighting. This does not account for other consumers (e.g. automatic gearbox, charging external devices from the USB port).

If the on-board computer is removed from the holder **(4)**, the last displayed state of charge of the battery is saved. If an eBike is powered by two batteries, the battery charge indicator **(i)** displays the state of charge of both batteries.



If an eBike has two batteries inserted into it and both batteries are charged on the bike, the charging progress of both batteries will be indicated on the display (the left-hand battery is being charged in the illustration). You can also tell by the flashing indicator on the battery which of the two batteries is being charged at the moment.

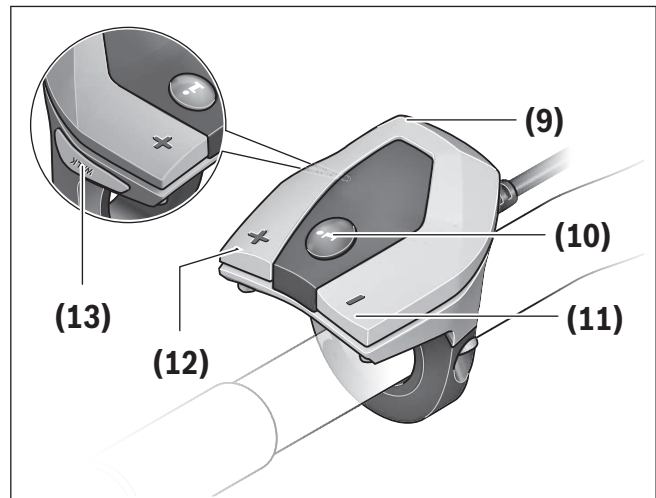
Setting the assistance level

On the operating unit **(9)**, you can set the level of assistance you want the eBike drive to provide you with while pedaling. The assistance level can be changed at any time, even while cycling.

Note: In some models, the assistance level may be preset and cannot be changed. There may also be fewer assistance levels available than stated here.

The following assistance levels are available as a maximum:

- **OFF:** Motor assistance is switched off. The eBike can just be moved by pedaling, as with a normal bicycle. The push assistance cannot be activated at this assistance level.
- **ECO:** Effective assistance with maximum efficiency, for maximum range
- **TOUR:** Steady assistance, long range for touring
- **SPORT/eMTB:**
 - SPORT:** Powerful assistance, for mountain biking and for cycling in urban traffic
 - eMTB:** Optimum assistance whatever the terrain, rapid acceleration when starting from a standstill, improved dynamics, top performance (**eMTB** is only available in combination with drive units BDU250P CX, BDU365, BDU450 CX and BDU480 CX. This also requires a software update.)
- **TURBO:** Maximum assistance even at high pedaling speeds, for biking sports



To **increase** the assistance level, press the **+** button **(12)** on the operating unit repeatedly until the required assistance level appears on the indicator **(b)**. To **decrease** the assistance level, press the **-** button **(11)**.

The requested motor output is shown on the display **(a)**. The maximum motor output depends on the selected assistance level.

When the on-board computer is removed from the holder **(4)**, the last indicated assistance level is stored; the motor-output indicator **(a)** remains empty.

Interaction between the eBike system and gear-shifting

The gear-shifting should be used with an eBike drive in the same way as with a normal bicycle (observe the operating instructions of your eBike on this point). Irrespective of the type of gear-shifting, it is advisable that you briefly stop pedaling when changing gear. This will aid the gear change and reduces wear on the powertrain.

By selecting the correct gear, you can increase your speed and range while applying the same amount of force.

For this reason, follow the gear change recommendations provided by the indicators **(g)** and **(h)** on your display. If indicator **(g)** is displayed, you should

change to a higher gear with lower cadence. If indicator **(h)** is displayed, you should select a lower gear with higher cadence.

Switching bike lights on/off

On the model in which the lighting is powered by the eBike system, the front and rear lights can be switched on and off at the same time via the on-board computer using the bike light button **(2)**.

Before starting each journey, check that your bike lights are working correctly.

When the lighting is switched on, **<Lights on>** appears and when the lighting is switched off, **<Lights off>** appears for approx. 1 s on the text indicator **(d)**. The lighting symbol **(c)** is displayed when the light is on.

The on-board computer saves the light status and activates this saved status accordingly after a restart. Switching the bike lights on and off has no effect on the backlighting of the display.

Switching the push assistance on/off

The push assistance aids you when pushing your eBike. The speed of this function depends on the se-

lected gear and can reach a maximum of **3.7 mph**. The lower the selected gear, the lower the speed of the push assistance function (at full power).

► **The push assistance function must only be used when pushing the eBike.** There is a risk of injury if the wheels of the eBike are not in contact with the ground while using the push assistance.

To **activate** the push assistance, briefly press the **WALK** button on your on-board computer. After activation, press the **+** button within 3 s and keep it pressed. The eBike drive is switched on.

Note: The push assistance cannot be activated at assistance level **OFF**.

The push assistance is **switched off** as soon as one of the following occurs:

- You release the **+** button;
- the wheels of the eBike are locked (e.g. by applying the brakes or hitting an obstacle);
- the speed exceeds **3.7 mph**.

The push assistance function is subject to local regulations; the way it works may therefore differ from the description above. It can also be deactivated.

Displays and settings of the on-board computer

Speed and distance indicators

The **speedometer (f)** always displays the current speed.

You can choose from the following functions in the **function display** (combination of text indicator **(d)** and value indicator **(e)**):

- **<Clock>**: Current time
- **<Max. speed>**: Maximum speed achieved since the last reset
- **<Avg. speed>**: Average speed achieved since the last reset
- **<Trip time>**: Journey time since the last reset
- **<Range>**: Estimated range of the available battery charge (at constant conditions such as assistance level, route profile, etc.)

- **<Odometer>**: Total distance traveled with the eBike (cannot be reset)
- **<Trip distance>**: Distance traveled since the last reset

To **switch between display functions**, press the **i** button **(1)** on the on-board computer or the **i** button **(10)** on the operating unit repeatedly until the required function is displayed.

To reset the **<Trip distance>**, **<Trip time>** and **<Avg. speed>**, switch to one of these three functions and then press and hold the **RESET** button **(6)** until the indicator is set to zero. This will also reset the values of the other two functions.

To reset the **<Max. speed>**, switch to this function and then press and hold the **RESET** button **(6)** until the indicator is set to zero.

To reset the **<Range>**, switch to this function and then press and hold the **RESET** button **(6)** until the indicator is reset to the value of the factory setting. If the on-board computer is removed from the holder **(4)**, all values of the functions are saved and can still be displayed.

Displaying/adjusting basic settings

The basic settings can be displayed and changed regardless of whether the on-board computer is inserted in the holder **(4)** or not. Some settings can only be viewed and changed when the computer is inserted. Depending on the equipment of your eBike, some menu items may not be present.

To go to the basic settings menu, simultaneously press and hold the **RESET** button **(6)** and the **i** button **(1)** until **<Configuration>** appears in the text indicator **(d)**.

To **switch between the basic settings**, press the **i** button **(1)** on the on-board computer repeatedly until the required basic setting is displayed. If the on-board computer is inserted in the holder **(4)**, you can also press the **i** button **(10)** on the operating unit.

To **change the basic settings**, press the on/off button **(5)** next to the **-** indicator to reduce or scroll down, or the lighting button **(2)** next to the **+** indicator to increase or scroll up. If the on-board computer is inserted in the holder **(4)**, it is also possible to change the settings with the **- (11)** and **+(12)** buttons on the operating unit.

To exit the function and save a changed setting, press the **RESET** button **(6)** for 3 s.

You can choose between the following basic settings:

- **<- Clock +>**: Setting the current time. The time can be changed faster by pressing the setting buttons for longer.
- **<- Wheel circum. +>**: Changing the value pre-set by the manufacturer by $\pm 5\%$. This menu item is displayed only when the on-board computer is in the holder.
- **<- English +>**: Changing the language of the text indicator. You can choose between German, English, French, Spanish, Italian, Portuguese, Swedish, Dutch and Danish.
- **<- Unit km/mi +>**: Displaying the speed and distance in either kilometers or miles.
- **<- Time format +>**: Displaying the time in 12-hour or 24-hour format.
- **<- Shift recom. on +>/<- Shift recom. off +>**: Switching the shift recommendation display on or off.
- **<Power-on hours>**: Total time traveled with the eBike (cannot be changed)
- **<Displ. vx.x.x.x>**: Display software version.
- **<DU vx.x.x.x>**: Drive unit software version. This menu item is displayed only when the on-board computer is in the holder.
- **<DU SN xxxxxxxx/xxx>**: Drive unit serial number. This menu item is displayed only when the on-board computer is in the holder.
- **<DU PN xxxxxxxxxxx>**: Drive unit part number. This menu item is displayed only when the on-board computer is in the holder and the drive unit has access to a part number.
- **<Service MM/YYYY>**: This menu item is displayed if the bicycle manufacturer has set a fixed service date.
- **<Serv. xx km/mi>**: This menu item is displayed if the bicycle manufacturer has set a service date after a certain traveling distance.
- **<Bat. vx.x.x.x>**: Battery software version. This menu item is displayed only when the on-board computer is in the holder. When using two batteries, the software versions of both batteries are displayed successively.

- **<Bat. PN xxxxxxxxxx>**: eBike battery part number. This menu item is displayed only when the on-board computer is in the holder and the eBike battery has access to a part number. When using two batteries, the software versions of both batteries are displayed successively.
- **<Cha. vx.x.x.x>**: Software version of the charger used to charge the eBike battery. This is displayed only if the charger has access to the software version.
- If the eBike is equipped with ABS, the software version, serial number and part number of the ABS are also displayed.

Transport

- ▶ **If you transport your eBike attached to the outside of your car, e.g. on a bike rack, remove the on-board computer and the eBike battery to avoid damaging them.**
 - ▶ **Always remove the battery pack from the bicycle before transporting the bicycle on a vehicle bike rack.** Failure to remove the battery pack when using a vehicle bike rack can lead to death or serious injury. The battery may detach during transport and cause an accident to following vehicles.
 - ▶ **Always use an approved and compatible bicycle rack when transporting your eBike. The Bosch drive system adds weight to the bicycle.** Refer to your bicycle rack manual to be sure your eBike is compatible. Overloading a bike rack can result in death or serious injury.
 - ▶ **Use proper lifting techniques as electric bikes are generally heavier than bicycles.**
- Ship batteries only when the housing is undamaged. Tape or mask off open contacts and pack up the battery in such a manner that it cannot move around in the packaging. Inform your parcel service that the package contains dangerous goods. Please also observe possibly more detailed national regulations. Always check state and federal regulations before attempting to ship your battery.
- If you have any questions about transporting the batteries, contact an authorized bicycle dealer. You can also order suitable transport packaging from the dealer.

Maintenance/cleaning

- ▶ **Do not open any of the components. Service should only be carried out at an authorized Bosch eBike dealer.** Failure to follow above warning can cause death or serious injury. Refer to your bicycle manual or component manual for all non-Bosch drive system components.
- ▶ **Always remove the battery pack before performing any bicycle inspection, maintenance or repair.** Failure to remove the battery pack before performing bicycle inspection, maintenance or repair can lead to serious injury.
- ▶ **If you suspect that something is loose, do not ride your bike.** See your Bosch eBike dealer, only a qualified service provider should perform work on your Bosch Drive System. All nuts, bolts, screws require the correct tightening force. Too little force and the fastener may not hold securely. Too much force and the fastener can strip threads, stretch, deform or break. Either way, incorrect tightening force can result in component failure, which can cause you to lose control and fall.
- ▶ **Do not paint any components of the Bosch drive system as they may cause premature failure of the component.**

Taking care of your eBike

Please observe the operating and storage temperatures of the eBike components. Protect the drive unit,

on-board computer and battery against extreme temperatures (e.g. from intense sunlight without adequate ventilation). Extreme temperatures can cause the components (especially the battery) to become damaged.

Have your eBike system checked by an expert at least once a year (including mechanical parts, up-to-date-ness of system software).

Please have your eBike serviced and repaired by an authorized bicycle dealer.

The bike retailer can also schedule the service based on a mileage and/or a time period. In this case, the on-board computer displays a message telling you when the service date is due each time it is switched on.

Cleaning

► **Do not submerge your eBike components in water, or wash with pressurized hose.** Your Bosch drive unit is designed to be water tight to rain water or non-pressure hose washing.

Keep all components of your eBike clean, especially the battery-pack contacts and corresponding holder contacts. All components including the drive unit may not be immersed in water or cleaned with a high-pressure cleaner. Keep all components of your eBike clean, especially the batterypack contacts and corresponding holder contacts. Clean them carefully with a soft, damp cloth (using only mild soap and water).

After-sales service and advice on using products

If you have any questions about the eBike system and its components, contact an authorized bicycle dealer.

For contact details of authorized bike dealerships, please visit www.bosch-ebike.com.

Please contact an authorized bicycle dealer if the battery is no longer working.

Troubleshooting

The components of the eBike system are continuously monitored automatically. If a fault is detected, the corresponding fault code will appear on the on-board computer.

The drive may also be switched off automatically depending on what type of fault has occurred. You can

continue riding at any time without assistance from the drive, but you should have your eBike checked before completing any more journeys.

► **Only have repairs performed by a certified bicycle dealer.**

Code	Cause	Corrective measures
410	One or more buttons of the on-board computer are disabled.	Check whether any buttons are stuck, e.g. as a result of dirt finding its way in. Clean the buttons if need be.
414	Operating unit connection problem	Have the connections checked
418	One or more buttons on the operating unit are disabled.	Check whether any buttons are stuck, e.g. as a result of dirt finding its way in. Clean the buttons if need be.
419	Configuration error	Restart the system. If the problem persists, contact your Bosch eBike dealer.
422	Drive unit connection problem	Have the connections checked
423	eBike battery connection problem	Have the connections checked
424	Communication problem between components	Have the connections checked
426	Internal time-out error	Restart the system. If the problem persists, contact your Bosch eBike dealer. With this error, it is not possible to bring up the wheel circumference in the basic settings menu or to adjust it.
430	Internal battery of the on-board computer is flat (does not apply to BUI350)	Charge the on-board computer (in the holder or via the USB port)
431	Software version error	Restart the system. If the problem persists, contact your Bosch eBike dealer.
440	Internal drive unit fault	Restart the system. If the problem persists, contact your Bosch eBike dealer.
450	Internal software error	Restart the system. If the problem persists, contact your Bosch eBike dealer.
460	Error at USB port	Remove the cable from the USB port of the on-board computer. If the problem persists, contact your Bosch eBike dealer.
490	Internal fault of the on-board computer	Have the on-board computer checked

Code	Cause	Corrective measures
500	Internal drive unit fault	Restart the system. If the problem persists, contact your Bosch eBike dealer.
502	Bike light fault	Check the light and the associated wiring. Restart the system. If the problem persists, contact your Bosch eBike dealer.
503	Speed sensor fault	Restart the system. If the problem persists, contact your Bosch eBike dealer.
504	Speed signal distortion detected.	Check that the spoke magnet is positioned correctly, and adjust it if necessary. Check that nothing has been tampered with (tuning). Drive assistance is reduced.
510	Internal sensor fault	Restart the system. If the problem persists, contact your Bosch eBike dealer.
511	Internal drive unit fault	Restart the system. If the problem persists, contact your Bosch eBike dealer.
530	Battery fault	Switch off the eBike, remove the eBike battery and reinsert the eBike battery. Restart the system. If the problem persists, contact your Bosch eBike dealer.
531	Configuration error	Restart the system. If the problem persists, contact your Bosch eBike dealer.
540	Temperature error	The eBike is outside of the permissible temperature range. Switch off the eBike system and allow the drive unit to either cool down or heat up to the permissible temperature range. Restart the system. If the problem persists, contact your Bosch eBike dealer.
550	An impermissible load has been detected.	Remove the load. Restart the system. If the problem persists, contact your Bosch eBike dealer.
580	Software version error	Restart the system. If the problem persists, contact your Bosch eBike dealer.
591	Authentication error	Switch off the eBike system. Remove the battery pack and reinsert it. Restart the system. If the problem persists, contact your Bosch eBike dealer.
592	Incompatible component	Use a compatible display. If the problem persists, contact your Bosch eBike dealer.
593	Configuration error	Restart the system. If the problem persists, contact your Bosch eBike dealer.
595, 596	Communication error	Check the wiring to the drive and restart the system. If the problem persists, contact your Bosch eBike dealer.

Code	Cause	Corrective measures
602	Internal battery fault	Restart the system. If the problem persists, contact your Bosch eBike dealer.
603	Internal battery fault	Restart the system. If the problem persists, contact your Bosch eBike dealer.
605	Battery temperature error	The battery is outside of the permissible temperature range. Switch off the eBike system and allow the battery to either cool down or heat up to the permissible temperature range. Restart the system. If the problem persists, contact your Bosch eBike dealer.
606	External battery fault	Check the wiring. Restart the system. If the problem persists, contact your Bosch eBike dealer.
610	Battery voltage error	Restart the system. If the problem persists, contact your Bosch eBike dealer.
620	Charger fault	Replace the charger. Contact your Bosch eBike dealer.
640	Internal battery fault	Restart the system. If the problem persists, contact your Bosch eBike dealer.
655	Multiple battery faults	Switch off the eBike system. Remove the battery pack and reinsert it. Restart the system. If the problem persists, contact your Bosch eBike dealer.
656	Software version error	Contact your Bosch eBike dealer so that they can perform a software update.
7xx	Error relating to third-party components	Observe the information in the operating instructions of the respective component manufacturer.
Display is blank	Internal fault of the on-board computer	Restart your eBike system by switching it off and back on.

Battery Recycling Program



The drive unit, on-board computer incl. operating unit, battery, speed sensor, accessories and packaging should be disposed of in an environmentally correct manner.

Do not dispose of eBikes and their components with household waste.



You may recycle your Bosch battery pack by calling 1.800.822.8837.

Table des matières

Introduction.....	2
À propos des avertissements.....	2
Avertissements généraux.....	2
Utilisez votre notice d'utilisation	3
Utilisation de votre ordinateur de bord.....	4
Consignes de sécurité	4
Description et caractéristiques techniques du produit.....	6
Montage.....	7
Utilisation.....	8
Affichage et configuration de l'ordinateur de bord	12
Transport	14
Maintenance/nettoyage.....	14
Résolution des problèmes.....	16
Programme de recyclage des accus.....	19

Introduction

À propos des avertissements

Cette notice contient de nombreuses mentions de danger de type **DANGER**, **AVERTISSEMENT** et **ATTENTION** destinées à attirer l'attention sur les conséquences d'erreurs, dans le but d'utiliser, d'assembler, d'entretenir, de conserver et d'éliminer dans les règles et en toute sécurité les vélos électriques dotés d'un système eBike Bosch.

- Le symbole de sécurité et le mot **DANGER** signalent une situation à risque élevé, qui entraîne inévitablement des blessures graves, voire la mort, si elle n'est pas évitée.

- Le symbole de sécurité et le mot **AVERTISSEMENT** signalent une situation à risque élevé, pouvant entraîner des blessures graves, voire la mort, si elle n'est pas évitée.
- Le symbole de sécurité et le mot **ATTENTION** signalent une situation à risque modéré pouvant entraîner des blessures légères ou modérées si elle n'est pas évitée.

Avertissements généraux



Lisez tous les avertissements de sécurité et toutes les instructions. Le fait de ne pas respecter les avertissements et les instructions peut entraîner des blessures graves ou mortelles.

Conservez tous les avertissements et toutes les instructions pour pouvoir s'y reporter ultérieurement.

Le terme **accu** utilisé dans la présence notice d'utilisation désigne un accu/une batterie d'eBike Bosch d'origine.

▲ AVERTISSEMENT

- ▶ **Cette notice contient d'importantes informations sur la sécurité, les performances et l'entretien.** Veuillez la lire avant d'utiliser votre vélo pour la première fois, et la conserver pour référence ultérieure. Vous pouvez également retrouver cette notice en ligne à l'adresse www.bosch-ebike.com.
- ▶ **Cette notice est destinée à être lue conjointement avec le manuel utilisateur séparé fourni avec votre vélo.** Assurez-vous de lire tous les do-

cuments fournis y compris les étiquettes apposées sur le produit avant la première utilisation.

- ▶ **Lisez TOUS les manuels et TOUTES les notices jointes avant d'utiliser votre vélo pour la première fois.** Votre système d'entraînement Bosch est livré avec d'autres manuels et documents fournis par le fabricant du vélo et des autres éléments. Ne pas lire ou ne pas comprendre les informations de sécurité peut entraîner des blessures graves ou mortelles.
- ▶ **Assumez la responsabilité de votre propre SÉCURITÉ.** En cas de question ou d'incompréhension, contactez votre revendeur ou le fabricant du vélo ou de l'élément.
- ▶ **Certains accessoires de l'eBike peuvent présenter un risque d'étouffement pour les petits enfants.** Conservez ces accessoires hors de portée des enfants.

▲ ATTENTION

- ▶ **Le système d'entraînement Bosch alourdit votre vélo. Vous n'avez peut-être pas l'habitude de le soulever.** Évitez de vous blesser en utilisant des techniques de levage appropriées.

Utilisez votre notice d'utilisation

Nous nous réservons le droit d'apporter à tout moment des modifications au logiciel pour corriger des erreurs ou pour modifier les fonctionnalités décrites dans la présente notice.

Graphiques

Le vélo illustré dans cette notice peut être légèrement différent de votre vélo, mais il est suffisamment similaire pour vous permettre de comprendre nos instructions.

Les côtés DROIT et GAUCHE sont déterminés en se plaçant en situation, dans le sens de la marche du vélo. Lorsqu'une ligne en pointillé (-----) apparaît, l'élément auquel il est fait référence n'est pas visible.

Utilisation de votre ordinateur de bord

Consignes de sécurité



Lisez attentivement toutes les instructions et consignes de sécurité. Le non-respect des instructions et consignes de sécurité peut provoquer un choc électrique, un incendie et/ou entraîner de graves blessures.

Conservez tous les avertissements et toutes les instructions pour pouvoir s'y reporter ultérieurement.

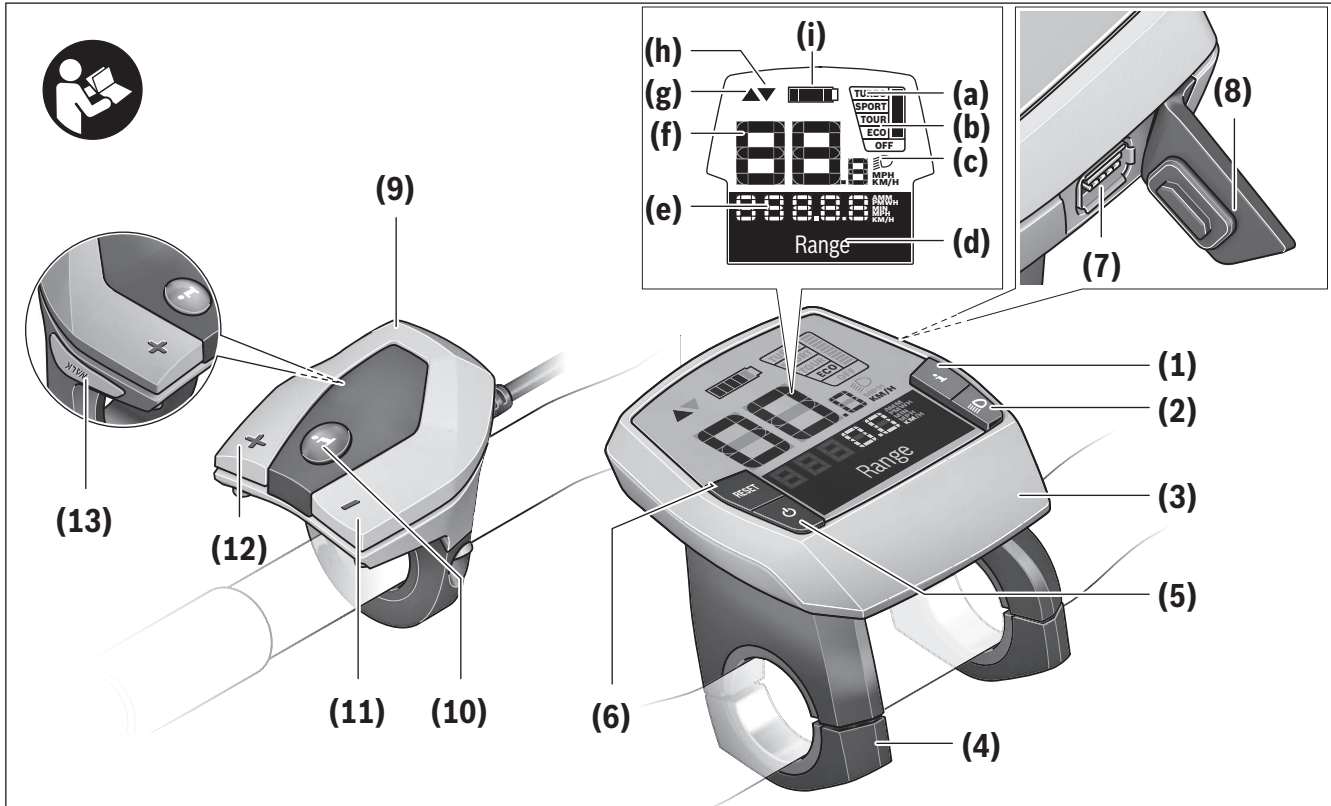
Le terme **accu** utilisé dans la présente notice d'utilisation désigne un accu/une batterie d'eBike Bosch d'origine.

- ▶ **Ne rechargez l'ordinateur de bord que via une source d'alimentation USB (5 V, 500 mA maxi) et un câble USB pour courant de charge d'au moins 500 mA.** En cas d'utilisation d'une source d'alimentation USB ou d'un câble USB inadaptés, il y a risque d'incendie, d'explosion ou de blessures.
- ▶ **Rechargez l'ordinateur de bord à des températures supérieures à +32 °F (0 °C) et inférieures à +104 °F (40 °C). Rangez et conservez l'ordinateur de bord dans des endroits où la température n'excède pas 104 °F (40 °C).** Cela est important pour prévenir tout endommagement de l'accu de l'ordinateur de bord.
- ▶ **N'exposez pas l'ordinateur de bord à une source de chaleur ou à des températures excessives.** L'exposition à une source de chaleur (p. ex. flamme nue) ou à des températures supérieures à 212 °F (100 °C) risque de provoquer une explosion.
- ▶ **Ne rechargez pas l'ordinateur de bord (via la prise USB) dans un environnement moite ou humide.** Toute pénétration d'eau dans l'ordinateur de bord peut provoquer un incendie ou un choc électrique.
- ▶ **Ne plongez jamais l'ordinateur de bord dans un liquide quel qu'il soit et évitez à tout prix toute pénétration de liquide à l'intérieur.** Les liquides corrosifs ou conducteurs (eau de mer, produits chimiques, produits désinfectants type eau de Javel, etc.) peuvent provoquer des courts-circuits susceptibles de déclencher un incendie, causer des blessures ou entraîner des dommages matériels.
- ▶ **Dans des conditions d'utilisation ou à des températures extrêmes, l'accu risque de fuir. Évitez tout contact avec la peau et les yeux.** L'électrolyte de l'accu est caustique et risque de brûler la peau et les tissus. En cas de contact avec la peau, rincez abondamment avec de l'eau et du savon. En cas de contact avec les yeux, rincez immédiatement avec de l'eau pendant au moins 15 minutes et demandez une assistance médicale.
- ▶ **Pour recharger l'ordinateur de bord avec une source d'alimentation USB externe, placez-le sur une surface plane ininflammable, loin de tout matériau inflammable.** Ne le posez pas sur de la moquette et d'autres isolants thermiques. Ils bloquent la circulation de l'air et peuvent causer une surchauffe de l'ordinateur de bord. Si vous observez un dégagement de fumée ou des traces de fusion au niveau de l'ordinateur de bord, débranchez aussitôt la source d'alimentation USB externe et n'utilisez plus l'ordinateur de bord. Contactez sans délai le service clients.
- ▶ **Contrôlez l'état de l'ordinateur de bord, du câble et de la prise avant chaque utilisation.** N'utilisez plus l'ordinateur de bord si vous constatez un quelconque dommage. Un ordinateur de bord, un câble de charge ou une prise qui ne sont pas en parfait état augmentent le risque d'incendie, d'explosion ou de blessure corporelle.

- ▶ **Ne vous servez pas de l'ordinateur de bord comme d'une poignée.** Si vous soulevez votre vélo en le saisissant par l'ordinateur de bord, ce dernier risque d'être endommagé irrémédiablement.
- ▶ **Ne démontez pas l'ordinateur de bord.** Il ne comporte aucune pièce réparable ou remplaçable par l'utilisateur. Un remontage incorrect peut provoquer un incendie ou une explosion.
- ▶ **Ne vous laissez pas distraire par l'affichage sur l'ordinateur de bord.** Si vous ne vous concentrez pas pleinement sur les conditions de circulation, vous risquez d'être impliqué dans un accident. Pour changer de niveau d'assistance et effectuer des entrées dans votre ordinateur de bord, arrêtez-vous et saisissez les données souhaitées.
- ▶ **Lisez et respectez les consignes de sécurité et les instructions de toutes les notices d'utilisation du système eBike, ainsi que la notice d'utilisation de votre eBike.**

Description et caractéristiques techniques du produit

Caractéristiques du produit



- (1) Touche fonction d'affichage **i**
- (2) Touche d'éclairage du vélo
- (3) Ordinateur de bord
- (4) Support ordinateur de bord
- (5) Touche Marche/Arrêt de l'ordinateur de bord
- (6) Touche de réinitialisation **RESET**
- (7) Prise USB
- (8) Cache de protection de la prise USB
- (9) Unité de commande
- (10) Touche Fonction d'affichage **i** sur l'unité de commande
- (11) Touche Réduction de l'assistance/ défilement vers le bas **-**
- (12) Touche Augmentation de l'assistance/ défilement vers le haut **+**

- (13) Touche Assistance à la poussée **WALK**
 - (14) Dispositif d'arrêt de l'ordinateur de bord
 - (15) Vis de blocage de l'ordinateur de bord
- Câble de charge USB (micro A – micro B)^{A)}

A) Pas représenté, disponible en tant qu'accessoire

Affichages sur l'ordinateur de bord

- (a) Assistance de l'unité d'entraînement
- (b) Niveau d'assistance
- (c) Éclairage
- (d) Affichage de texte
- (e) Affichage de valeurs numériques
- (f) Compteur de vitesse
- (g) Recommandation de changement de vitesse : sélectionner vitesse supérieure

(h) Recommandation de changement de vitesse : sélectionner vitesse inférieure

(i) Indicateur de niveau de charge de la batterie

Caractéristiques techniques

Ordinateur de bord		Intuvia
Code produit		BUI255
Courant de charge maxi de la prise USB	mA	500
Tension de charge de la prise USB	V	5
Câble de charge USB ^{A)}		1 270 016 360
Températures de fonctionnement	°F	+23 ... +104

Ordinateur de bord		Intuvia
Températures de stockage	°F	+50 ... +104
Températures de charge	°F	+32 ... +104
Accu Li-ion interne	V mAh	3,7 230
Indice de protection ^{B)}		IP54
Poids (approx.)	lb	0,30

A) non compris dans la fourniture d'origine

B) quand le cache de protection USB est fermé

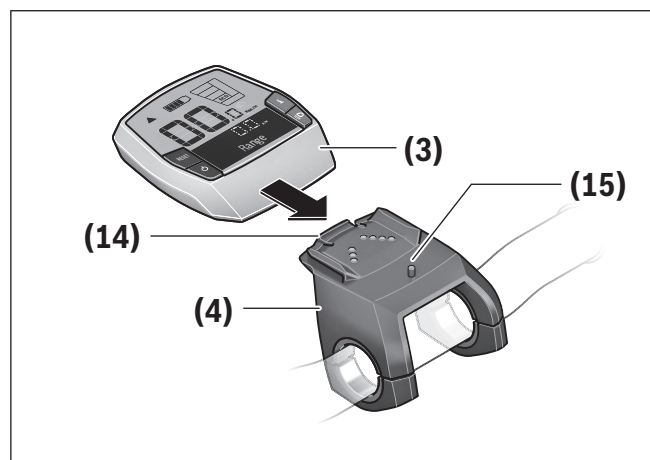
Le système eBike de Bosch utilise FreeRTOS (voir <http://www.freertos.org>).

Montage

Montage et démontage de la batterie

Pour le montage de la batterie sur le vélo électrique et son retrait, veuillez vous référer à la notice d'utilisation de la batterie.

Mise en place et retrait de l'ordinateur de bord



(3) Ordinateur de bord

(4) Support de fixation ordinateur de bord

(14) Dispositif d'arrêt de l'ordinateur de bord

(15) Vis de blocage de l'ordinateur de bord

Pour **insérer** l'ordinateur de bord (3), faites-le glisser dans le support (4) par l'avant.

Pour retirer l'ordinateur de bord (3), appuyez sur le dispositif d'arrêt (14) et faites-le glisser vers l'avant hors du support (4).

► **Retirez l'ordinateur de bord lorsque vous garez votre vélo électrique.**

Il est également possible de bloquer l'ordinateur de bord dans son support pour qu'il ne puisse pas être enlevé. Pour cela, démontez le support (4) du guidon. Placez l'ordinateur de bord sur son support. Vissez par le dessous la vis de blocage (15) (filetage M3, 8 mm de long) dans le trou fileté du support prévu à cet effet. Remontez le support sur le guidon.

Remarque : La vis de blocage n'est pas une véritable protection antivol.

Utilisation

Conditions préalables

Le système eBike ne peut être activé que si les conditions suivantes sont réunies :

- La batterie utilisée est suffisamment chargée (voir la notice d'utilisation de la batterie).
- L'ordinateur de bord est correctement inséré dans son support (voir « Mise en place et retrait de l'ordinateur de bord », Page Français – 7).
- Le capteur de vitesse est correctement branché (voir la notice d'utilisation de la Drive Unit).

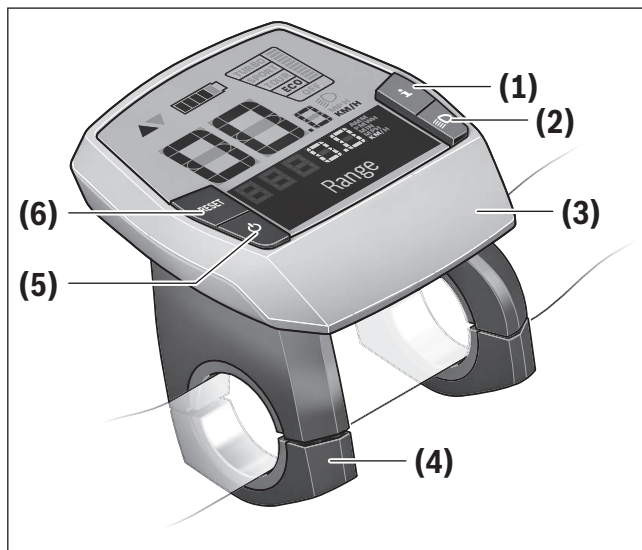
Mise en marche/arrêt du système eBike

Pour **mettre en marche** le système eBike, vous avez les possibilités suivantes :

- Si l'ordinateur de bord est déjà allumé lors de son insertion dans le support, le système eBike s'active automatiquement.
- L'ordinateur de bord et la batterie étant en place sur le vélo, appuyez brièvement une fois sur le bouton Marche/Arrêt de l'ordinateur de bord.
- L'ordinateur de bord étant en place dans son support, appuyez sur la touche Marche/Arrêt de la batterie (certains fabricants de vélos proposent des solutions sans accès possible à la touche Marche/Arrêt de la batterie ; voir la notice d'utilisation de la batterie).

Le système d'entraînement eBike est activé dès que vous appuyez sur les pédales (sauf quand l'assistance à la poussée est active ou avec le niveau d'assistance **OFF**). La puissance du moteur est déterminée par le niveau d'assistance paramétré au niveau de l'ordinateur de bord.

Dès que vous arrêtez de pédaler en mode normal ou dès que vous avez atteint une vitesse de **20/28 mph**, le système d'entraînement eBike désactive l'assistance. L'entraînement se réactive automatiquement dès que vous vous mettez à pédaler et que la vitesse est inférieure à **20/28 mph**.



Pour **arrêter** le système eBike, vous avez les possibilités suivantes :

- Actionnez la touche Marche/Arrêt de l'ordinateur de bord.
- Désactivez la batterie en actionnant la touche Marche/Arrêt (certains fabricants de vélos proposent des solutions sans accès possible à la touche Marche/Arrêt de la batterie ; voir la notice d'utilisation de la batterie).
- Retirez l'ordinateur de bord de son support.

Si le système eBike n'est pas sollicité pendant 10 minutes (du fait par ex. que le vélo est à l'arrêt) et qu'en même temps aucune touche de l'ordinateur de bord ou de l'unité de commande de votre vélo électrique n'est actionnée, le système eBike s'arrête automatiquement de même que la batterie afin d'économiser l'énergie.

eShift (en option)

eShift indique qu'un système de passage de vitesses électronique est associé au système eBike. Les composants eShift sont reliés électriquement à l'unité d'entraînement par le fabricant. Les systèmes de passage de vitesses électroniques sont décrits dans une notice d'utilisation à part.

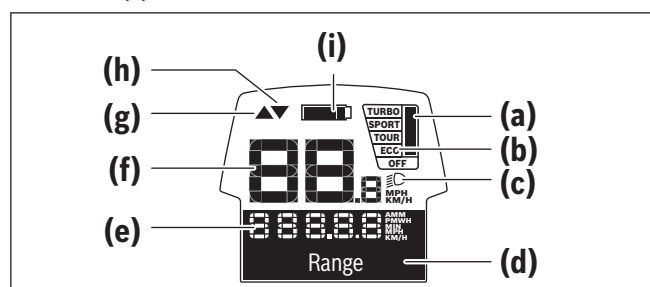
Alimentation en énergie de l'ordinateur de bord

Trois conditions doivent être remplies pour que la batterie du vélo électrique alimente en énergie l'accu de l'ordinateur de bord : l'ordinateur de bord doit être en place dans son support **(4)**, une batterie suffisamment chargée doit être en place sur le vélo électrique et le système eBike doit être activé.

Après avoir été retiré de son support **(4)**, l'ordinateur de bord est alimenté en énergie via son accu. Si l'accu interne est faible au moment de la mise en marche de l'ordinateur de bord, le message **<Connecter au vélo>** s'affiche pendant 3 s au niveau de l'affichage **(d)**. Ensuite, l'ordinateur de bord s'éteint.

Pour recharger l'accu interne, replacez l'ordinateur de bord sur son support **(4)** (quand une batterie est en place sur le vélo électrique). Mettez en marche la batterie du vélo électrique en actionnant la touche Marche/Arrêt (voir la notice d'utilisation de la batterie).

Vous pouvez également recharger l'ordinateur de bord via la prise USB. Pour cela, ouvrez le cache de protection **(8)**. Branchez la prise USB **(7)** de l'ordinateur de bord via un câble USB adapté à un chargeur USB standard ou à la prise USB d'un ordinateur (tension de charge de 5 V, courant de charge maxi 500 mA). Au niveau de l'affichage **(d)** de l'ordinateur de bord apparaît **<USB connectée>**.



Alimentation en énergie d'appareils externes via la prise USB

La prise USB peut être utilisée pour faire fonctionner ou pour recharger la plupart des appareils pouvant

être alimentés via un câble USB (par ex. téléphones portables).

Pour pouvoir recharger un appareil, il faut l'ordinateur de bord soit logé dans son support et qu'une batterie suffisamment chargée soit en place sur le vélo électrique.

Ouvrez le cache de protection **(8)** de la prise USB de l'ordinateur de bord. Connectez la prise USB de l'appareil externe à la prise USB **(7)** de l'ordinateur de bord au moyen d'un câble USB Micro A/Micro B normalisé (disponible chez votre revendeur VAE Bosch). Après avoir déconnecté le consommateur électrique, remettez soigneusement en place le cache de protection **(8)** sur la prise USB.

Une connexion USB n'est pas étanche à l'eau. En cas de trajets sous la pluie, ne branchez aucun appareil externe à la prise USB et assurez-vous que le cache de protection (8) est bien en place.

Attention : Le fait de brancher des consommateurs électriques à la prise peut réduire l'autonomie du vélo électrique.

Mise en marche/arrêt de l'ordinateur de bord

Pour **mettre en marche** l'ordinateur de bord, appuyez brièvement sur la touche Marche/Arrêt **(5)**. L'ordinateur de bord peut aussi être activé quand il ne se trouve pas dans son support (à condition que son accu interne soit suffisamment chargé).

Pour **arrêter** l'ordinateur de bord, appuyez sur la touche Marche/Arrêt **(5)**.

Si l'ordinateur de bord n'est pas monté dans son support, il s'éteint automatiquement après 1 minute d'inactivité afin d'économiser l'énergie.

► **Si vous savez que vous n'allez pas utiliser votre vélo électrique pendant plusieurs semaines, retirez l'ordinateur de bord de son support.**

Conservez l'ordinateur de bord dans un endroit sec, à la température ambiante. Rechargez régulièrement son accu (au moins tous les 3 mois).

Indicateur de niveau de charge de la batterie

L'indicateur de charge **(i)** indique le niveau de charge de la batterie du vélo électrique, pas le niveau de charge de l'accu interne de l'ordinateur de bord. Le niveau de charge de la batterie du vélo électrique peut également être lu au niveau des LED de la batterie proprement dite.

Sur l'affichage **(i)**, chaque barre du symbole de batterie représente environ 20 % de capacité :



La batterie du vélo électrique est complètement chargée.



La batterie du vélo électrique a besoin d'être rechargée.



Les LED de l'indicateur de niveau de charge de la batterie sont toutes éteintes. La capacité à disposition pour l'assistance électrique est épuisée. L'assistance est désactivée en douceur. La capacité résiduelle de la batterie sera utilisée pour faire fonctionner l'éclairage et l'ordinateur de bord, le symbole de batterie clignote. La capacité de la batterie est suffisante pour encore 2 heures d'éclairage environ. Cette durée ne tient pas compte des autres besoins en courant (par ex. moyeu automatique à vitesses intégrées, charge d'appareils externes via la prise USB).

Si l'ordinateur de bord est retiré de son support **(4)**, le dernier niveau de charge de batterie affiché restera mémorisé. En cas d'utilisation sur un vélo équipé de deux batteries, l'indicateur de niveau de charge **(i)** indique le niveau de charge des deux batteries.



Lors de la recharge des deux batteries d'un vélo à deux batteries, l'écran indique l'état d'avancement de la charge des deux batteries (sur la figure ci-contre, la batterie de gauche est en train d'être chargée). La batterie en train d'être chargée

est aussi reconnaissable au fait qu'elle clignote.

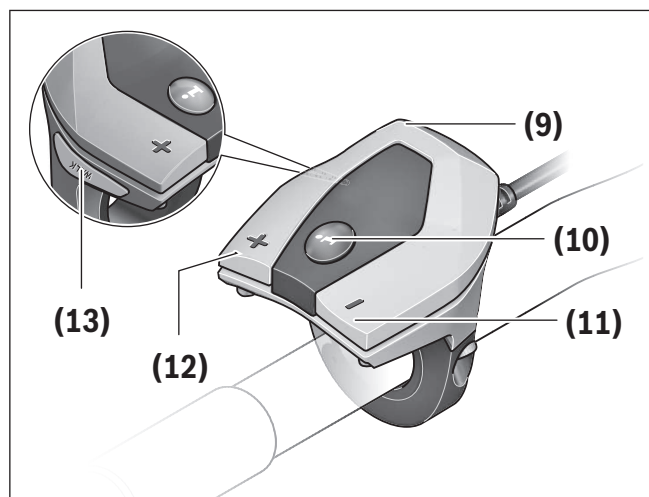
Réglage du niveau d'assistance

Vous pouvez sélectionner à l'aide de l'unité de commande **(9)** le niveau d'assistance électrique souhaité lorsque vous pédalez. Le niveau d'assistance peut être modifié à tout moment, même au cours de la conduite.

Remarque : Sur certaines versions, le niveau d'assistance est préréglé et ne peut pas être modifié. Sur d'autres, il peut y avoir moins de niveaux d'assistance que ce qui est indiqué ici.

Les niveaux d'assistance suivants sont disponibles :

- **OFF :** l'assistance électrique est désactivée, le vélo ne peut être utilisé que comme un vélo normal sans assistance. L'assistance à la poussée ne peut pas être activée.
- **ECO :** assistance efficace avec le rendement maximal, pour disposer d'une autonomie maximale
- **TOUR :** assistance régulière, pour de grands trajets et de grandes randonnées
- **SPORT/eMTB :**
 - SPORT :** assistance puissante pour parcours sportifs sur chemins montagneux ainsi que pour la circulation urbaine
 - eMTB :** assistance optimale sur tous terrains, démarrage sportif, dynamique améliorée, performances maximales (**eMTB** seulement disponible en combinaison avec les unités d'entraînement BDU250P CX, BDU365, BDU450 CX et BDU480 CX. Une mise à jour logicielle est parfois nécessaire.)
- **TURBO :** assistance maximale jusqu'à des fréquences de pédalage élevées, pour conduite sportive



Pour **augmenter** le niveau d'assistance, appuyez sur la touche **+** **(12)** de l'unité de commande jusqu'à ce que le niveau d'assistance souhaité s'affiche au niveau de l'affichage **(b)**. Pour **réduire** le niveau d'assistance, appuyez sur la touche **-** **(11)**.

La puissance moteur sollicitée apparaît au niveau de l'affichage **(a)**. La puissance maximale du moteur dépend du niveau d'assistance sélectionné.

Si l'ordinateur de bord est retiré de son support **(4)**, le niveau d'assistance affiché en dernier restera mémorisé, l'affichage **(a)** de la puissance du moteur restera vide.

Interaction entre le système eBike et le système de changement de vitesses

Même avec l'assistance électrique, vous devez changer de vitesses de la même façon qu'avec un vélo normal (consultez la notice d'utilisation de votre vélo électrique).

Indépendamment du type de système de changement de vitesses, il est recommandé d'arrêter brièvement de pédaler pendant que vous changez de vitesse. Ceci facilite le changement de vitesse et réduit l'usure du mécanisme d'entraînement.

En choisissant la vitesse appropriée, vous pouvez – à effort égal – rouler plus vite et bénéficier d'une plus grande autonomie.

Suivez donc les recommandations de passage de vitesses qui vous sont données par les flèches **(g)** et **(h)**. S'il apparaît la flèche **(g)**, sélectionnez une vitesse supérieure pour réduire la fréquence de pédalage. S'il apparaît la flèche **(h)**, sélectionnez une vitesse inférieure pour augmenter la fréquence de pédalage.

Activation/désactivation de l'éclairage du vélo

Sur les vélos où l'éclairage est alimenté par le système eBike, les feux avant et arrière peuvent être allumés et éteints simultanément en actionnant la touche **(2)** de l'ordinateur de bord.

Vérifiez le fonctionnement de l'éclairage du vélo avant chaque départ.

Au niveau de l'affichage **(d)** apparaît pendant 1 s environ **<Feux allumés>** lors de l'allumage de l'éclairage et **<Feux éteints>** lors de l'extinction de l'éclairage. Quand l'éclairage est allumé, le symbole d'éclairage **(c)** s'affiche.

L'ordinateur de bord mémorise l'état de l'éclairage. À la remise en marche de l'ordinateur de bord, l'éclairage est automatiquement activé s'il était auparavant actif.

Le fait d'allumer ou d'éteindre l'éclairage du vélo n'a aucune incidence sur le rétro-éclairage de l'écran.

Activation/désactivation de l'assistance à la poussée

L'assistance à la poussée vous permet de pousser le vélo électrique en exerçant moins d'effort. La vitesse possible avec cette fonction dépend de la vitesse sélectionnée sur le vélo. Elle est au maximum de **3,7 mph**. Elle sera d'autant plus faible (à pleine puissance) que la vitesse sélectionnée est plus petite.

► **La fonction assistance à la poussée ne doit être utilisée que quand vous poussez le vélo électrique.** Les roues du vélo doivent être en contact avec le sol lorsque l'assistance à la poussée est utilisée, sans quoi vous risqueriez de vous blesser.

Pour **activer** l'assistance à la poussée, actionnez brièvement la touche **WALK** de votre ordinateur de bord. Après l'activation, appuyez dans les 3 secondes qui suivent sur la touche **+** et maintenez-la enfoncée. Le système d'entraînement eBike se met alors en marche.

Remarque : L'assistance à la poussée n'est pas activable dans le niveau d'assistance **OFF**.

L'assistance à la poussée **se désactive** dès que l'une des situations suivantes se produit :

- Vous relâchez la touche **+**,
- les roues du vélo électrique se bloquent (par ex. si vous actionnez les freins ou heurtez un obstacle),
- la vitesse devient supérieure à **3,7 mph**.

Le fonctionnement de l'assistance de poussée est tributaire de la législation en vigueur dans chaque pays et peut donc différer de ce qui a été indiqué ci-dessus. L'assistance à la poussée peut même être désactivée.

Affichage et configuration de l'ordinateur de bord

Affichages de vitesse et de distance

Le **compteur de vitesse (f)** affiche toujours la vitesse actuelle.

L'**affichage de fonctions** (combinaison de textes **(d)** et de valeurs numériques **(e)**) regroupe les fonctions suivantes :

- **<Heure>** : heure actuelle
- **<Vitesse maximale>** : vitesse maximale atteinte depuis la dernière remise à zéro
- **<Vitesse moyenne>** : vitesse moyenne atteinte depuis la dernière remise à zéro
- **<Temps de trajet>** : durée de conduite depuis la dernière remise à zéro
- **<Autonomie>** : autonomie prévisible compte tenu de la charge actuelle de la batterie (dans des conditions telles que niveau d'assistance, profil du parcours etc. restant constantes)
- **<Distance cumulée>** : kilométrage total parcouru avec le vélo électrique (pas réinitialisable)
- **<Distance parc.>** : kilométrage parcouru depuis la dernière remise à zéro

Pour **accéder à la fonction d'affichage**, appuyez sur la touche **i (1)** de l'ordinateur de bord ou sur la touche **i (10)** de l'unité de commande jusqu'à ce que la fonction souhaitée apparaisse.

Pour remettre à zéro **<Distance parc.>**, **<Temps de trajet>** et **<Vitesse moyenne>**, sélectionnez l'une de ces trois fonctions et actionnez la touche **RESET (6)**

jusqu'à ce que zéro apparaisse à l'affichage. Les valeurs numériques des deux autres fonctions sont alors elles aussi remises à zéro.

Pour remettre à zéro **<Vitesse maximale>**, sélectionnez cette fonction et actionnez la touche **RESET (6)** jusqu'à ce que zéro apparaisse à l'affichage.

Pour réinitialiser **<Autonomie>**, sélectionnez cette fonction et actionnez la touche **RESET (6)** jusqu'à ce que la valeur par défaut apparaisse à l'affichage.

Après retrait de l'ordinateur de bord de son support **(4)**, toutes les valeurs des fonctions restent en mémoire et peuvent continuer à être affichées.

Affichage/personnalisation de la configuration de base

Les réglages de base peuvent être affichés et modifiés que l'ordinateur de bord soit ou non inséré dans son support **(4)**. Certains réglages/paramètres ne sont affichables et modifiables qu'à l'aide d'un ordinateur de commande. Certaines options de menu peuvent manquer selon l'équipement de votre vélo électrique.

Pour parvenir dans le menu Configuration de base, actionnez simultanément la touche **RESET (6)** et la touche **i (1)** jusqu'à ce que **(d) <Configuration>** apparaisse à l'écran.

Pour **passer d'un réglage de base à un autre**, appuyez sur la touche **i (1)** de l'ordinateur de bord jus-

qu'à ce que le réglage concerné s'affiche. Si l'ordinateur de bord est en place dans son support **(4)**, vous pouvez aussi appuyer sur la touche **i (10)** de l'unité de commande.

Pour **modifier les réglages de base**, appuyez sur la touche Marche/Arrêt **(5)** située près de l'affichage – pour réduire ou faire défiler vers le bas, ou sur la touche éclairage **(2)** située près de l'affichage + pour augmenter ou faire défiler vers le haut. Si l'ordinateur de bord est inséré dans son support **(4)**, il est aussi possible d'utiliser les touches – **(11)** ou + **(12)** de l'unité de commande.

Pour quitter la fonction ou enregistrer un paramètre modifié, appuyez sur la touche **RESET (6)** pendant 3 s.

Les réglages de base suivants sont disponibles :

- **<- Heure +>** : permet de régler l'heure. Un appui prolongé des touches accélère le défilement de l'heure.
- **<- Circ. de la roue +>** : permet de modifier de ± 5 % la valeur pré-réglée par le fabricant. Cette option de menu ne s'affiche que si l'ordinateur de bord se trouve dans son support.
- **<- Français +>** : permet de changer la langue d'affichage. Vous avez le choix entre l'allemand, l'anglais, le français, l'espagnol, l'italien, le portugais, le suédois, le néerlandais et le danois.
- **<- Unité km/mi +>** : permet d'afficher la vitesse et la distance en kilomètres ou en miles.
- **<-Format de l'heure+>** : permet d'afficher l'heure au format 12 heures ou 24 heures.
- **<- Ind. ch. vit. oui+>/<- Ind. ch. vit. non+>** : permet d'activer / désactiver l'affichage « Recommandation de changement de vitesse ».
- **<Temps de fonctionn.>** : affichage du kilométrage total parcouru avec le vélo électrique (pas modifiable)
- **<Displ. vx.x.x.x>** : version du logiciel de l'écran.
- **<DU vx.x.x.x>** : version du logiciel de l'unité d'entraînement (Drive Unit). Cette option de menu ne s'affiche que si l'ordinateur de bord se trouve dans son support.
- **<DU SN xxxxxxxx/xxx>** : numéro de série de l'unité d'entraînement (Drive Unit). Cette option de menu ne s'affiche que si l'ordinateur de bord se trouve dans son support.
- **<DU PN xxxxxxxxxxx>** : désignation de type de l'unité d'entraînement (Drive Unit). Cette option de menu ne s'affiche que si l'ordinateur de bord se trouve dans son support et si l'unité d'entraînement dispose d'une désignation de type.
- **<Service MM/AAAA>** : cette option de menu s'affiche quand le fabricant de vélo a programmé une date de service après-vente fixe.
- **<Serv. xx km/mi>** : cette option de menu s'affiche quand le fabricant de vélo a programmé une date de service après-vente basée sur le kilométrage parcouru.
- **<Bat. vx.x.x.x>** : version du logiciel de la batterie. Cette option de menu ne s'affiche que si l'ordinateur de bord se trouve dans son support. En cas d'utilisation de 2 batteries, la version de chacune des batteries s'affiche successivement.
- **<Bat. PN xxxxxxxxxxx>** : désignation de type de la batterie du vélo électrique. Cette option de menu ne s'affiche que si l'ordinateur de bord se trouve dans son support et si la batterie dispose d'une désignation de type. En cas d'utilisation de 2 batteries, la version de chacune des batteries s'affiche successivement.
- **<Cha. vx.x.x.x>** : version de logiciel du chargeur avec lequel la batterie a été rechargée. Cette option de menu ne s'affiche que si le chargeur met à disposition la version de logiciel.
- Si le vélo électrique est doté d'un ABS, il apparaît également la version de logiciel, le numéro de série et la désignation de type de l'ABS.

Transport

- ▶ **Si vous devez transporter votre vélo électrique à l'extérieur de votre voiture, par exemple, sur une galerie de toit, retirez l'ordinateur de bord et la batterie afin d'éviter qu'ils soient endommagés.**
- ▶ **Retirez toujours l'accu du vélo avant de transporter le vélo sur un porte-vélos.** Le fait de ne pas retirer l'accu lorsque vous utilisez un porte-vélos peut entraîner des blessures graves ou mortelles. La batterie peut se détacher pendant le transport et provoquer un accident avec les véhicules environnants.
- ▶ **Utilisez toujours un porte-vélos compatible et approuvé lorsque vous transportez votre eBike. Le système d'entraînement Bosch représente un poids supplémentaire pour votre vélo.** Reportez-vous au manuel de votre porte-vélo pour vous assurer que votre eBike est compatible. L'excès de

poids sur un porte-vélos peut entraîner des blessures graves ou mortelles.

- ▶ **Utilisez des techniques de levage correctes car les vélos électriques sont généralement plus lourds que les vélos traditionnels.**

Expédiez les accus uniquement si leur boîtier n'est pas endommagé. Protégez les contacts et emballez l'accu de manière à ce qu'il ne puisse pas se déplacer dans l'emballage. Prévenez l'expéditeur qu'il s'agit d'un produit classé comme matière dangereuse. Veuillez également respecter les réglementations supplémentaires éventuellement en vigueur dans votre pays. Vérifiez toujours les réglementations départementales et nationales avant de tenter d'expédier votre batterie.

Pour toute question concernant le transport des batteries, adressez-vous à un vélociste agréé. Vous pouvez également commander un emballage de transport approprié auprès d'un commerçant spécialisé.

Maintenance/nettoyage

- ▶ **N'ouvrez aucun élément. L'entretien doit uniquement être effectué par un revendeur eBike Bosch autorisé.** Le fait de ne pas respecter l'avertissement ci-dessus peut entraîner des blessures graves ou mortelles. Reportez-vous au manuel de votre vélo ou au manuel de l'élément pour tous les éléments ne faisant pas partie du système d'entraînement Bosch.
- ▶ **Retirez toujours l'accu avant d'inspecter un vélo, de procéder à son entretien ou à sa réparation.** Le fait de ne pas retirer l'accu avant d'inspecter un vélo, de procéder à son entretien ou à sa réparation peut entraîner des blessures graves.
- ▶ **Si vous suspectez une défaillance, n'utilisez pas votre vélo.** Consultez votre revendeur eBike Bosch, seul un revendeur qualifié doit intervenir sur votre système d'entraînement Bosch. Tous les écrous, les boulons et les vis requièrent une force

de serrage correcte. Une force de serrage trop faible ne permet pas la fixation sécurisée des composants. Une force de serrage excessive risque au contraire de briser les filets, et d'étendre, de déformer ou de casser les éléments de fixation. D'une manière ou d'une autre, une force de serrage incorrecte peut entraîner une défaillance de l'élément, ce qui peut vous faire perdre le contrôle de votre vélo et vous faire tomber.

- ▶ **Ne peignez aucun élément du système d'entraînement Bosch car cela peut entraîner une défaillance prématurée de l'élément.**

Entretien du système eBike

Respectez les températures de fonctionnement et de stockage des composants du système d'assistance électrique. Protégez l'unité d'entraînement, l'ordinateur de bord et la batterie des températures extrêmes (par exemple d'une exposition intense aux rayons du

soleil en l'absence d'aération). Les composants (notamment la batterie) peuvent être endommagés lorsqu'ils sont exposés à des températures extrêmes.

Faites contrôler votre système eBike au moins une fois par an sur le plan technique (partie mécanique, version du logiciel système, etc.).

Pour le service après-vente ou les réparations sur votre vélo électrique, adressez-vous à un vélociste agréé.

Le concessionnaire de vélos peut en plus programmer un certain kilométrage et/ou intervalle de temps comme échéance d'entretien. Quand le prochain entretien est arrivé à échéance, l'ordinateur de bord vous en informe à chaque mise en marche.

Nettoyage

► **Ne plongez pas vos composants eBike dans l'eau et ne les lavez pas avec un pulvérisateur haute pression.** Votre unité d'entraînement Bosch est conçue pour être étanche à l'eau de pluie ou à un tuyau d'arrosage sans pression.

Maintenez tous les éléments de votre vélo électrique propres, surtout les contacts de l'accu et les supports de fixation. Ne plongez pas dans l'eau les éléments, y compris l'unité de l'entraînement et ne les nettoyez pas à l'aide d'un nettoyeur haute pression. Maintenez tous les éléments de votre vélo électrique propres, surtout les contacts de l'accu et les supports de fixation. Nettoyez-les soigneusement à l'aide d'un chiffon doux et humide (en utilisant uniquement du savon doux et de l'eau).

Service après-vente et conseil utilisateurs

Pour toutes les questions concernant le système eBike et ses éléments, adressez-vous à un vélociste agréé.

Vous trouverez les données de contact de vélocistes agréés sur le site internet www.bosch-ebike.com.

Si la batterie ne fonctionne plus, adressez-vous à un vélociste agréé.

Résolution des problèmes

Les éléments du système eBike sont contrôlés automatiquement en permanence. Si un défaut est détecté, le code de défaut correspondant s'affiche sur l'ordinateur de bord.

Certains défauts déclenchent la désactivation automatique de l'assistance électrique. Il est alors pos-

sible de continuer à rouler mais à la seule force des mollets. Faites contrôler votre vélo électrique avant de l'utiliser pour d'autres trajets.

► **Ne confiez les réparations qu'à un revendeur agréé.**

Code	Cause	Remède
410	Une ou plusieurs touches de l'ordinateur de bord sont bloquées.	Contrôlez si les touches sont coincées, par ex. suite à la pénétration de saletés. Le cas échéant, nettoyez les touches.
414	Problème de connexion de l'unité d'affichage	Faites contrôler les raccordements et connexions
418	Une ou plusieurs touches de l'unité de commande sont bloquées.	Contrôlez si les touches sont coincées, par ex. suite à la pénétration de saletés. Le cas échéant, nettoyez les touches.
419	Erreur de configuration	Redémarrez le système. Si le problème persiste, rendez-vous chez votre revendeur Bosch.
422	Problème de connexion de l'unité d'entraînement	Faites contrôler les raccordements et connexions
423	Problème de connexion de la batterie du vélo électrique	Faites contrôler les raccordements et connexions
424	Erreur de communication des composants entre eux	Faites contrôler les raccordements et connexions
426	Erreur de timeout interne	Redémarrez le système. Si le problème persiste, rendez-vous chez votre revendeur Bosch. Il n'est pas possible, en présence de ce défaut, d'aller dans le menu Configuration de base pour afficher ou modifier la circonférence de pneu.
430	Accu interne de l'ordinateur de bord vide (pas pour BUI350)	Rechargez l'ordinateur de bord (dans son support ou via la prise USB)
431	Erreur de version de logiciel	Redémarrez le système. Si le problème persiste, rendez-vous chez votre revendeur Bosch.
440	Défaut interne de l'unité d'entraînement	Redémarrez le système. Si le problème persiste, rendez-vous chez votre revendeur Bosch.
450	Erreur interne du logiciel	Redémarrez le système. Si le problème persiste, rendez-vous chez votre revendeur Bosch.

Code	Cause	Remède
460	Défaut sur la prise USB	Débranchez le câble de la prise USB de l'ordinateur de bord. Si le problème persiste, rendez-vous chez votre revendeur Bosch.
490	Défaut interne de l'ordinateur de bord	Faites vérifier l'ordinateur de bord
500	Défaut interne de l'unité d'entraînement	Redémarrez le système. Si le problème persiste, rendez-vous chez votre revendeur Bosch.
502	Dysfonctionnement de l'éclairage du vélo	Contrôlez l'éclairage et son câblage. Redémarrez le système. Si le problème persiste, rendez-vous chez votre revendeur Bosch.
503	Défaut du capteur de vitesse	Redémarrez le système. Si le problème persiste, rendez-vous chez votre revendeur Bosch.
504	Manipulation du signal de vitesse détectée.	Contrôlez la position de l'aimant de rayon, corrigez sa position si nécessaire. Vérifiez s'il n'y a pas eu manipulation (tuning). L'assistance est réduite.
510	Défaut interne du capteur	Redémarrez le système. Si le problème persiste, rendez-vous chez votre revendeur Bosch.
511	Défaut interne de l'unité d'entraînement	Redémarrez le système. Si le problème persiste, rendez-vous chez votre revendeur Bosch.
530	Dysfonctionnement de la batterie	Arrêtez le système eBike, retirez la batterie et remettez-la en place. Redémarrez le système. Si le problème persiste, rendez-vous chez votre revendeur Bosch.
531	Erreur de configuration	Redémarrez le système. Si le problème persiste, rendez-vous chez votre revendeur Bosch.
540	Défaut de température	Le vélo électrique se trouve en dehors de la plage de températures admissible. Arrêtez le système eBike et laissez la température de l'unité d'entraînement remonter ou redescendre jusque dans la plage de températures admissibles. Redémarrez le système. Si le problème persiste, rendez-vous chez votre revendeur Bosch.
550	Un consommateur électrique non autorisé a été détecté.	Retirez le consommateur électrique. Redémarrez le système. Si le problème persiste, rendez-vous chez votre revendeur Bosch.
580	Erreur de version de logiciel	Redémarrez le système. Si le problème persiste, rendez-vous chez votre revendeur Bosch.
591	Erreur d'authentification	Arrêtez le système eBike. Retirez la batterie et remettez-la en place. Redémarrez le système. Si le problème persiste, rendez-vous chez votre revendeur Bosch.

Code	Cause	Remède
592	Composant non compatible	Utilisez un écran compatible. Si le problème persiste, rendez-vous chez votre revendeur Bosch.
593	Erreur de configuration	Redémarrez le système. Si le problème persiste, rendez-vous chez votre revendeur Bosch.
595, 596	Erreur de communication	Contrôlez le câblage vers le moyeu et redémarrez le système. Si le problème persiste, rendez-vous chez votre revendeur Bosch.
602	Défaut interne de la batterie	Redémarrez le système. Si le problème persiste, rendez-vous chez votre revendeur Bosch.
603	Défaut interne de la batterie	Redémarrez le système. Si le problème persiste, rendez-vous chez votre revendeur Bosch.
605	Défaut de température de la batterie	La batterie se trouve en dehors de la plage de températures admissible. Arrêtez le système eBike et laissez la batterie revenir dans la plage de températures admissibles. Redémarrez le système. Si le problème persiste, rendez-vous chez votre revendeur Bosch.
606	Défaut externe de la batterie	Vérifiez le câblage. Redémarrez le système. Si le problème persiste, rendez-vous chez votre revendeur Bosch.
610	Défaut de tension de la batterie	Redémarrez le système. Si le problème persiste, rendez-vous chez votre revendeur Bosch.
620	Dysfonctionnement du chargeur	Remplacez le chargeur. Rendez-vous chez votre revendeur Bosch.
640	Défaut interne de la batterie	Redémarrez le système. Si le problème persiste, rendez-vous chez votre revendeur Bosch.
655	Défaut multiple de la batterie	Arrêtez le système eBike. Retirez la batterie et remettez-la en place. Redémarrez le système. Si le problème persiste, rendez-vous chez votre revendeur Bosch.
656	Erreur de version de logiciel	Rendez-vous chez votre revendeur Bosch pour qu'il effectue une mise à jour du logiciel.
7xx	Défaut de composants d'autres fabricants	Consultez la notice d'utilisation du fabricant du composant.
Pas d'affichage	Défaut interne de l'ordinateur de bord	Redémarrez le système eBike en l'éteignant et en le rallumant.

Programme de recyclage des accus



L'unité d'entraînement, l'ordinateur de bord et son unité de commande, la batterie, le capteur de vitesse, les accessoires et l'emballage doivent être triés afin d'être recyclés de façon respectueuse de l'environnement.

Ne jetez pas les systèmes eBike et leurs éléments constitutifs dans les ordures ménagères !



Pour recycler votre batterie Bosch, appelez le 1.800.822.8837.

Índice

Introducción	2
Acerca de las advertencias	2
Advertencias generales	2
Utilización de sus Instrucciones de servicio	2
Operación de su ordenador de a bordo Bosch	4
Indicaciones de seguridad	4
Descripción del producto y especificaciones	6
Montaje.....	7
Operación	8
Indicaciones y configuración del ordenador de a bordo	12
Transporte	13
Mantenimiento/Limpieza	14
Resolución de problemas.....	16
Programa de reciclaje de baterías	19

Introducción

Acerca de las advertencias

Este manual contiene muchos **PELIGROS**, **ADVERTENCIAS**, y **PRECAUCIONES** sobre las consecuencias de una falta de uso, montaje, mantenimiento, almacenamiento, inspección y eliminación de una eBike equipada por Bosch de modo seguro.

- La combinación del símbolo de alerta de seguridad y la palabra **PELIGRO** indica una situación peligrosa que, si no se evita, ocasionará la muerte o lesiones graves.

- La combinación del símbolo de alerta de seguridad y la palabra **ADVERTENCIA** indica una situación peligrosa que, si no se evita, podría provocar la muerte o lesiones graves.
- La combinación del símbolo de alerta de seguridad y la palabra **PRECAUCIÓN** indica una situación peligrosa que, si no se evita, podría ocasionar lesiones leves o moderadas.

Advertencias generales



Lea íntegramente todas las indicaciones de seguridad e instrucciones. No seguir las advertencias e instrucciones siguientes puede provocar la muerte o lesiones graves.

Guarde todas las indicaciones de seguridad e instrucciones para posibles consultas futuras.

El término **batería** empleado en este manual del usuario se refiere a todas las baterías para eBike originales de Bosch.

▲ ADVERTENCIA

- ▶ **Este manual contiene información importante de seguridad, rendimiento y mantenimiento.** Léalo antes de usar su nueva bicicleta y guárdelo a modo de referencia. Puede encontrar el manual también en línea en www.bosch-ebike.com.
- ▶ **Este manual está previsto para su lectura junto con el manual de usuario aparte que venía con su bicicleta.** Antes de usar la bici por primera vez, asegúrese de leer toda la documentación facilitada, incluidas las etiquetas que lleva el producto.

- ▶ **Lea TODOS los manuales incluidos antes de montar en la bicicleta por primera vez.** Su sistema de accionamiento de Bosch incluye manuales y documentación adicionales proporcionados por el fabricante de la bicicleta y de otros componentes. No leer o desconocer la información de seguridad puede provocar la muerte o lesiones graves.
- ▶ **Por su propia SEGURIDAD, sea responsable.** Si tiene dudas o no entiende algo, consúltelo con su distribuidor o con el fabricante de la bicicleta o del componente.
- ▶ **Algunos accesorios de la eBike pueden suponer un peligro de atragantamiento para los niños pequeños.** Mantenga esos accesorios alejados de los niños.

▲ PRECAUCIÓN

- ▶ **El sistema de accionamiento de Bosch incrementa el peso de su bicicleta, que puede que no esté acostumbrado a levantar.** Evite las lesiones; utilice técnicas de elevación adecuadas.

Utilización de sus Instrucciones de servicio

Además de las funciones aquí representadas, puede ser que se introduzcan en cualquier momento modifi-

caciones de software para la eliminación de errores y modificaciones de funciones.

Gráficos

La bicicleta que se muestra en este manual puede diferir ligeramente de la suya; no obstante, las similitudes son suficientes para ayudarle a entender nuestras instrucciones.

Los lados DERECHO e IZQUIERDO se indican mirando en el sentido que la bicicleta tendrá al circular hacia delante. Si ve una línea discontinua (-----), el elemento al que se refiere está oculto a la vista.

Operación de su ordenador de a bordo Bosch

Indicaciones de seguridad



Lea íntegramente todas las indicaciones de seguridad e instrucciones. Las faltas de observación de las indicaciones de seguridad y de las instrucciones pueden causar descargas eléctricas, incendios y/o lesiones graves.

Guarde todas las indicaciones de seguridad e instrucciones para posibles consultas futuras.

El término **batería** empleado en este manual del usuario se refiere a todas las baterías para eBike originales de Bosch.

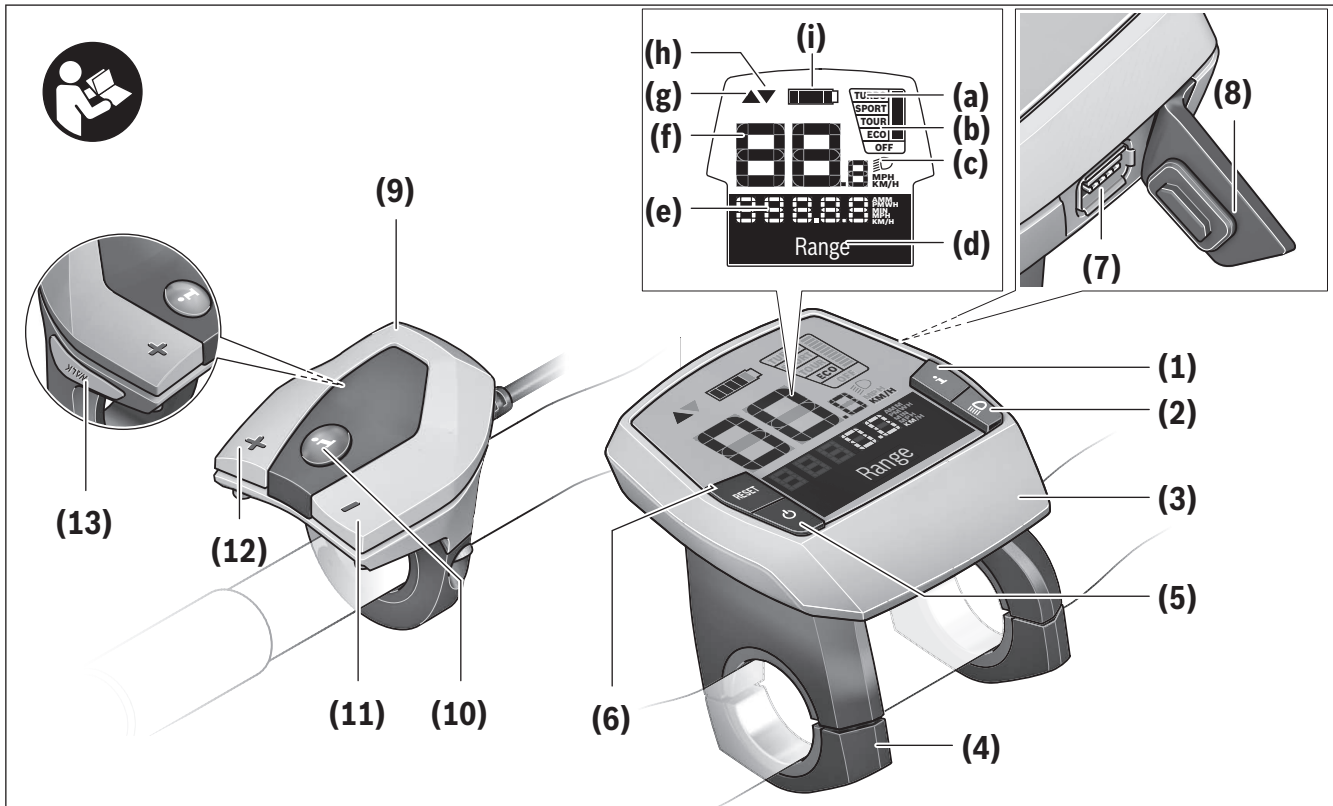
- ▶ **Sólo cargue el ordenador de a bordo con una fuente de alimentación USB (5 V, 500 mA máx.) y un cable USB con una capacidad de al menos 500 mA.** El uso de una fuente de alimentación USB o de un cable USB no adecuado para la aplicación puede provocar un incendio, una explosión o lesiones personales.
 - ▶ **Cargue el ordenador de a bordo a temperaturas superiores a +32 grados F (0 grados C) e inferiores a +104 grados F (40 grados C). Guarde el ordenador de a bordo en lugares donde la temperatura no exceda los 104 grados F (40 grados C).** Esto es importante para prevenir serios daños a la batería del ordenador de a bordo.
 - ▶ **No exponga el ordenador de a bordo al fuego o a una temperatura excesiva.** La exposición al fuego o a temperaturas superiores a los 212 °F (100 °C) puede causar una explosión.
 - ▶ **No recargue el ordenador de a bordo (a través del puerto USB) en un entorno húmedo o mojado.** La penetración de agua en el ordenador de a bordo puede provocar una descarga eléctrica o un incendio.
 - ▶ **Nunca sumerja el ordenador de a bordo en ningún tipo de fluido ni permita que penetre en él.**
- Los fluidos corrosivos o conductores (como el agua de mar o los productos químicos industriales o que contienen lejía, etc.) pueden causar un cortocircuito que puede provocar incendios, lesiones personales y daños materiales.
- ▶ **La fuga de la batería puede ocurrir bajo condiciones extremas de uso o temperatura. Evite el contacto con la piel y los ojos.** El líquido de la batería es cáustico y podría causar quemaduras químicas a los tejidos. Si el líquido entra en contacto con la piel, debe lavarse rápidamente con agua y jabón. Si el líquido entra en contacto con los ojos, lávelos inmediatamente con agua durante un mínimo de 15 minutos y busque atención médica.
 - ▶ **Colocar el ordenador de a bordo en superficies planas no inflamables y lejos de materiales inflamables al recargar el ordenador de a bordo utilizando una fuente de alimentación externa USB.** Las alfombras y otras superficies aislantes del calor bloquean la correcta circulación del aire, lo que puede causar un sobrecalentamiento del ordenador de a bordo. Si se observa humo o derretimiento del ordenador de a bordo, desenchufe inmediatamente la fuente de alimentación externa USB y no utilice el ordenador de a bordo. Contacte inmediatamente el servicio de atención al cliente.
 - ▶ **Antes de cada uso, compruebe el ordenador de a bordo, el cable y el enchufe.** Si se detectan daños, no utilice el ordenador de a bordo. Daños en el ordenador de a bordo, los cables de carga y los enchufes aumentan el riesgo de incendio, explosión y lesiones personales.
 - ▶ **No utilice el ordenador de a bordo como asidero.** Si se levanta la eBike por el ordenador de a bordo, este puede dañarse irreparablemente.
 - ▶ **No desarme el ordenador de a bordo.** No hay ninguna pieza utilizable por el usuario en el interior. El

reensamblaje incorrecto o los daños pueden provocar un incendio o una explosión.

- ▶ **No permita que las indicaciones del ordenador de a bordo le distraigan.** Si no centra su atención exclusivamente en el tráfico, se arriesga a verse implicado en un accidente. Si desea introducir en el ordenador de a bordo datos que van más allá del cambio de nivel de asistencia, deténgase para efectuar dichas entradas.
- ▶ **Lea y siga todas las indicaciones de seguridad e instrucciones de todos los manuales de uso del sistema eBike, así como las instrucciones de uso de su eBike.**

Descripción del producto y especificaciones

Características del producto



- (1) Tecla de función de indicación **i**
 - (2) Tecla de iluminación de la bicicleta
 - (3) Ordenador de a bordo
 - (4) Soporte del ordenador de a bordo
 - (5) Tecla de conexión/desconexión del ordenador de a bordo
 - (6) Tecla de reposición **RESET**
 - (7) Puerto USB
 - (8) Capuchón del puerto USB
 - (9) Cuadro de mandos
 - (10) Tecla de función de indicación **i** en la unidad de mando
 - (11) Tecla para reducir la asistencia/hojear hacia abajo **-**
 - (12) Tecla para aumentar la asistencia/hojear hacia arriba **+**
 - (13) Tecla de asistencia de empuje **WALK**
 - (14) Bloqueo del ordenador de a bordo
 - (15) Tornillo de bloqueo del ordenador de a bordo
- Cable de carga USB (micro A – micro B)^{A)}
- A) no representar, adquirible como accesorio
- Indicadores del ordenador de a bordo**
- (a) Indicador de asistencia de la unidad motriz
 - (b) Indicador de nivel de asistencia
 - (c) Indicador de iluminación
 - (d) Indicador de textos
 - (e) Indicador numérico
 - (f) Velocímetro

- (g) Recomendación de cambio de marcha: una marcha superior
- (h) Recomendación de cambio de marcha: una marcha inferior
- (i) Indicador del estado de carga del acumulador

Datos técnicos

Ordenador de a bordo		Intuvia
Código de producto		BUI255
Corriente de carga USB, máx.	mA	500
Tensión de carga en puerto USB	V	5
Cable de carga USB ^{A)}		1 270 016 360

Ordenador de a bordo		Intuvia
Temperatura de servicio	°F	+23 ... +104
Temperatura de almacenamiento	°F	+50 ... +104
Temperatura de carga	°F	+32 ... +104
Acumulador de iones de litio interno	V mAh	3,7 230
Protección ^{B)}		IP54
Peso, aprox.	lb	0,30

A) no contenido en el volumen de suministro

B) con cubierta de USB cerrada

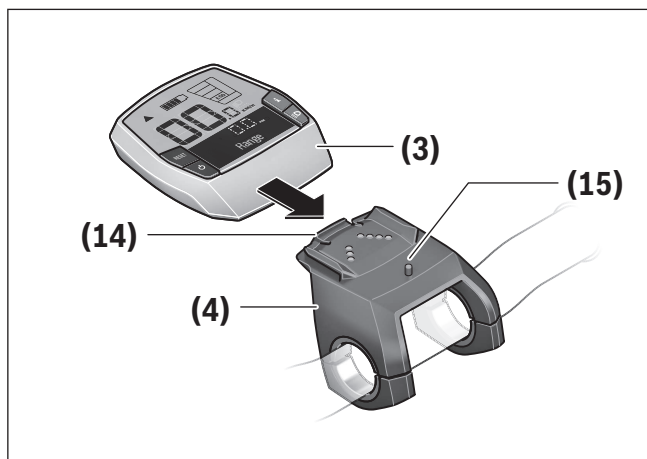
El sistema eBike de Bosch utiliza FreeRTOS (ver <http://www.freertos.org>).

Montaje

Montaje y desmontaje del acumulador

Para colocar y retirar el acumulador de la eBike, lea y observe las instrucciones de servicio del acumulador.

Montaje y desmontaje del ordenador de a bordo



(3) Ordenador de a bordo

(4) Soporte del ordenador de a bordo

(14) Bloqueo del ordenador de a bordo

(15) Tornillo de bloqueo del ordenador de a bordo

Para **insertar** el ordenador de a bordo (3), deslícelo hacia delante en el soporte (4).

Para extraer el ordenador de a bordo (3), pulse el bloqueo (14) y sáquelo del soporte (4) empujándolo hacia delante.

► **Retire el ordenador de a bordo cuando estacione la eBike.**

El ordenador de a bordo puede asegurarse en el soporte para impedir que pueda extraerse. Desmonte además el soporte (4) del manillar. Coloque el ordenador de a bordo en el soporte. Enrosque el tornillo de bloqueo (15) (rosca M3, 8 mm de longitud) desde abajo en la rosca prevista para tal fin del soporte. Vuelva a montar el soporte en el manillar.

Indicación: El tornillo de bloqueo no es una protección antirrobo.

Operación

Requisitos

El sistema eBike solamente puede activarse cuando se cumplen las siguientes condiciones:

- Se ha colocado una batería con suficiente carga (véanse las instrucciones de uso de la batería).
- El ordenador de a bordo está colocado correctamente en el soporte (ver "Montaje y desmontaje del ordenador de a bordo", Página Español – 7).
- El sensor de velocidad está conectado correctamente (véanse las instrucciones de uso del motor).

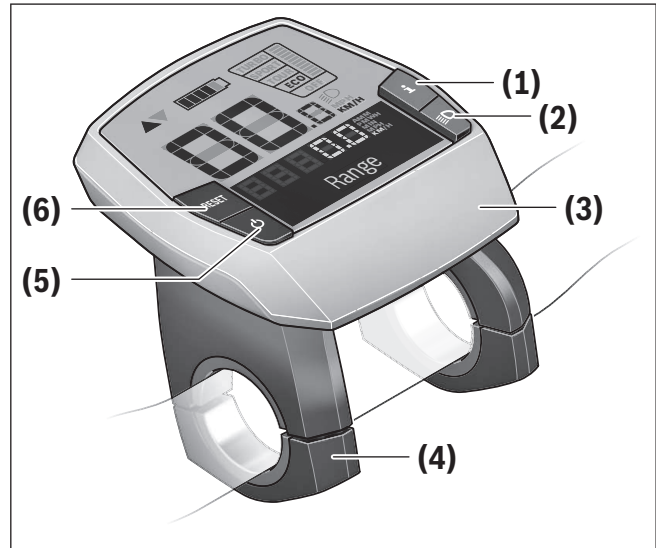
Conexión/desconexión del sistema eBike

Usted tiene las siguientes opciones para **conectar** el sistema eBike:

- Si el ordenador de a bordo ya está conectado al colocarlo en el soporte, el sistema eBike se activa automáticamente.
- Una vez colocados el ordenador de a bordo y el acumulador de la eBike, pulse una vez brevemente la tecla de conexión/desconexión del ordenador de a bordo.
- Con el ordenador de a bordo colocado, pulse la tecla de conexión/desconexión del acumulador de la eBike (son posibles soluciones específicas del fabricante de bicicletas en las cuales no hay acceso a la tecla de conexión/desconexión del acumulador; ver instrucciones de servicio del acumulador).

El motor se activa al empezar a pedalear (excepto en la función de asistencia para empujar caminando o en el nivel de asistencia **OFF**). La potencia del motor depende del nivel de asistencia ajustado en el ordenador de a bordo.

En cuanto deje de pedalear en el funcionamiento normal o en cuanto alcance una velocidad de **20/28 mph**, se desconecta la asistencia del accionamiento de la eBike. El accionamiento se activa de nuevo automáticamente en cuanto padealee y su velocidad esté por debajo de **20/28 mph**.



Usted tiene las siguientes opciones para **desconectar** el sistema eBike:

- Pulse la tecla de conexión/desconexión del ordenador de a bordo.
 - Desconecte el acumulador de la eBike en su tecla de conexión/desconexión (puede haber soluciones de fabricantes de bicicletas que no tengan acceso a la tecla de conexión/desconexión de la batería; véase el manual de instrucciones del fabricante de la bicicleta).
 - Retire el ordenador de a bordo del soporte.
- Si no hay una demanda de potencia del accionamiento de la eBike durante aprox. 10 min (p. ej. porque la eBike está parada) y si no se pulsa ninguna tecla del ordenador de a bordo o de la unidad de mando de la eBike, el sistema eBike y así también el acumulador se desconectan automáticamente para ahorrar energía.

eShift (opcional)

eShift es la integración de los sistemas de conexión/desconexión electrónicos en el sistema de la eBike. Los componentes eShift están conectados eléctricamente de fábrica con la unidad motriz. El manejo de los sistemas de conexión/desconexión electrónicos

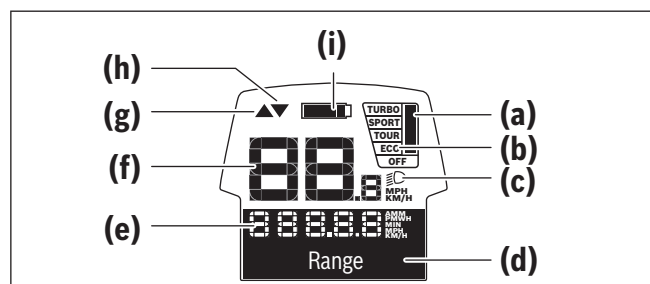
se describe en unas instrucciones de servicio separadas.

Suministro de corriente del ordenador de a bordo

Si el ordenador de a bordo está colocado en el soporte **(4)**, si se ha colocado un acumulador con suficiente carga en la eBike y si se ha conectado el sistema eBike, entonces el ordenador de a bordo se abastece con la energía a través del acumulador de la eBike. Si se extrae el ordenador de a bordo del soporte **(4)**, la alimentación de energía procede de un acumulador interno. Si el acumulador interno está muy descargado al conectar el ordenador de a bordo, aparece durante 3 s **<Conectar a bicicleta>** en el indicador de textos **(d)**. Después, se desconecta de nuevo el ordenador de a bordo.

Para cargar el acumulador interno coloque de nuevo el ordenador de a bordo en el soporte **(4)** (cuando esté colocado un acumulador en la eBike). Conecte el acumulador de la eBike mediante su tecla de conexión/desconexión (véanse las instrucciones de servicio del acumulador).

También puede cargar el ordenador de a bordo mediante la conexión USB. Abra para ello la caperuza protectora **(8)**. Conecte la hembrilla USB **(7)** del ordenador de a bordo, a través de un cable micro-USB, con un cargador USB corriente en el comercio o con la conexión USB de un ordenador (tensión de carga 5 V; corriente de carga máx. 500 mA). En el indicador de texto **(d)** del ordenador de a bordo aparece **<USB conectado>**.



Alimentación de aparatos externos vía puerto USB

Con el puerto USB se pueden poner en funcionamiento o cargar la mayoría de los aparatos, cuya alimentación de energía es posible realizar a través de USB (p. ej. diversos teléfonos móviles).

La condición previa para la carga es que estén colocados el ordenador de a bordo y un acumulador con suficiente carga en la eBike.

Abra la caperuza protectora **(8)** del puerto USB del ordenador de a bordo. Conecte el puerto USB del dispositivo externo al conector USB **(7)** del ordenador de a bordo con un cable de carga USB micro A/micro B (disponible en su distribuidor de eBikes Bosch).

Después de desconectar el consumidor, hay que volver a tapar minuciosamente el puerto USB con la caperuza protectora **(8)**.

Una conexión USB no es una conexión por enchufe impermeable. En recorridos con lluvia, no debe haber ningún dispositivo externo conectado y el puerto USB debe estar completamente cerrado con la tapa de protección (8).

Atención: Los consumidores conectados pueden afectar la autonomía restante de la eBike.

Conectar/desconectar el ordenador de a bordo

Para **conectar** el ordenador de a bordo pulse brevemente la tecla de conexión/desconexión **(5)**. El ordenador de a bordo también se puede conectar sin estar colocado en el soporte (si el acumulador interno tiene suficiente carga).

Para **desconectar** el ordenador de a bordo pulse la tecla de conexión/desconexión **(5)**.

Cuando el ordenador de a bordo no está colocado en el soporte, se desconecta automáticamente para ahorrar energía, si no se pulsa una tecla durante 1 min.

► **Si no va a utilizar la eBike durante varias semanas, retire el ordenador de a bordo del soporte.**


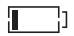
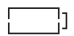
Guarde el ordenador de a bordo en un ambiente se-

co a temperatura ambiente. Cargue el acumulador del ordenador de a bordo con regularidad (al menos cada 3 meses).

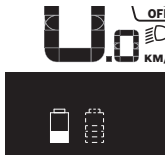
Indicador del estado de carga del acumulador

El indicador del estado de carga del acumulador **(i)** muestra el estado de carga del acumulador de la eBike y no el del acumulador interno del ordenador de a bordo. También se puede consultar el estado de carga del acumulador de la eBike en los LEDs que hay en el propio acumulador.

En el indicador **(i)**, cada barra en el símbolo de acumulador corresponde a aproximadamente un 20 % de capacidad:

-  La batería de la eBike está completamente cargada.
-  La batería de la eBike debería recargarse.
-  Los LEDs del indicador del nivel de carga de la batería se apagan. Se ha consumido la capacidad de refuerzo del accionamiento y este se desconecta suavemente. La capacidad restante se reserva para la iluminación y el ordenador de a bordo; el indicador parpadea. El nivel de la batería de la eBike aún alcanza para aprox. 2 horas de iluminación de la bicicleta. El resto de consumidores (p. ej. cambio de marchas automático, carga de dispositivos externos en la conexión USB) no se han tomado en cuenta.

Si se extrae el ordenador de a bordo del soporte **(4)**, queda memorizado el estado de carga del acumulador mostrado por última vez. Si la eBike se opera con dos acumuladores, el indicador del estado de carga del acumulador **(i)** muestra el nivel de carga de los dos acumuladores.



Si en una eBike provista de dos baterías se cargan ambas en la bicicleta, en la pantalla aparecerá el progreso de carga de las dos baterías (en la

ilustración se está cargando la batería izquierda). El indicador intermitente de la batería le indica cuál de las dos baterías se está cargando en este momento.

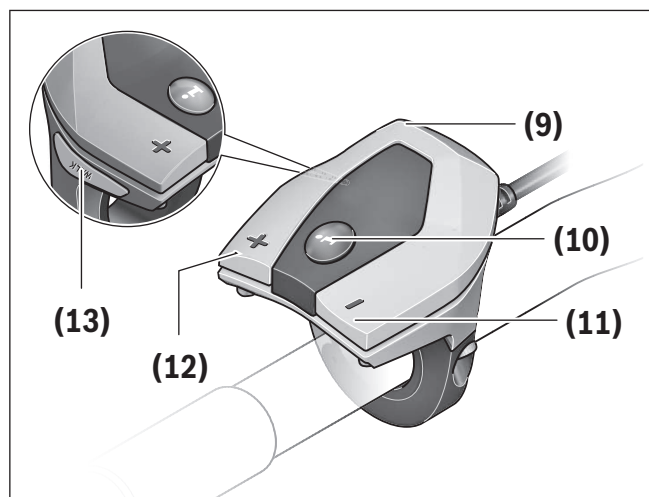
Ajuste del modo de asistencia

En la unidad de mando **(9)** puede ajustar la fuerza con la que le ayuda el accionamiento de la eBike al pedalear. Este nivel de asistencia se puede modificar en cualquier momento, también durante la marcha.

Indicación: En algunas ejecuciones es posible que el nivel de asistencia esté preajustado y no se pueda cambiar. También es posible que no exista una diversidad de modos de asistencia tan amplia como la aquí indicada.

A lo sumo están disponibles los siguientes modos de asistencia:

- **OFF:** La asistencia del motor está apagada, la eBike se puede mover como una bicicleta normal pedaleando. La asistencia de empuje no se puede activar en este nivel de asistencia.
- **ECO:** asistencia efectiva con la máxima eficiencia, para una autonomía máxima
- **TOUR:** asistencia uniforme, para viajes con gran autonomía
- **SPORT/eMTB:**
 - SPORT:** asistencia potente para la conducción deportiva en rutas montañosas, así como para el tráfico urbano
 - eMTB:** asistencia óptima en todo terreno, arranque deportivo, dinámica mejorada, máximo rendimiento (**eMTB** disponible únicamente en combinación con las unidades motrices BDU250P CX, BDU365, BDU450 CX y BDU480 CX. También puede requerirse una actualización del sistema.)
- **TURBO:** asistencia máxima, incluso al pedalear velozmente, para una conducción deportiva



Para **aumentar** el nivel de refuerzo, pulse la tecla **+** **(12)** en la unidad de mando reiteradamente hasta que aparezca el nivel de refuerzo deseado en la pantalla **(b)**, para **reducirlo**, pulse la tecla **-** **(11)**.

La potencia de motor solicitada aparece en el indicador **(a)**. La potencia máxima del motor depende del nivel de asistencia seleccionado.

Si se extrae el ordenador de a bordo del soporte **(4)**, queda memorizado el nivel de asistencia mostrado por última vez, el indicador **(a)** de la potencia del motor se queda vacío.

Funcionamiento combinado del sistema eBike con el mando del cambio

También con el accionamiento de la eBike, el cambio deberá utilizarse igual que en una bicicleta convencional (consulte al respecto las instrucciones de servicio de su eBike).

Independientemente del tipo de cambio empleado es recomendable dejar de pedalear brevemente antes de efectuar un cambio de marcha. Ello no sólo facilita el cambio de marcha, sino que también reduce el desgaste del mecanismo de accionamiento.

Seleccionando el cambio de marcha correcto Ud. puede aumentar la velocidad y el alcance aplicando la misma fuerza muscular.

Por ello, siga las recomendaciones de cambio de marcha que aparecerán en los indicadores **(g)** y **(h)** de su

pantalla. Si se muestra en el indicador **(g)**, debe cambiar a una marcha superior con menor frecuencia de pedaleo. Si se muestra en el indicador **(h)**, debe elegir una marcha inferior con mayor frecuencia de pedaleo.

Conectar/desconectar la iluminación de la bicicleta

En el modelo en el que la luz de marcha se alimenta mediante el sistema eBike, las luces, delantera y trasera, se pueden conectar y desconectar simultáneamente mediante el ordenador de a bordo con la tecla de la iluminación de la bicicleta **(2)**.

Compruebe siempre el correcto funcionamiento de las luces de la bicicleta antes de cada viaje.

Al conectar la iluminación aparece **<Luz encendida>** y al desconectar la iluminación **<Luz apagada>** aparece durante aprox. 1 s en el indicador de textos **(d)**. Mientras la luz está conectada se muestra el símbolo de la iluminación **(c)**.

El ordenador de a bordo memoriza el estado de la luz y activa respectivamente el estado memorizado, si es necesario, la luz tras un nuevo arranque.

El hecho de conectar o desconectar la iluminación de la bicicleta no tiene ningún efecto en la iluminación de fondo de la pantalla.

Conexión/desconexión de la Ayuda para empuje

La asistencia de empuje puede facilitarle el empuje de la eBike. La velocidad en esta función depende de la marcha acoplada y puede alcanzar como máximo **3,7 mph**. Cuanto más pequeña sea la marcha elegida, tanto menor es la velocidad lograda en la función de ayuda para empuje (a plena potencia).

► **La función de asistencia de empuje se debe usar exclusivamente al empujar la eBike.** Si las ruedas de la eBike no están en contacto con el suelo cuando se usa la asistencia de empuje, existe riesgo de lesiones.

Para **activar** la asistencia de empuje caminando, pulse brevemente la tecla **WALK** de su ordenador de a

bordo. Tras la activación, pulse la tecla **+** antes de que pasen 3 segundos y manténgala pulsada. Se conecta el accionamiento de la eBike.

Indicación: La asistencia de empuje no se puede activar en el nivel de asistencia **OFF**.

La asistencia para empujar caminando se **desconecta** en cualquiera de los siguientes casos:

- Al soltar la tecla **+**,

- al bloquearse las ruedas de la eBike (p.ej. debido a una frenada o un choque con un obstáculo);
- al superar la velocidad los **3,7 mph**.

El funcionamiento de la asistencia está sujeto a las disposiciones específicas del país y, por consiguiente, puede diferir de la descripción mencionada anteriormente o estar desactivada.

Indicaciones y configuración del ordenador de a bordo

Indicadores de velocidad y distancia

En el **indicador del tacómetro (f)** siempre se muestra la velocidad actual.

En el **indicador de funcionamiento** – combinación de indicación de texto (**d**) e indicación de valores (**e**) – se pueden seleccionar las siguientes funciones:

- **<Hora>**: hora actual
- **<Velocidad máxima>**: velocidad máxima alcanzada desde la última reposición
- **<Velocidad media>**: velocidad media alcanzada desde la última reposición
- **<Tiempo de marcha>**: tiempo de marcha desde la última reposición
- **<Autonomía restante>**: autonomía esperada de la carga disponible del acumulador (en condiciones constantes, como nivel de asistencia, perfil de ruta, etc.)
- **<Distancia total>**: Indicación de la distancia total recorrida con la eBike (no puede restablecerse)
- **<Distancia>**: distancia recorrida desde la última reposición

Para **cambiar a la función de indicación** pulse repetidamente la tecla **i (1)** del ordenador de a bordo o la tecla **i (10)** de la unidad de mando hasta que se muestre la función deseada.

Para la reposición de **<Distancia>**, **<Tiempo de marcha>** y **<Velocidad media>**, cambie a una de estas tres funciones y presione luego la tecla **RESET (6)**, hasta que la indicación se configure a cero. Esto también repone los valores de las otras dos funciones.

Para la reposición de **<Velocidad máxima>**, cambie a esta función y presione luego la tecla **RESET (6)**, hasta que la indicación se configure a cero.

Para la reposición de **<Autonomía restante>**, cambie a esta función y presione luego la tecla **RESET (6)**, hasta que la indicación se configure a cero.

Si el ordenador de a bordo se extrae del soporte (**4**), siguen almacenados todos los valores de las funciones y se pueden seguir mostrando.

Visualización/adaptación de los ajustes básicos

Las indicaciones y modificaciones de los ajustes básicos se pueden realizar independientemente de si el ordenador de a bordo está colocado o no en el soporte (**4**). Algunos ajustes son visibles y modificables solamente con el ordenador de mando colocado. Dependiente del equipamiento de su eBike, pueden faltar algunos elementos del menú.

Para llegar hasta el menú de ajustes básicos, mantenga pulsadas al mismo tiempo las teclas **RESET (6)** y la tecla **i (1)** hasta que en el indicador de texto aparezca (**d**) **<Configuración>**.

Para **cambiar entre los ajustes básicos**, pulse repetidamente la tecla **i (1)** del ordenador de a bordo, hasta que se muestre el ajuste básico deseado. Si el ordenador de a bordo está colocado en el soporte (**4**), también podrá pulsar la tecla **i (10)** de la unidad de mando.

Para **cambiar los ajustes básicos**, pulse la tecla de conexión/desconexión (**5**) al lado del indicador – pa-

ra disminuir o desplazarse hacia abajo; o para aumentar o desplazarse hacia arriba, pulse la tecla de iluminación **(2)** al lado del indicador **+**. Si el ordenador de a bordo está colocado en el soporte **(4)**, también es posible realizar la modificación con las teclas **- (11)** y **+(12)** en la unidad de mando.

Para salir de la función y guardar las modificaciones de la configuración, pulse la tecla **RESET (6)** durante 3 s.

Puede elegir entre los siguientes ajustes básicos:

- **<- Hora +>**: Puede configurar la hora actual. La presión prolongada de las teclas de ajuste acelera el cambio del tiempo.
- **<- Circunf. de rueda +>**: Permite modificar el valor preajustado por el fabricante en un $\pm 5\%$. Esta opción de menú solamente se muestra, cuando el ordenador de a bordo está colocado en el soporte.
- **<- Español +>**: Puede modificar el idioma del indicador de textos. Se puede escoger entre alemán, inglés, francés, español, italiano, portugués, sueco, holandés y danés.
- **<- Unidad km/mi +>**: Puede dejar mostrar la velocidad y la distancia en kilómetros o millas.
- **<- Formato de hora +>**: Puede visualizar la hora en formato de 12 o 24 horas.
- **<- Recom. Cambio con+>/<- Recom. Cambio des+>**: Puede conectar o desconectar el indicador de una recomendación de cambio de marcha.
- **<Total horas funcion.>**: Indicación del tiempo de conducción total con la eBike (no se puede cambiar)
- **<Displ. vx.x.x.x>**: Ésta es la versión de software de la pantalla (display).
- **<DU vx.x.x.x>**: Ésta es la versión de software de la unidad motriz. Esta opción de menú solamente se muestra, cuando el ordenador de a bordo está colocado en el soporte.
- **<DU SN xxxxxxxx/xxx>**: Éste es el número de serie de la unidad motriz. Esta opción de menú solamente se muestra, cuando el ordenador de a bordo está colocado en el soporte.
- **<DU PN xxxxxxxxxxx>**: Éste es el número de tipo de pieza de la unidad motriz. Esta opción de menú solamente se muestra, cuando el ordenador de a bordo está colocado en el soporte y la unidad motriz pone a disposición un número de tipo de pieza.
- **<Asist. MM/YYYY>**: Esta opción de menú se muestra, si el fabricante de bicicletas ha establecido una fecha de servicio fija.
- **<Asist. xx km/mi>**: Esta opción de menú se muestra, si tras alcanzar un determinado recorrido el fabricante de bicicletas ha establecido una fecha de servicio fija.
- **<Bat. vx.x.x.x>**: Ésta es la versión de software del acumulador. Esta opción de menú solamente se muestra, cuando el ordenador de a bordo está colocado en el soporte. Si se usan 2 acumuladores, las versiones de software de ambos acumuladores se indican una después de la otra.
- **<Bat. PN xxxxxxxxxxx>**: Ésta es el número de tipo de pieza del acumulador de la eBike. Esta opción de menú solamente se muestra, cuando el ordenador de a bordo está colocado en el soporte y el acumulador de la eBike pone a disposición un número de tipo de pieza. Si se usan 2 acumuladores, las versiones de software de ambos acumuladores se indican una después de la otra.
- **<Cha. vx.x.x.x>**: Ésta es la versión de software del cargador, con el cual se ha cargado el acumulador de la eBike. Esto solamente se muestra, cuando el cargador pone a disposición la versión de software.
- Si una eBike está equipada con ABS, también se mostrarán la versión del software, el número de serie y el número de tipo de pieza del ABS.

Transporte

► **Si lleva su eBike en el exterior del automóvil, por ejemplo en un portaequipajes externo al vehículo,**

lo, retire el ordenador de a bordo y la batería de la eBike para evitar daños.

- ▶ **Extraiga siempre la batería de la bicicleta antes de transportarla en un portabicicletas sobre un vehículo.** No extraer la batería cuando se utiliza un portabicicletas sobre un vehículo puede causar la muerte o lesiones graves. La batería podría soltarse durante el transporte y causar un accidente a otros vehículos.
- ▶ **Utilice en todo caso un portabicicletas homologado y compatible cuando transporte su eBike. El sistema de accionamiento de Bosch incrementa el peso de la bicicleta.** Consulte el manual de su portabicicletas para asegurarse de que la eBike es compatible. Sobrecargar un portabicicletas puede causar la muerte o lesiones graves.

- ▶ **Utilice técnicas de elevación adecuadas, ya que las bicicletas eléctricas suelen ser más pesadas que las normales.**

Transporte únicamente baterías cuya carcasa esté intacta. Pegue los contactos abiertos y empaquete la batería de manera que no se mueva dentro del embalaje. Indique al servicio de paquetería que se trata de mercancía peligrosa. Observe también la normativa nacional aplicable. Compruebe siempre las normativas estatales y regionales antes de transportar sus baterías.

En todas las consultas referentes al transporte de los acumuladores diríjase a una tienda de bicicletas autorizada. En dichas tiendas puede Ud. adquirir también un embalaje de transporte apropiado.

Mantenimiento/Limpieza

- ▶ **No abra ninguno de los componentes. El mantenimiento debe llevarse a cabo exclusivamente por parte de un distribuidor de eBike de Bosch autorizado.** El incumplimiento de la advertencia anterior puede causar la muerte o lesiones graves. Consulte su manual de la bicicleta o de aquellos componentes del sistema de accionamiento que no sean de Bosch.
- ▶ **Retire siempre la batería antes de realizar cualquier inspección, reparación o trabajo de mantenimiento en la bicicleta.** No retirar la batería antes de realizar cualquier inspección, reparación o trabajo de mantenimiento en la bicicleta puede causar la muerte o lesiones graves.
- ▶ **Si cree que hay algo suelto, no utilice la bicicleta.** Consulte a su distribuidor de eBike de Bosch; solo un proveedor de servicios cualificado puede efectuar trabajos en su sistema de accionamiento de Bosch. Las tuercas, los pernos y los tornillos necesitan la fuerza de apriete correcta. Con una fuerza menor de la necesaria, el cierre podría no estar bien sujeto. Con una fuerza excesiva, el cierre puede estropear las roscas, forzarse, deformarse o romperse. En todo caso, una fuerza de apriete inco-

rrrecta puede provocar un fallo en los componentes, lo que le puede hacer perder el control y caer.

- ▶ **No pinte los componentes del sistema de accionamiento de Bosch, ya que eso podría causar un fallo temprano de los mismos.**

Manejo cuidadoso de la eBike

Observe la temperatura de funcionamiento y almacenamiento de los componentes de la eBike. Proteja la unidad de accionamiento, el ordenador de a bordo y la batería de temperaturas extremas (p. ej. debido a una irradiación solar intensa sin ventilación simultánea). Las temperaturas extremas pueden dañar los componentes (especialmente las baterías).

Deje revisar su sistema eBike al menos una vez al año (entre otros el sistema mecánico, la actualización del software del sistema).

Para el servicio o las reparaciones de la eBike, contáctese con un distribuidor de bicicletas autorizado. Adicionalmente, el distribuidor de bicicletas puede tomar como base un kilometraje y/o un intervalo de tiempo para fijar la fecha del servicio. En ese caso, el ordenador de a bordo le mostrará el vencimiento de la fecha de mantenimiento al encender el ordenador.

Limpieza

- ▶ **No sumerja los componentes eBike en el agua ni los limpie con una manguera a presión.** El accionamiento de Bosch está diseñado para ser impermeable al agua de lluvia o a una limpieza con manguera sin presión.

Mantenga limpios los componentes de su eBike, especialmente los contactos del acumulador y del respectivo soporte. Todos los componentes inclusive la unidad motriz no deberán sumergirse en agua ni tratarse con una limpiadora de alta presión. Mantenga limpios todos los componentes de su eBike, especialmente los contactos de la batería y del soporte correspondiente. Límpielos con un paño suave y húmedo (utilice únicamente jabón neutro y agua).

Servicio técnico y atención al cliente

En caso de cualquier consulta sobre el sistema eBike y sus componentes, diríjase a un distribuidor de bicicletas autorizado.

Los detalles de contacto de los distribuidores de bicicletas autorizados se pueden encontrar en el sitio web www.bosch-ebike.com.

Si su acumulador ya no funciona acuda por favor a una tienda de bicicletas autorizada.

Resolución de problemas

Los componentes del sistema de la eBike se comprueban constantemente de forma automática. Si se determina un error, se muestra el correspondiente código de error en el ordenador de a bordo.

Dependiente del tipo de fallo, el accionamiento se puede desconectar automáticamente. La continua-

ción del viaje sin asistencia por el accionamiento es posible en cualquier momento. Antes de emprender otros recorridos, la eBike debe ser revisada.

► **Encargue todas las reparaciones únicamente a un distribuidor de bicicletas autorizado.**

Código	Causa	Remedio
410	Se han bloqueado una o más teclas del ordenador de a bordo.	Compruebe si hay teclas atascadas, p. ej. por penetración de suciedad. Si procede, limpie las teclas.
414	Problema de conexión de la unidad de mando	Encargue la revisión de las conexiones y las uniones
418	Se han bloqueado una o varias teclas del ordenador de a bordo.	Compruebe si hay teclas atascadas, p. ej. por penetración de suciedad. Si procede, limpie las teclas.
419	Fallo de configuración	Reinicie el sistema. Si el problema persiste, contacte con su distribuidor de eBike Bosch.
422	Problema de conexión en la unidad motriz	Encargue la revisión de las conexiones y las uniones
423	Problema de conexión de la batería de la eBike	Encargue la revisión de las conexiones y las uniones
424	Error de comunicación entre los componentes	Encargue la revisión de las conexiones y las uniones
426	Fallo interno de superación de tiempo	Reinicie el sistema. Si el problema persiste, contacte con su distribuidor de eBike Bosch. En este estado de error, no es posible visualizar o ajustar el perímetro del neumático en el menú de configuración básica.
430	La batería interna del ordenador de a bordo está descargada (no con BUI350)	Cargar el ordenador de a bordo (en el soporte o mediante el puerto USB)
431	Error de versión del software	Reinicie el sistema. Si el problema persiste, contacte con su distribuidor de eBike Bosch.
440	Fallo interno de la unidad motriz	Reinicie el sistema. Si el problema persiste, contacte con su distribuidor de eBike Bosch.
450	Error interno de software	Reinicie el sistema. Si el problema persiste, contacte con su distribuidor de eBike Bosch.
460	Error en la conexión USB	Retire el cable de la conexión USB del ordenador de a bordo. Si el problema persiste, contacte con su distribuidor de eBike Bosch.

Código	Causa	Remedio
490	Error interno del ordenador de a bordo	Encargue la revisión del ordenador de a bordo
500	Fallo interno de la unidad motriz	Reinicie el sistema. Si el problema persiste, contacte con su distribuidor de eBike Bosch.
502	Fallo en la iluminación de la bicicleta	Compruebe la luz y el cableado correspondiente. Reinicie el sistema. Si el problema persiste, contacte con su distribuidor de eBike Bosch.
503	Fallo del sensor de velocidad	Reinicie el sistema. Si el problema persiste, contacte con su distribuidor de eBike Bosch.
504	Se ha detectado una manipulación de la señal de velocidad.	Compruebe la posición del imán de memoria y ajústela si es necesario. Comprobar si existe manipulación (tuneo). La asistencia del accionamiento disminuye.
510	Avería interna del sensor	Reinicie el sistema. Si el problema persiste, contacte con su distribuidor de eBike Bosch.
511	Fallo interno de la unidad motriz	Reinicie el sistema. Si el problema persiste, contacte con su distribuidor de eBike Bosch.
530	Fallo del acumulador	Desconecte la eBike, extraiga el acumulador del mismo y vuelva a colocarlo. Reinicie el sistema. Si el problema persiste, contacte con su distribuidor de eBike Bosch.
531	Fallo de configuración	Reinicie el sistema. Si el problema persiste, contacte con su distribuidor de eBike Bosch.
540	Fallo de temperatura	La eBike se encuentra fuera del rango de temperatura permitido. Desconecte el sistema eBike y deje que la unidad motriz se enfríe o se caliente para que se sitúe en el rango de temperatura permitido. Reinicie el sistema. Si el problema persiste, contacte con su distribuidor de eBike Bosch.
550	Se ha detectado un consumidor no autorizado.	Elimine el consumidor. Reinicie el sistema. Si el problema persiste, contacte con su distribuidor de eBike Bosch.
580	Error de versión del software	Reinicie el sistema. Si el problema persiste, contacte con su distribuidor de eBike Bosch.
591	Error de autenticación	Desconecte el sistema eBike. Extraiga el acumulador y vuelva a instalarlo. Reinicie el sistema. Si el problema persiste, contacte con su distribuidor de eBike Bosch.
592	Componentes incompatibles	Utilizar una pantalla compatible. Si el problema persiste, contacte con su distribuidor de eBike Bosch.
593	Fallo de configuración	Reinicie el sistema. Si el problema persiste, contacte con su distribuidor de eBike Bosch.

Código	Causa	Remedio
595, 596	Error de comunicación	Compruebe el cableado hasta la caja de cambios y reinicie el sistema. Si el problema persiste, contacte con su distribuidor de eBike Bosch.
602	Fallo interno del acumulador	Reinicie el sistema. Si el problema persiste, contacte con su distribuidor de eBike Bosch.
603	Fallo interno del acumulador	Reinicie el sistema. Si el problema persiste, contacte con su distribuidor de eBike Bosch.
605	Fallo de temperatura del acumulador	El acumulador se encuentra fuera del rango de temperatura permitido. Desconecte el sistema eBike y deje que el acumulador se enfríe o se caliente para que se sitúe en el rango de temperatura permitido. Reinicie el sistema. Si el problema persiste, contacte con su distribuidor de eBike Bosch.
606	Fallo externo del acumulador	Compruebe el cableado. Reinicie el sistema. Si el problema persiste, contacte con su distribuidor de eBike Bosch.
610	Fallo de tensión del acumulador	Reinicie el sistema. Si el problema persiste, contacte con su distribuidor de eBike Bosch.
620	Fallo del dispositivo de carga	Sustituya el dispositivo de carga. Contacte con su distribuidor de eBike Bosch.
640	Fallo interno del acumulador	Reinicie el sistema. Si el problema persiste, contacte con su distribuidor de eBike Bosch.
655	Fallo múltiple del acumulador	Desconecte el sistema eBike. Extraiga el acumulador y vuelva a instalarlo. Reinicie el sistema. Si el problema persiste, contacte con su distribuidor de eBike Bosch.
656	Error de versión del software	Contacte con su distribuidor de eBike Bosch para que le actualicen el software.
7xx	Error en componentes de terceros	Observe las indicaciones del manual de instrucciones de uso del fabricante del componente correspondiente.
Ninguna indicación	Error interno del ordenador de a bordo	Reinicie el sistema eBike apagándolo y volviéndolo a encender.

Programa de reciclaje de baterías



La unidad de accionamiento, el ordenador de a bordo incl. la unidad de mando, el acumulador, el sensor de velocidad, los accesorios y los embalajes deben reciclarse de forma respetuosa con el medio ambiente.

¡No arroje eBikes y sus componentes a la basura!



Puede reciclar su paquete de baterías de Bosch llamando al 1.800.822.8837.