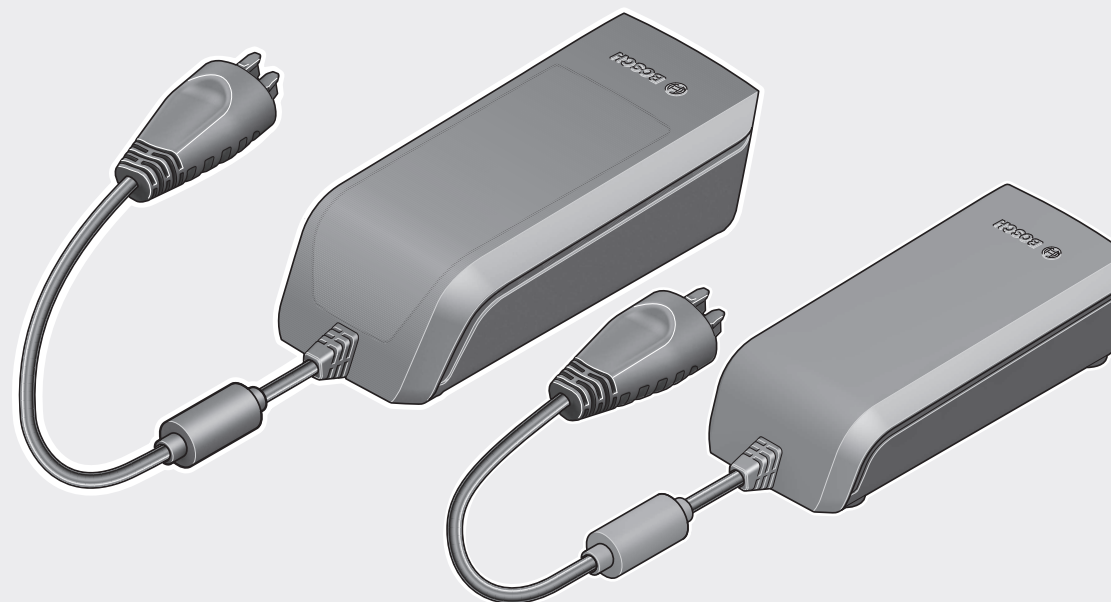


Cette notice contient d'importantes informations sur la sécurité, les performances et l'entretien. Lisez-les et comprenez-les ainsi que les informations fournies par le fabricant de votre vélo avant d'utiliser le produit, et conservez-les pour référence ultérieure.



Robert Bosch GmbH
72757 Reutlingen
Germany

www.bosch-ebike.com

0 275 U07 XCX (2019.01) T / 41

Owner's Manual – The Bosch Drive System Charger

BCS210 | BCS230



Este manual contiene información importante de seguridad, rendimiento y mantenimiento. Léalo y asegúrese de entenderlo junto con la información que le ha facilitado el fabricante de su bicicleta antes de usar el producto; guárdelo a modo de referencia.

en Original operating instructions
fr Notice d'utilisation d'origine
es Instrucciones de servicio originales

This manual contains important safety, performance and service information. Read and understand it along with the information provided to you by your bicycle manufacturer before using the product, and keep it for reference.

Introduction	2
About Warnings	2
General Warnings	2
Using your Manual	2
On-product warning labels	3
Operating the Charger	4
Safety Instructions	4
Product Description and Specifications	6
Operation	8
Maintenance/cleaning	10
Troubleshooting	11
Battery Recycling Program	12

Introduction

About Warnings

This manual contains many **DANGER**, **WARNING**, and **CAUTION** indicators concerning the consequences of failure to use, assemble, maintain, store, inspect and dispose of a Bosch-equipped eBike in a safe manner.

- The combination of the safety alert symbol and the word **DANGER** indicates a hazardous situation that, if not avoided, will result in death or serious injury.
- The combination of the safety alert symbol and the word **WARNING** indicates a hazardous situation that, if not avoided, could result in death or serious injury.
- The combination of the safety alert symbol and the word **CAUTION** indicates a hazardous situation that, if not avoided, could result in minor or moderate injury.

General Warnings



Read all safety warnings and all instructions. Failure to follow the warnings and instructions may result in death or serious injury.

Save all safety warnings and instructions for future reference.

The term **battery pack** used in these operating instructions refers to all original Bosch eBike battery packs.



WARNING

- ▶ **This manual contains important safety, performance and service information.** Read it before you take the first ride on your new bicycle, and keep it for reference. The manual can also be found online at www.bosch-ebike.com.
- ▶ **This manual is intended to be read together with the separate user manual provided with your bi-**

cycle. Be sure to read all provided documents including labels on the product before your first ride.

- ▶ **Read ALL accompanying manuals before riding the bike for the first time.** Your Bosch Drive System comes with additional manuals and documents provided by the manufacturer of the bicycle and other components. Failure to read and understand safety information can result in death or serious injury.
- ▶ **Take responsibility for your own SAFETY.** If you have any questions or do not understand something, consult with your dealer or the bicycle or component manufacturer.
- ▶ **Some eBike accessories may present a choking hazard to small children.** Keep these accessories away from children.



CAUTION

- ▶ **The Bosch Drive System adds weight to your bicycle which you may not be used to lifting.** Avoid injury, use proper lifting techniques.

Using your Manual

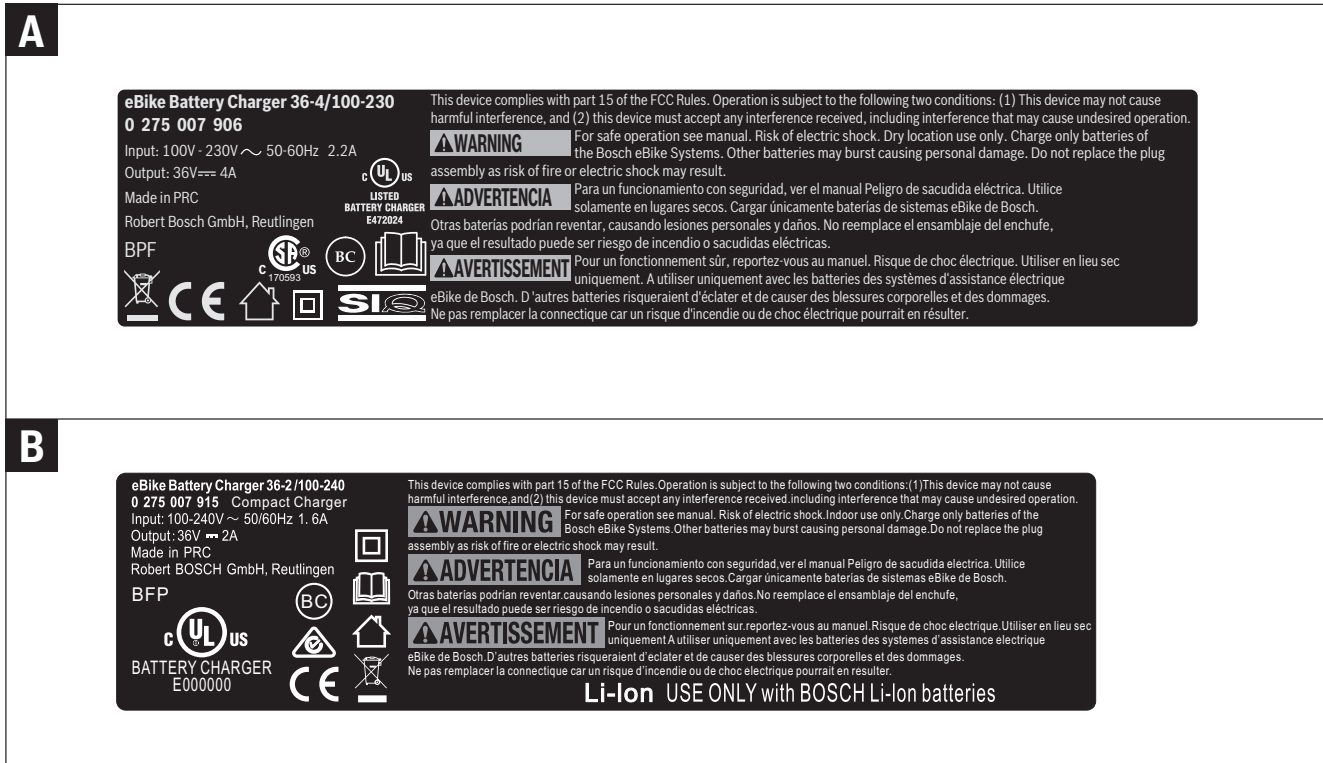
In addition to the functions shown here, changes to software relating to troubleshooting and functional enhancements may be introduced at any time.

Graphics

The bicycle shown in this manual may differ slightly from your bicycle, but will be similar enough to help you understand our instructions.

RIGHT-HAND and LEFT-HAND sides are determined by facing in the direction the bicycle will travel when going forward. When you see a broken line (-----), the item referred to is hidden from view.

On-product warning labels



A Wide range charger

B Compact charger

A short version of important safety warnings in English, French and Spanish with the following content can be found on the bottom side of the charger (marked with number **(4)** in the representation on the graphics page):

- For safe operation, see manual.
- Risk of electric shock
- Indoor use only
- Charge only batteries for the Bosch eBike Systems. Other batteries may burst causing personal damage.
- Do not replace the plug assembly as risk of fire or electric shock may result.

Operating the Charger

Safety Instructions

IMPORTANT SAFETY INSTRUCTIONS SAVE THESE INSTRUCTIONS –

This manual contains important safety and operating instructions for this battery charger.

- ▶ Before using battery charger, read all instructions and cautionary markings on battery charger, battery, and product using battery.

⚠ CAUTION

- ▶ **To reduce risk of injury, charge only batteries of the Bosch eBike Systems.** Other types of batteries may burst causing personal injury and damage.



Read and understand all safety warnings and instructions. Failure to follow

the below warnings could result in death or serious injury.

Save all safety warnings and instructions for future reference.

The term **battery pack** used in these operating instructions refers to all original Bosch eBike battery packs.

⚠ DANGER

- ▶ **Only charge eBike-approved Bosch lithium-ion battery packs. The battery pack voltage must match the battery pack charging voltage of the charger.** Otherwise, there is risk of fire and explosion.



Do not expose the charger to rain or wet conditions. If water enters a charger, there is a risk of electric shock.

⚠ WARNING

- ▶ **Use only the original Bosch battery charger supplied with your eBike or one approved for your eBike by the manufacturer and purchased from a trusted source.** Bypassing the battery charger or

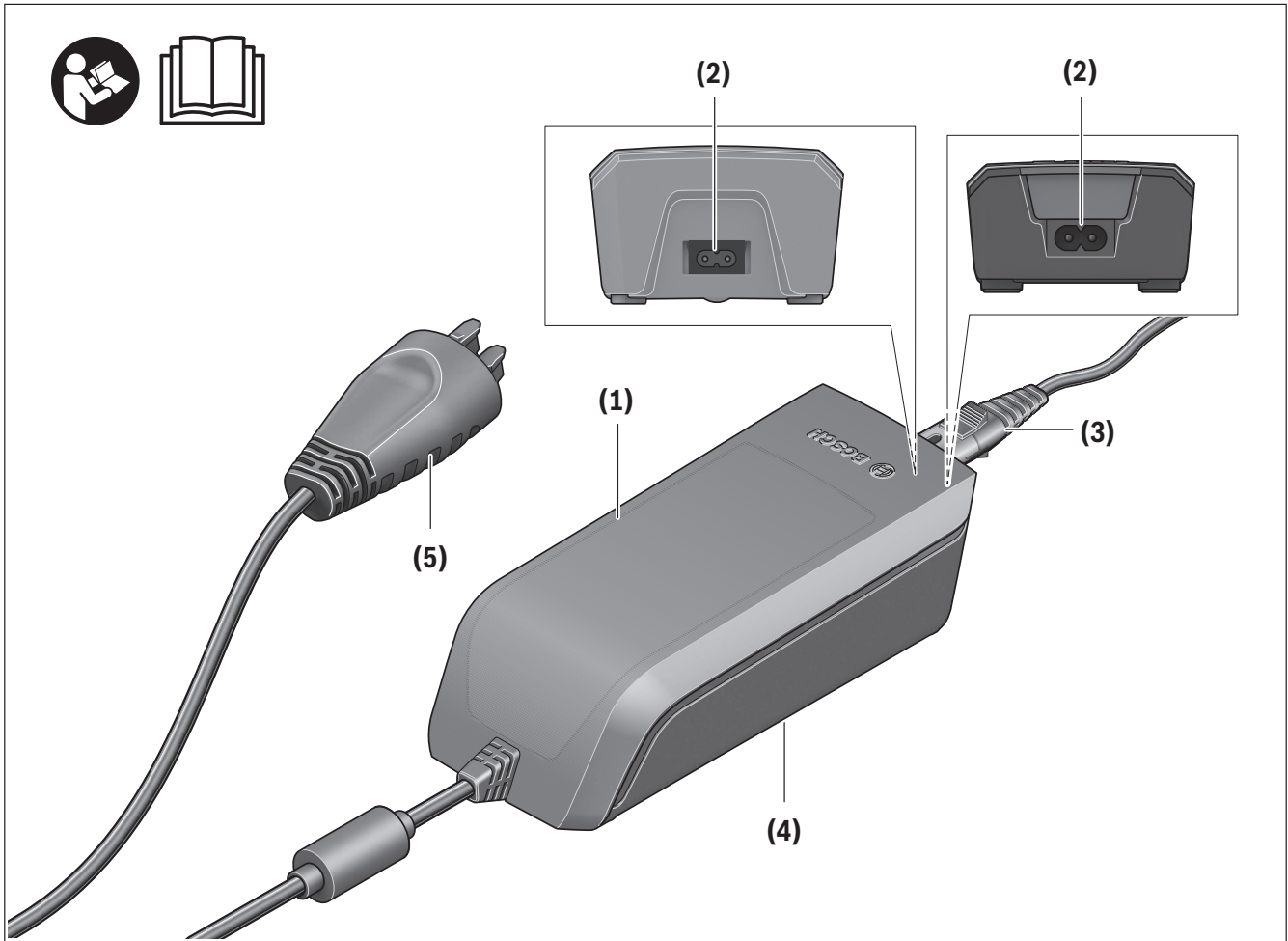
the use of a non-approved or counterfeit battery charger can lead to death or serious injury.

- ▶ **Keep the battery charger clean.** Contamination can lead to the risk of an electric shock. Clean only with the use of a damp cloth (mild soap/water).
- ▶ **Always check the charger, cable and plug before use. Stop using the charger if you discover any damage. Do not open the charger.** Damaged chargers, cables and plugs increase the risk of electric shock.
- ▶ **Do not operate the charger on an easily ignited surface (e.g. paper, textiles, etc.) or in a flammable environment.** There is a risk of fire due to the charger heating up during operation.
- ▶ **Take care if you touch the charger while it is charging. Wear protective gloves.** The charger can get very hot, especially when the ambient temperature is high.
- ▶ **The battery may give off fumes if it becomes damaged or is used incorrectly. Ensure the area is well ventilated and seek medical attention should you experience any adverse effects.** These fumes may irritate the respiratory tract.
- ▶ **Do not place the charger or the battery near flammable materials. Ensure the battery is completely dry and placed on a fireproof surface before charging.** There is a risk of fire due to the heat generated during charging.
- ▶ **The eBike battery must not be left unattended while charging.**
- ▶ **Batteries must not be subjected to mechanical shock.** There is a risk of the battery being damaged.
- ▶ **Keep the battery charger away from children.** This will ensure that children do not play with the charger.
- ▶ **Persons who are not capable of safely operating the charger because of their physical, sensory or**

mental limitations, or because of their lack of experience or knowledge, may only use this charger under supervision or after having been instructed by a responsible person. Otherwise, there is a risk of operating errors and injuries.

- ▶ **Read and observe the safety warnings and instructions in all operating instructions of the eBike system and your eBike.**

Product Description and Specifications



Product Features

- (1) Charger
- (2) Device socket
- (3) Device connector
- (4) Charger safety instructions
- (5) Charging connector

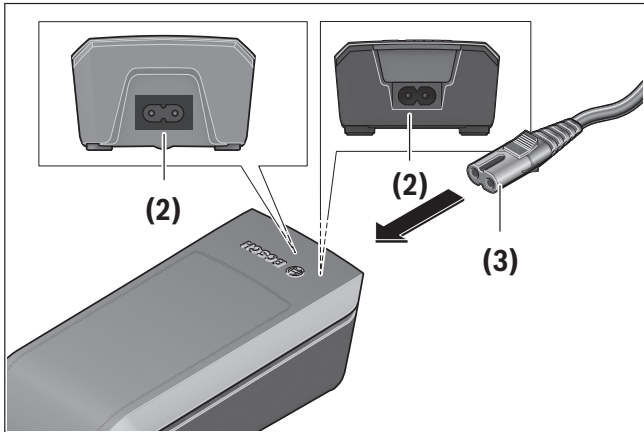
Technical data

Charger		Wide Range Charger (36-4/100-230)	Compact Charger (36-2/100-240)
Product code		BCS210	BCS230
Rated voltage	V~	90-264	90-264
Frequency	Hz	47-63	47-63
Battery charging voltage	V=	36	36
Charging current (max.)	A	4	2
Charging time			
– PowerPack 400, approx.	hrs	3.5	6.5
– PowerPack 500, approx.	hrs	4.5	7.5
Operating temperature	°F	+32...+104	+32...+104
Storage temperature	°F	+14...+122	+14...+122
Weight, approx.	lb	1.8	1.3
Protection rating		IP 40	IP 40
Power cable			
Article number			1 270 020 343
Rated voltage – cables		V~	300
Rated voltage – connectors/plug-in connectors		V~	125
Rated current – connectors/plug-in connectors		A	10
Material – cables			PVC
Safety standard – cables			UL 62
Safety standard – connectors/plug-in connectors			UL 817
Length, approx.		m	1.8

Operation

Start-up

Connecting the charger to the mains



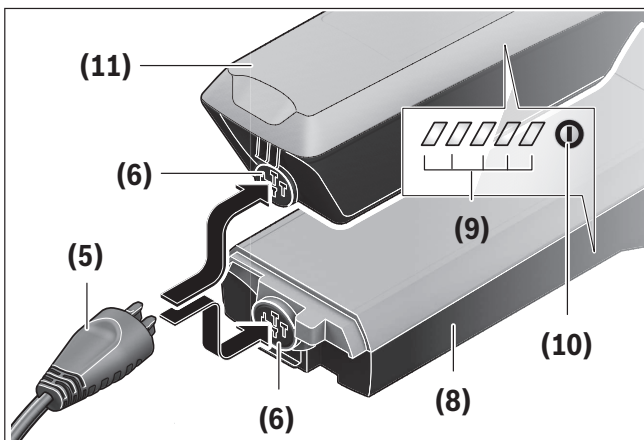
► **Note the household voltage!** The voltage of the power supply must correspond to the specifications given on the battery charger nameplate.

Plug the device connector **(3)** of the power cable into the device socket **(2)** on the charger.

Connect the power cable (country-specific) to the mains.

Use only the supplied input connection: standard AC power cord **(3)** in the diagram) when connecting to the household electrical supply.

Charging the battery when removed



(5) Charging connector

(6) Socket for charging connector

(8) Rack-mounted battery

(9) Operation/state of charge indicator

(10) On/off button for battery

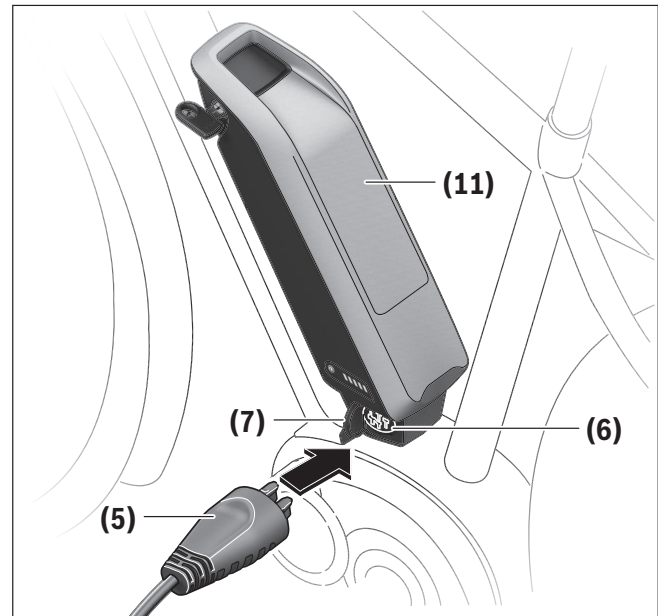
(11) Standard battery

Switch the battery off and remove it from its holder on the eBike. When doing so, read and observe the operating instructions of the battery.

► **Ensure the battery is placed on clean surfaces only.** Avoid getting dirt, e.g. sand or soil, in the charging socket and contacts in particular.

Plug the charging connector **(5)** of the charger into the socket **(6)** on the battery.

Charging the battery when inserted in the bicycle

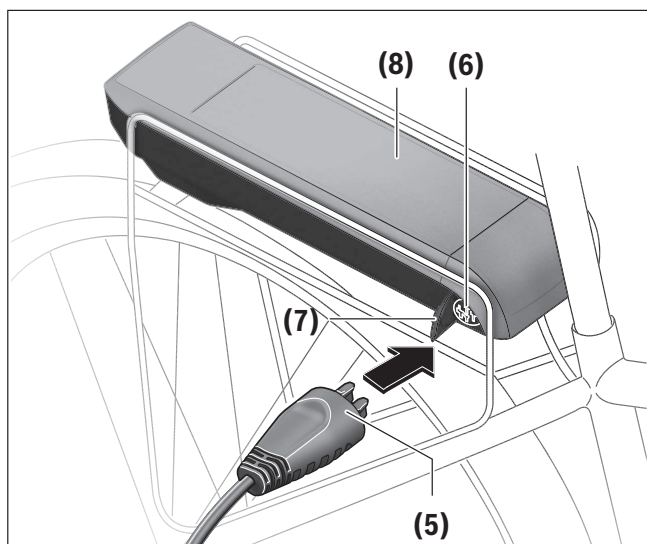


(5) Charging connector

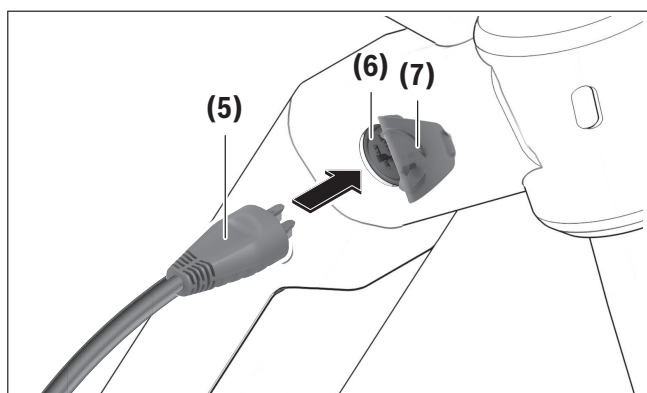
(6) Socket for charging connector

(7) Charging socket cover

(11) Standard battery



- (5) Charging connector
- (6) Socket for charging connector
- (7) Charging socket cover
- (8) Rack-mounted battery



- (5) Charging connector
- (6) Socket for charging connector
- (7) Charging socket cover

Switch the battery off. Clean the cover of the charging socket (7). Avoid getting dirt, e.g. sand or soil, in the charging socket and contacts in particular. Lift the cover of the charging socket (7) and plug the charging connector (5) into the charging socket (6).

► **Charge the battery only in accordance with all safety instructions.** If this is not possible, remove the battery from the holder and charge it in a more

suitable location. When doing so, read and observe the operating instructions of the battery.

Charging with Two Battery Packs Inserted

If two battery packs are mounted on one eBike, both battery packs can be charged using the unsealed connection. To begin with, both batteries are charged one after the other until they reach approx. 80–90 % capacity, then they are both charged at the same time until full (the LEDs on both batteries flash).

When the bike is in operation, power is drawn from both batteries on an alternating basis.

If you take the battery packs out of the holders, you can charge each battery pack individually.

Charging process

The charging process begins as soon as the charger is connected to the battery or charging socket on the bike and to the mains.

Note: The charging process is only possible when the temperature of the eBike battery is within the permitted charging temperature range.

Note: The drive unit is deactivated during the charging process.

The battery can be charged with or without the on-board computer. When charging without the on-board computer, the charging progress can be observed via the battery charge indicator.

When the on-board computer is connected, a charging notification appears on the display.

The state of charge is displayed by the battery charge indicator (9) on the battery and by the bars on the on-board computer.

The LEDs on the battery charge indicator (9) will flash during the charging process. Each solid illuminated LED represents approximately 20 % of the charging capacity. The flashing LED indicates the next 20 % currently charging.

Once the eBike battery is fully charged, the LEDs extinguish immediately and the on-board computer is switched off. The charging process is terminated. The

state of charge can be displayed for three seconds by pressing the on/off button **(10)** on the eBike battery. Disconnect the charger from the mains and the battery from the charger.

When the battery is disconnected from the charger, the battery is automatically switched off.

Note: If you have charged the battery on the bike, carefully close the charging socket **(6)** with the cover **(7)** after charging, so that no dirt or water can get in. If the charger is not disconnected from the battery after charging, the charger will switch itself back on after a few hours, check the state of charge of the battery and begin the charging process again if necessary.

For contact details of authorized bike dealerships, please visit www.bosch-ebike.com.

Please contact an authorized bicycle dealer if the battery is no longer working.




Maintenance/cleaning

- ▶ **Do not open any of the components. Service should only be carried out at an authorized Bosch eBike dealer.** Failure to follow above warning can cause death or serious injury. Refer to your bicycle manual or component manual for all non-Bosch drive system components.
- ▶ **Do not charge or use your eBike in any area with a potentially explosive atmosphere, such as at a fueling area, or in areas where the air contains chemicals or particles (such as grain, dust, or metal powders).** Obey all signs and instructions.
- ▶ **Do not submerge your eBike components in water, or wash with pressurized hose.** Your Bosch drive unit is designed to be water tight to rain water or non-pressure hose washing.
- ▶ **Do not paint any components of the Bosch drive system as they may cause premature failure of the component.**

After-sales service and advice on using products

If you have any questions about the eBike system and its components, contact an authorized bicycle dealer.

Troubleshooting

Cause	Corrective measures
 <p>Battery defective</p>	<p>Two LEDs flash on the battery. Contact an authorized bike dealership.</p>
 <p>Battery too warm or too cold</p>	<p>Three LEDs flash on the battery. Disconnect the battery from the charger until the charging temperature range has been reached. Do not reconnect the battery to the charger until it has reached the correct charging temperature.</p>
 <p>The charger is not charging.</p>	<p>No LEDs flashing (one or more LEDs will remain permanently lit depending on the state of charge of the eBike battery). Contact an authorized bike dealership.</p>
Charging not possible (no indicator on battery)	
Connector not attached properly	Check all connections.
Battery contacts dirty	Carefully clean the battery contacts.
Socket outlet, cable or charger defective	Check the mains voltage, have the charger checked over by a bike dealership.
Battery defective	Contact an authorized bike dealership.

Battery Recycling Program



The drive unit, on-board computer incl. operating unit, battery, speed sensor, accessories and packaging should be disposed of in an environmentally correct manner.

Do not dispose of eBikes and their components with household waste.



You may recycle your Bosch battery pack by calling 1.800.822.8837.

Introduction	2
À propos des avertissements	2
Avertissements généraux	2
Utilisez votre notice d'utilisation	2
Étiquettes d'avertissement sur le produit	4
Utilisation du chargeur	5
Consignes de sécurité	5
Description et caractéristiques techniques du produit	7
Fonctionnement	9
Maintenance/nettoyage	11
Résolution des problèmes	12
Programme de recyclage des accus	13

Introduction

À propos des avertissements

Cette notice contient de nombreuses mentions de danger de type **DANGER, AVERTISSEMENT** et **ATTENTION** destinées à attirer l'attention sur les conséquences d'erreurs, dans le but d'utiliser, d'assembler, d'entretenir, de conserver et d'éliminer dans les règles et en toute sécurité les vélos électriques dotés d'un système eBike Bosch.

- Le symbole de sécurité et le mot **DANGER** signalent une situation à risque élevé, qui entraîne inévitablement des blessures graves, voire la mort, si elle n'est pas évitée.
- Le symbole de sécurité et le mot **AVERTISSEMENT** signalent une situation à risque élevé, pouvant entraîner des blessures graves, voire la mort, si elle n'est pas évitée.
- Le symbole de sécurité et le mot **ATTENTION** signalent une situation à risque modéré pouvant entraîner des blessures légères ou modérées si elle n'est pas évitée.

Avertissements généraux



Lisez tous les avertissements de sécurité et toutes les instructions. Le fait de ne pas respecter les avertissements et les instructions peut entraîner des blessures graves ou mortelles.

Conservez tous les avertissements et toutes les instructions pour pouvoir s'y reporter ultérieurement.

Le terme **accu** utilisé dans la présente notice d'utilisation désigne un accu/une batterie d'eBike Bosch d'origine.

▲ AVERTISSEMENT

- **Cette notice contient d'importantes informations sur la sécurité, les performances et l'entre-**

tien. Veuillez la lire avant d'utiliser votre vélo pour la première fois, et la conserver pour référence ultérieure. Vous pouvez également retrouver cette notice en ligne à l'adresse www.bosch-ebike.com.

- **Cette notice est destinée à être lue conjointement avec le manuel utilisateur séparé fourni avec votre vélo.** Assurez-vous de lire tous les documents fournis y compris les étiquettes apposées sur le produit avant la première utilisation.
- **Lisez TOUS les manuels et TOUTES les notices jointes avant d'utiliser votre vélo pour la première fois.** Votre système d'entraînement Bosch est livré avec d'autres manuels et documents fournis par le fabricant du vélo et des autres éléments. Ne pas lire ou ne pas comprendre les informations de sécurité peut entraîner des blessures graves ou mortelles.
- **Assumez la responsabilité de votre propre SÉCURITÉ.** En cas de question ou d'incompréhension, contactez votre revendeur ou le fabricant du vélo ou de l'élément.
- **Certains accessoires de l'eBike peuvent présenter un risque d'étouffement pour les petits enfants.** Conservez ces accessoires hors de portée des enfants.

▲ ATTENTION

- **Le système d'entraînement Bosch alourdit votre vélo. Vous n'avez peut-être pas l'habitude de le soulever.** Évitez de vous blesser en utilisant des techniques de levage appropriées.

Utilisez votre notice d'utilisation

Nous nous réservons le droit d'apporter à tout moment des modifications au logiciel pour corriger des erreurs ou pour étendre les fonctionnalités décrites dans la présente notice.

Graphiques

Le vélo illustré dans cette notice peut être légèrement différent de votre vélo, mais il est suffisamment similaire pour vous permettre de comprendre nos instructions.

Les côtés DROIT et GAUCHE sont déterminés en se plaçant en situation, dans le sens de la marche du vélo. Lorsqu'une ligne en pointillé (-----) apparaît, l'élément auquel il est fait référence n'est pas visible.

Étiquettes d'avertissement sur le produit

A

eBike Battery Charger 36-4/100-230
0 275 007 906
 Input: 100V - 230V ~ 50-60Hz 2.2A
 Output: 36V= 4A
 Made in PRC
 Robert Bosch GmbH, Reutlingen
 BPF

This device complies with part 15 of the FCC Rules. Operation is subject to the following two conditions: (1) This device may not cause harmful interference, and (2) this device must accept any interference received, including interference that may cause undesired operation.

WARNING For safe operation see manual. Risk of electric shock. Dry location use only. Charge only batteries of the Bosch eBike Systems. Other batteries may burst causing personal damage. Do not replace the plug assembly as risk of fire or electric shock may result.

ADVERTENCIA Para un funcionamiento con seguridad, ver el manual Peligro de sacudida eléctrica. Utilice solamente en lugares secos. Cargar únicamente baterías de sistemas eBike de Bosch. Otras baterías podrían reventar, causando lesiones personales y daños. No reemplace el ensamblaje del enchufe, ya que el resultado puede ser riesgo de incendio o sacudidas eléctricas.

AVERTISSEMENT Pour un fonctionnement sûr, reportez-vous au manuel. Risque de choc électrique. Utiliser en lieu sec uniquement. A utiliser uniquement avec les batteries des systèmes d'assistance électrique eBike de Bosch. D'autres batteries risqueraient d'éclater et de causer des blessures corporelles et des dommages. Ne pas remplacer la connectique car un risque d'incendie ou de choc électrique pourrait en résulter.

LISTED BATTERY CHARGER E472024
 UL US
 SF 170593
 BC
 CE
 SI

B

eBike Battery Charger 36-2/100-240
0 275 007 915 Compact Charger
 Input: 100-240V ~ 50/60Hz 1.6A
 Output: 36V = 2A
 Made in PRC
 Robert BOSCH GmbH, Reutlingen
 BFP

This device complies with part 15 of the FCC Rules. Operation is subject to the following two conditions: (1) This device may not cause harmful interference and (2) this device must accept any interference received, including interference that may cause undesired operation.

WARNING For safe operation see manual. Risk of electric shock. Indoor use only. Charge only batteries of the Bosch eBike Systems. Other batteries may burst causing personal damage. Do not replace the plug assembly as risk of fire or electric shock may result.

ADVERTENCIA Para un funcionamiento con seguridad, ver el manual Peligro de sacudida eléctrica. Utilice solamente en lugares secos. Cargar únicamente baterías de sistemas eBike de Bosch. Otras baterías podrían reventar, causando lesiones personales y daños. No reemplace el ensamblaje del enchufe, ya que el resultado puede ser riesgo de incendio o sacudidas eléctricas.

AVERTISSEMENT Pour un fonctionnement sûr, reportez-vous au manuel. Risque de choc électrique. Utiliser en lieu sec uniquement. A utiliser uniquement avec les batteries des systèmes d'assistance électrique eBike de Bosch. D'autres batteries risqueraient d'éclater et de causer des blessures corporelles et des dommages. Ne pas remplacer la connectique car un risque d'incendie ou de choc électrique pourrait en résulter.

BATTERY CHARGER E000000
 UL US
 CE
 BC
 Li-Ion USE ONLY with BOSCH Li-Ion batteries

A Wide range charger

B Compact charger

Vous trouverez sous le chargeur un résumé des consignes de sécurité importantes en anglais, français et espagnol avec le texte suivant (voir la position **(4)** sur la page avec les graphiques) :

- Pour un fonctionnement sûr, reportez-vous au manuel.
- Risque de choc électrique
- Utiliser en lieu sec uniquement
- À utiliser uniquement avec les batteries des systèmes d'assistance électrique eBike de Bosch. D'autres batteries risqueraient d'éclater et de causer des blessures corporelles et des dommages.
- Ne pas remplacer la connectique car un risque d'incendie ou de choc électrique pourrait en résulter.

Utilisation du chargeur

Consignes de sécurité

CONSIGNES DE SÉCURITÉ IMPORTANTES CONSERVEZ CES INSTRUCTIONS –

Ce manuel contient des consignes de sécurité et d'utilisation importantes pour ce chargeur de batterie.

- ▶ Avant d'utiliser le chargeur, lisez attentivement toutes les instructions et tous les avertissements relatifs au chargeur, à la batterie et au produit utilisant la batterie.

ATTENTION

- ▶ **Pour réduire les risques d'accident, ne chargez que les batteries du système eBike Bosch.** Les autres types de batteries risquent de provoquer des blessures et des dommages matériels.



Lisez et comprenez tous les avertissements et toutes les instructions. Le fait

de ne pas respecter les avertissements ci-dessous peut entraîner des blessures graves ou mortelles.

Conservez tous les avertissements et toutes les instructions pour pouvoir s'y reporter ultérieurement.

Le terme **accu** utilisé dans la présente notice d'utilisation désigne un accu/une batterie d'eBike Bosch d'origine.

DANGER

- ▶ **Ne chargez que des batteries Lithium-Ion autorisées par Bosch pour les vélos électriques. La tension de la batterie doit correspondre à la tension de charge du chargeur.** Sinon, il y a risque d'incendie et d'explosion.



N'exposez pas le chargeur à la pluie ou à de l'humidité. En cas de pénétration

d'eau dans un chargeur il y a risque de choc électrique.

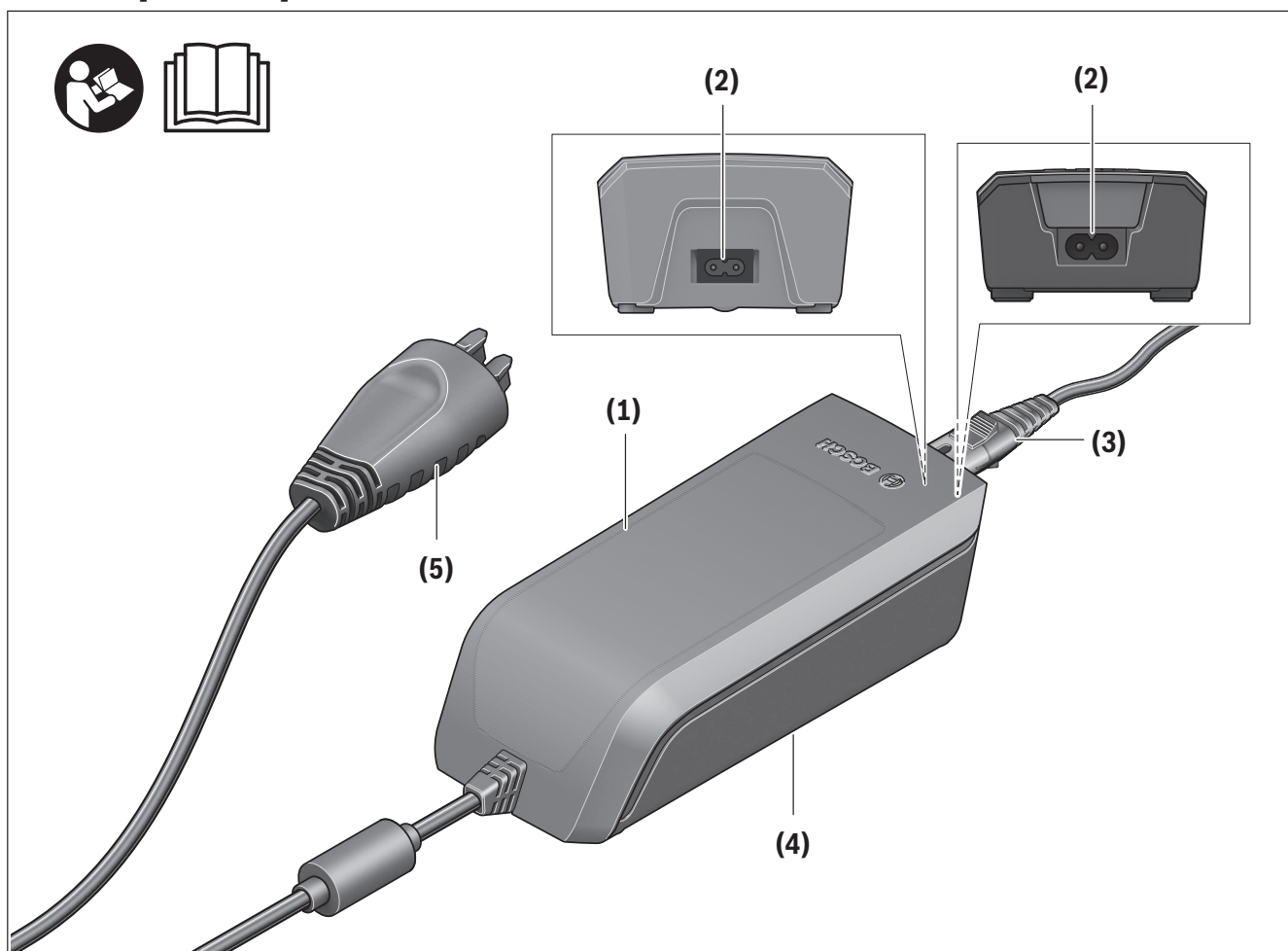
AVERTISSEMENT

- ▶ **Utilisez uniquement le chargeur de batterie Bosch d'origine fourni avec votre vélo électrique ou un chargeur homologué par le fabricant et acheté auprès d'une source fiable.** Tout court-circuitage ou toute utilisation d'un chargeur de contrefaçon ou non homologué peut entraîner des blessures graves ou mortelles.
- ▶ **Veillez à ce que le chargeur de batterie reste propre.** Tout encrassement augmente le risque de choc électrique. Effectuez le nettoyage uniquement à l'aide d'un chiffon humide (savon doux/eau).
- ▶ **Vérifiez l'état du chargeur, du câble et du connecteur avant chaque utilisation. N'utilisez plus le chargeur si vous constatez des dommages. N'ouvrez pas le chargeur.** Le risque de choc électrique augmente quand le chargeur, le câble ou le connecteur présente un dommage.
- ▶ **N'utilisez pas le chargeur sur un support facilement inflammable (par ex. papier, textile etc.) ou dans un environnement inflammable.** En s'échauffant, le chargeur peut provoquer un incendie.
- ▶ **Soyez prudent lorsque vous touchez le chargeur pendant le processus de charge. Portez des gants de protection.** Le chargeur peut s'échauffer fortement surtout en cas de température ambiante élevée.
- ▶ **En cas d'endommagement ou d'utilisation non conforme de la batterie, des vapeurs peuvent s'échapper. Ventilez le local et consultez un médecin en cas de malaise.** Les vapeurs peuvent irriter les voies respiratoires.
- ▶ **Ne placez jamais le chargeur et la batterie à proximité de matériaux inflammables. Ne chargez les batteries qu'à l'état sec et dans un endroit résistant au feu.** Il y a en effet risque d'incen-

die pendant la charge du fait de l'échauffement de la batterie.

- ▶ **Ne laissez pas la batterie de votre vélo électrique sans surveillance pendant sa charge.**
- ▶ **Les batteries ne doivent subir aucun choc mécanique.** Ils risquent sinon d'être endommagés.
- ▶ **Conservez le chargeur de batterie hors de portée des enfants.** Cela évitera que des enfants jouent avec le chargeur.
- ▶ **Les personnes incapables d'utiliser seules ce chargeur en raison d'un handicap physique, sensoriel ou mental ou d'un manque d'expérience et/ou de connaissances ne sont autorisées à utiliser ce chargeur que sous la surveillance d'une personne responsable de leur sécurité ou après avoir reçu des instructions concernant son utilisation.** Il y a sinon risque de blessures et d'utilisation inappropriée.
- ▶ **Lisez et respectez les consignes de sécurité et les instructions de toutes les notices d'utilisation du système eBike, ainsi que la notice d'utilisation de votre eBike.**

Description et caractéristiques techniques du produit



Caractéristiques du produit

- (1) Chargeur
- (2) Prise du chargeur
- (3) Connecteur du chargeur
- (4) Consignes de sécurité du chargeur
- (5) Connecteur de charge

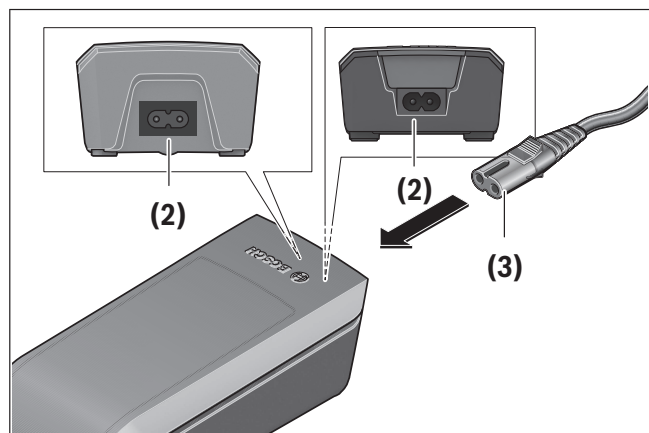
Caractéristiques techniques

Chargeur		Wide Range Charger (36-4/100-230)	Compact Charger (36-2/100-240)
Code produit		BCS210	BCS230
Tension nominale	V~	90-264	90-264
Fréquence	Hz	47-63	47-63
Tension de charge de la batterie	V=	36	36
Courant de charge (maxi)*	A	4	2
Durée de charge			
– PowerPack 400, env.	h	3,5	6,5
– PowerPack 500, env.	h	4,5	7,5
Températures de fonctionnement	°F	+32...+104	+32...+104
Températures de stockage	°F	+14...+122	+14...+122
Poids (approx.)	lb	1,8	1,3
Indice de protection		IP 40	IP 40
Câble de secteur			
Référence			1 270 020 343
Tension nominale – Câble		V~	300
Tension nominale – Connecteur		V~	125
Courant nominal – Connecteur		A	10
Matériau – Câble			PVC
Norme de sécurité – Câble			UL 62
Norme de sécurité – Connecteur			UL 817
Longueur approx.		m	1,8

Fonctionnement

Mise en marche

Raccordement du chargeur au réseau électrique



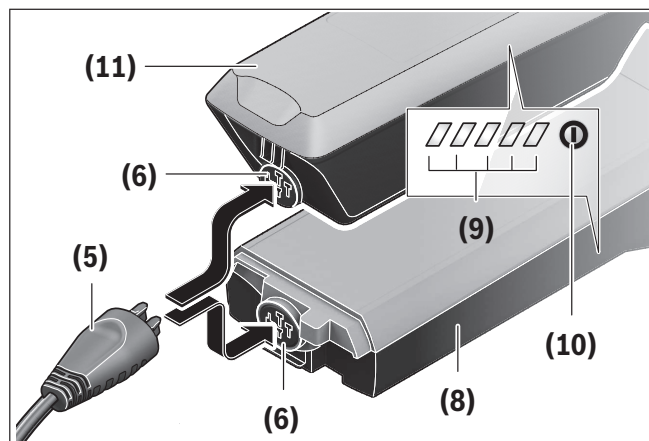
► **Respectez la tension du secteur !** La tension du réseau d'alimentation doit correspondre aux données indiquées sur la plaque signalétique du chargeur de batterie.

Reliez le connecteur (3) du câble secteur à la prise (2) du chargeur.

Raccordez le câble secteur (peut différer selon les pays) à une prise secteur.

Utilisez uniquement le câble d'alimentation secteur standard fourni ((3) sur le diagramme) pour le branchement à une prise électrique domestique.

Recharge de la batterie en dehors du vélo



(5) Connecteur de charge

(6) Prise pour connecteur de charge

(8) Batterie de porte-bagages

(9) Indicateur de fonctionnement et d'état de charge

(10) Touche Marche/Arrêt

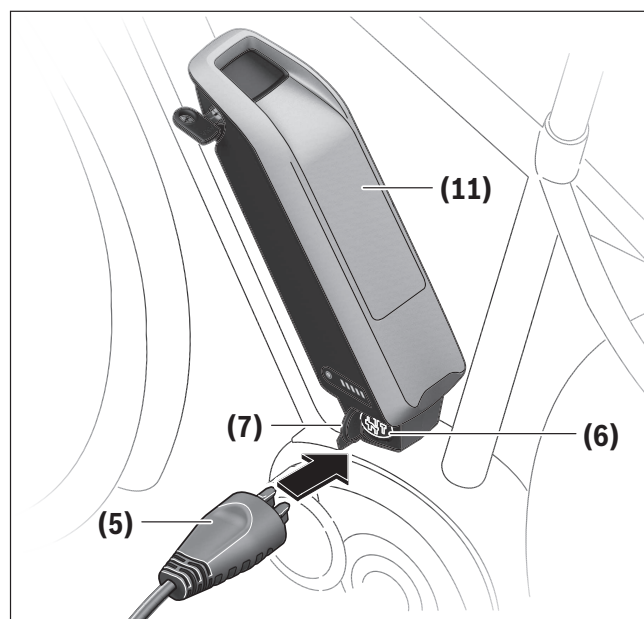
(11) Batterie standard

Éteignez la batterie et retirez-la de la fixation sur le vélo électrique. Lisez et observez la notice d'utilisation de la batterie.

► **Ne posez la batterie que sur des surfaces propres.** Évitez tout encrassement de la prise de charge et des contacts électriques, par ex. par du sable ou de la terre.

Reliez le connecteur de charge (5) du chargeur à la prise (6) de la batterie.

Recharge de la batterie sur le vélo

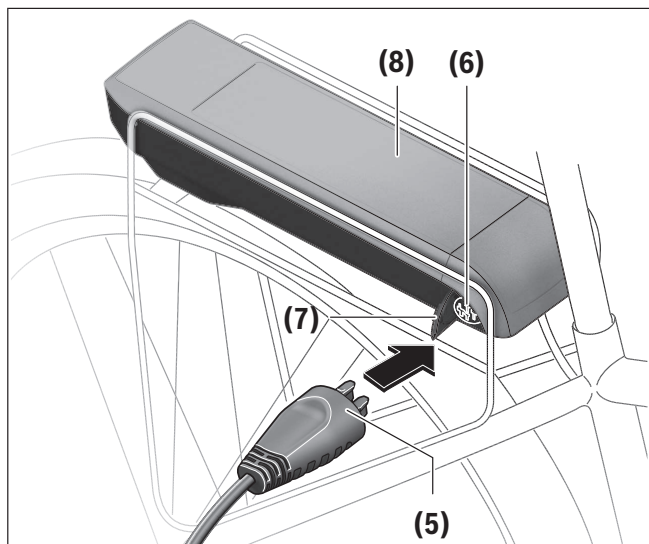


(5) Connecteur de charge

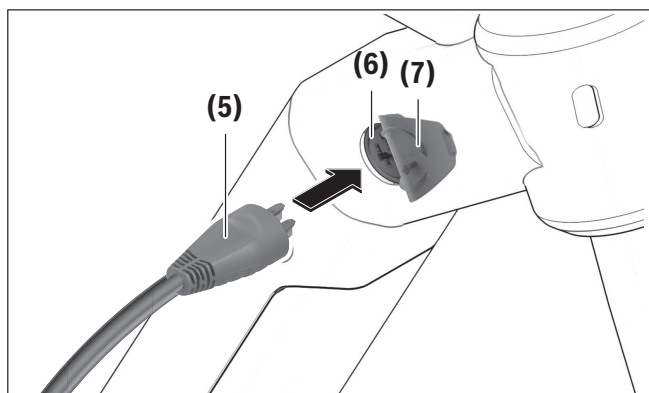
(6) Prise pour connecteur de charge

(7) Obturateur de la prise de charge

(11) Batterie standard



- (5) Connecteur de charge
- (6) Prise pour connecteur de charge
- (7) Obturateur de la prise de charge
- (8) Batterie de porte-bagages



- (5) Connecteur de charge
- (6) Prise pour connecteur de charge
- (7) Obturateur de la prise de charge

Éteignez la batterie. Nettoyez l'obturateur de la prise de charge (7). Évitez tout encrassement de la prise de charge et des contacts électriques, par ex. par du sable ou de la terre. Soulevez l'obturateur de la prise de charge (7) et reliez le connecteur de charge (5) à la prise de charge (6).

► **Observez toutes les consignes de sécurité lors de la charge de la batterie.** Si toutes les consignes

de sécurité ne peuvent pas être respectées, retirez la batterie de son support sur le vélo et chargez-la à un endroit approprié. Lisez et observez la notice d'utilisation de la batterie.

Processus de charge en présence de deux batteries

En présence de deux batteries sur le vélo, les deux batteries peuvent être rechargées au niveau de la prise électrique non obturée. Les deux batteries doivent d'abord être chargées successivement à env. 80-90 % puis en parallèle jusqu'à leur recharge complète (les LED des deux batteries clignotent).

Pendant la conduite, les deux batteries se déchargent en alternance.

Il est également possible de recharger séparément chaque batterie en la sortant de sa fixation.

Charge normale

La charge débute dès que le chargeur est connecté à la batterie ou à la prise de charge sur le vélo et au réseau d'alimentation électrique.

Remarque : Pour qu'une charge soit possible, il faut que la température de la batterie du VAE se trouve dans la plage de températures de charge admissible.

Remarque : Pendant la durée de la charge, l'unité d'entraînement est désactivée.

La charge de la batterie peut s'effectuer avec ou sans ordinateur de bord. En l'absence d'ordinateur de bord, le voyant lumineux d'état de charge de la batterie permet de suivre l'avancement du processus de charge.

Quand un ordinateur de bord est connecté, un message s'affiche sur l'écran.

Le niveau de charge est indiqué par le voyant lumineux (9) de la batterie et par les barres du symbole de batterie sur l'ordinateur de bord.

Lors de la charge, les LED de l'indicateur d'état de charge (9) de la batterie s'allument. Chaque LED allumée en permanence correspond à environ 20 % de

charge totale. La LED qui clignote indique la charge des 20 % suivants.

Une fois que la batterie du VAE est complètement chargée, les LED ainsi que l'ordinateur de bord s'éteignent. La charge est terminée. En cas d'actionnement de la touche Marche/Arrêt **(10)** de la batterie, le niveau de charge s'affiche pendant 3 secondes. Déconnectez le chargeur de la prise secteur et la batterie du chargeur.

La batterie s'éteint automatiquement au moment où elle est déconnectée du chargeur.

Remarque : Si la recharge a été effectuée sur le vélo, refermez ensuite avec précaution l'obturateur **(7)** de la prise de charge **(6)** afin d'éviter toute pénétration de saletés ou d'eau.

Si vous ne déconnectez pas la batterie du chargeur au terme de la charge, le chargeur se rallume automatiquement au bout de quelques heures afin de vérifier le niveau de charge de la batterie. Il se remet si nécessaire à charger.

Maintenance/nettoyage

- ▶ **N'ouvrez aucun élément. L'entretien doit uniquement être effectué par un revendeur eBike Bosch autorisé.** Le fait de ne pas respecter l'avertissement ci-dessus peut entraîner des blessures graves ou mortelles. Reportez-vous au manuel de votre vélo ou au manuel de l'élément pour tous les éléments ne faisant pas partie du système d'entraînement Bosch.
- ▶ **Ne rechargez pas et n'utilisez pas votre eBike dans une zone présentant une atmosphère potentiellement explosive, par exemple dans une station-service ou dans des zones dans lesquelles l'air contient des produits chimiques ou des particules (telles que des grains, de la poussière ou des poudres métalliques).** Respectez tous les panneaux et toutes les instructions.
- ▶ **Ne plongez pas vos composants eBike dans l'eau et ne les lavez pas avec un pulvérisateur haute**

pression. Votre unité d'entraînement Bosch est conçue pour être étanche à l'eau de pluie ou à un tuyau d'arrosage sans pression.

- ▶ **Ne peignez aucun élément du système d'entraînement Bosch car cela peut entraîner une défaillance prématurée de l'élément.**




Service après-vente et conseil utilisateurs

Pour toutes les questions concernant le système eBike et ses éléments, adressez-vous à un vélociste agréé.

Vous trouverez les données de contact de vélocistes agréés sur le site internet www.bosch-ebike.com.

Si la batterie ne fonctionne plus, adressez-vous à un vélociste agréé.

Résolution des problèmes

Cause	Remède
 <p>Batterie défectueuse</p>	<p>Deux LED de la batterie clignotent. Adressez-vous à un vélociste agréé.</p>
 <p>La batterie est trop chaude ou trop froide</p>	<p>Trois LED de la batterie clignotent. Déconnectez la batterie du chargeur jusqu'à ce qu'elle revienne dans la plage de températures de charge admissible. Ne rebranchez la batterie au chargeur qu'une fois qu'elle se trouve à nouveau dans la plage de températures admissible.</p>
 <p>Le chargeur ne charge pas.</p>	<p>Aucune LED ne clignote (selon le niveau de charge de la batterie du VAE, une ou plusieurs LED sont allumées en permanence). Adressez-vous à un vélociste agréé.</p>
<p>Recharge impossible (pas d'affichage sur la batterie)</p>	
<p>Le connecteur n'est pas correctement enfiché</p>	<p>Contrôlez tous les connecteurs.</p>
<p>Contacts de la batterie encrassés</p>	<p>Nettoyez avec précaution les contacts électriques de la batterie.</p>
<p>Prise de courant, câble ou chargeur défectueux</p>	<p>Vérifiez la tension du secteur, faites contrôler le chargeur par un vélociste.</p>
<p>Batterie défectueuse</p>	<p>Adressez-vous à un vélociste agréé.</p>

Programme de recyclage des accus



L'unité d'entraînement, l'ordinateur de bord et son unité de commande, la batterie, le capteur de vitesse, les accessoires et l'emballage doivent être triés afin d'être recyclés de façon respectueuse de l'environnement.

Ne jetez pas les systèmes eBike et leurs éléments constitutifs dans les ordures ménagères !



Pour recycler votre batterie Bosch, appelez le 1.800.822.8837.

Introducción	2
Acerca de las advertencias	2
Advertencias generales	2
Utilización de sus Instrucciones de servicio	2
Etiquetas de advertencia en el producto	4
Funcionamiento del cargador	5
Instrucciones de seguridad	5
Descripción del producto y especificaciones	7
Operación	9
Mantenimiento/Limpieza	11
Resolución de problemas	12
Programa de reciclaje de baterías	13

Introducción

Acerca de las advertencias

Este manual contiene muchos **PELIGROS**, **ADVERTENCIAS**, y **PRECAUCIONES** sobre las consecuencias de una falta de uso, montaje, mantenimiento, almacenamiento, inspección y eliminación de una eBike equipada por Bosch de modo seguro.

- La combinación del símbolo de alerta de seguridad y la palabra **PELIGRO** indica una situación peligrosa que, si no se evita, ocasionará la muerte o lesiones graves.
- La combinación del símbolo de alerta de seguridad y la palabra **ADVERTENCIA** indica una situación peligrosa que, si no se evita, podría provocar la muerte o lesiones graves.
- La combinación del símbolo de alerta de seguridad y la palabra **PRECAUCIÓN** indica una situación peligrosa que, si no se evita, podría ocasionar lesiones leves o moderadas.

Advertencias generales



Lea íntegramente todas las indicaciones de seguridad e instrucciones. No seguir las advertencias e instrucciones siguientes puede provocar la muerte o lesiones graves.

Guarde todas las indicaciones de seguridad e instrucciones para posibles consultas futuras.

El término **batería** empleado en este manual del usuario se refiere a todas las baterías para eBike originales de Bosch.

⚠ ADVERTENCIA

- ▶ **Este manual contiene información importante de seguridad, rendimiento y mantenimiento.** Léalo antes de usar su nueva bicicleta y guárdelo a modo de referencia. Puede encontrar el manual también en línea en www.bosch-ebike.com.

- ▶ **Este manual está previsto para su lectura junto con el manual de usuario aparte que venía con su bicicleta.** Antes de usar la bici por primera vez, asegúrese de leer toda la documentación facilitada, incluidas las etiquetas que lleva el producto.
- ▶ **Lea TODOS los manuales incluidos antes de montar en la bicicleta por primera vez.** Su sistema de accionamiento de Bosch incluye manuales y documentación adicionales proporcionados por el fabricante de la bicicleta y de otros componentes. No leer o desconocer la información de seguridad puede provocar la muerte o lesiones graves.
- ▶ **Por su propia SEGURIDAD, sea responsable.** Si tiene dudas o no entiende algo, consúltelo con su distribuidor o con el fabricante de la bicicleta o del componente.
- ▶ **Algunos accesorios de la eBike pueden suponer un peligro de atragantamiento para los niños pequeños.** Mantenga esos accesorios alejados de los niños.

⚠ CUIDADO

- ▶ **El sistema de accionamiento de Bosch incrementa el peso de su bicicleta, que puede que no esté acostumbrado a levantar.** Evite las lesiones; utilice técnicas de elevación adecuadas.

Utilización de sus Instrucciones de servicio

Además de las funciones aquí representadas, puede ser que se introduzcan en cualquier momento modificaciones de software para la eliminación de errores y para las ampliaciones de funciones.

Gráficos

La bicicleta que se muestra en este manual puede diferir ligeramente de la suya; no obstante, las similitu-

des son suficientes para ayudarle a entender nuestras instrucciones.

Los lados DERECHO e IZQUIERDO se indican mirando en el sentido que la bicicleta tendrá al circular hacia delante. Si ve una línea discontinua (-----), el elemento al que se refiere está oculto a la vista.

Etiquetas de advertencia en el producto

A

eBike Battery Charger 36-4/100-230
0 275 007 906
 Input: 100V - 230V ~ 50-60Hz 2.2A
 Output: 36V= 4A
 Made in PRC
 Robert Bosch GmbH, Reutlingen
 BFP

This device complies with part 15 of the FCC Rules. Operation is subject to the following two conditions: (1) This device may not cause harmful interference, and (2) this device must accept any interference received, including interference that may cause undesired operation.

WARNING For safe operation see manual. Risk of electric shock. Dry location use only. Charge only batteries of the Bosch eBike Systems. Other batteries may burst causing personal damage. Do not replace the plug assembly as risk of fire or electric shock may result.

ADVERTENCIA Para un funcionamiento con seguridad, ver el manual Peligro de sacudida eléctrica. Utilice solamente en lugares secos. Cargar únicamente baterías de sistemas eBike de Bosch. Otras baterías podrían reventar, causando lesiones personales y daños. No reemplace el ensamblaje del enchufe, ya que el resultado puede ser riesgo de incendio o sacudidas eléctricas.

AVERTISSEMENT Pour un fonctionnement sûr, reportez-vous au manuel. Risque de choc électrique. Utiliser en lieu sec uniquement. A utiliser uniquement avec les batteries des systèmes d'assistance électrique eBike de Bosch. D'autres batteries risqueraient d'éclater et de causer des blessures corporelles et des dommages. Ne pas remplacer la connectique car un risque d'incendie ou de choc électrique pourrait en résulter.

UL US LISTED BATTERY CHARGER E472024
 SF 170593 BC
 CE
 SI

B

eBike Battery Charger 36-2/100-240
0 275 007 915 Compact Charger
 Input: 100-240V ~ 50/60Hz 1.6A
 Output: 36V= 2A
 Made in PRC
 Robert BOSCH GmbH, Reutlingen
 BFP

This device complies with part 15 of the FCC Rules. Operation is subject to the following two conditions: (1) This device may not cause harmful interference and (2) this device must accept any interference received, including interference that may cause undesired operation.

WARNING For safe operation see manual. Risk of electric shock. Indoor use only. Charge only batteries of the Bosch eBike Systems. Other batteries may burst causing personal damage. Do not replace the plug assembly as risk of fire or electric shock may result.

ADVERTENCIA Para un funcionamiento con seguridad, ver el manual Peligro de sacudida eléctrica. Utilice solamente en lugares secos. Cargar únicamente baterías de sistemas eBike de Bosch. Otras baterías podrían reventar, causando lesiones personales y daños. No reemplace el ensamblaje del enchufe, ya que el resultado puede ser riesgo de incendio o sacudidas eléctricas.

AVERTISSEMENT Pour un fonctionnement sûr, reportez-vous au manuel. Risque de choc électrique. Utiliser en lieu sec uniquement. A utiliser uniquement avec les batteries des systèmes d'assistance électrique eBike de Bosch. D'autres batteries risqueraient d'éclater et de causer des blessures corporelles et des dommages. Ne pas remplacer la connectique car un risque d'incendie ou de choc électrique pourrait en résulter.

UL US LISTED BATTERY CHARGER E000000
 SF 170593 BC
 CE
 SI

Li-Ion USE ONLY with BOSCH Li-Ion batteries

A Cargador de amplio alcance

B Cargador compacto

En la parte inferior del cargador (marcada con el número **(4)** en la figura de la página de gráficos) hay una versión abreviada de las advertencias de seguridad en inglés, francés y español con el contenido siguiente:

- Consulte el manual para garantizar funcionamiento seguro.
- Riesgo de descarga eléctrica
- Solo para uso en interiores
- Cargue únicamente baterías del sistema eBike de Bosch. Otras baterías podrían explotar y provocar daños personales.
- No reemplace el conjunto de conexión ya que podría producirse un incendio o descarga eléctrica.

Funcionamiento del cargador

Instrucciones de seguridad

INSTRUCCIONES DE SEGURIDAD IMPORTANTES.

CONSERVE ESTAS INSTRUCCIONES –

Este manual contiene instrucciones de seguridad y de funcionamiento importantes para este cargador de batería.

- ▶ Antes de utilizar el cargador de batería, lea todas las instrucciones y medidas de protección incluidas en el cargador de batería, en la batería y el producto que utiliza la batería.

CUIDADO

- ▶ **Para evitar el riesgo de daños, cargue únicamente baterías del sistema eBike de Bosch.** Otras baterías podrían explotar y provocar lesiones y daños personales.



Lea y conozca todas las indicaciones de seguridad y las instrucciones. No seguir

las advertencias siguientes puede provocar la muerte o lesiones graves.

Guarde todas las indicaciones de seguridad e instrucciones para posibles consultas futuras.

El término **batería** empleado en este manual del usuario se refiere a todas las baterías para eBike originales de Bosch.

PELIGRO

- ▶ **Cargue únicamente baterías de iones de litio de eBike autorizadas por Bosch. El voltaje de la batería debe coincidir con el voltaje de carga de la batería del cargador.** De lo contrario, existe riesgo de incendio y explosión.



Mantenga el cargador alejado de la lluvia o la humedad. La penetración de

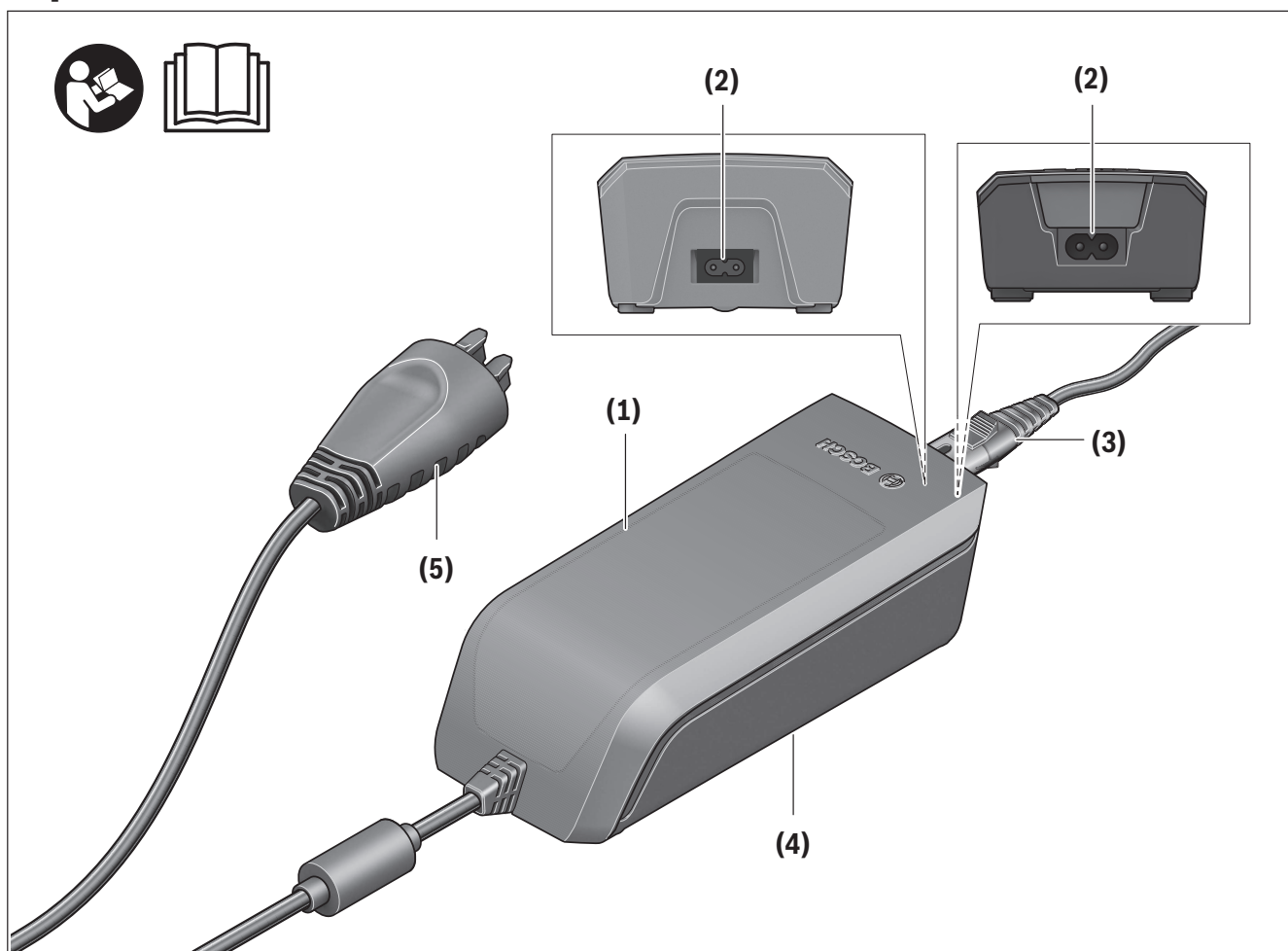
agua en el cargador comporta un mayor riesgo de electrocución.

ADVERTENCIA

- ▶ **Utilice únicamente el cargador de batería de Bosch suministrado con su eBike u otro autorizado para su eBike por el fabricante y comprado de una fuente de confianza.** Prescindir del cargador de la batería o utilizar un cargador no aprobado o falso, puede provocar la muerte o lesiones graves.
- ▶ **Mantenga limpio el cargador de la batería.** La contaminación puede provocar el riesgo de descarga eléctrica. Límpielo únicamente con un paño húmedo (jabón suave/agua).
- ▶ **Antes de cualquier uso, compruebe el cargador, el cable y el enchufe. No utilice el cargador, si detecta daños. No abra el cargador.** Cargadores, cables y enchufes dañados comportan un mayor riesgo de electrocución.
- ▶ **No opere el cargador sobre superficies fácilmente inflamables (por ejemplo, papel, tejidos, etc.) o en un entorno inflamable.** Debido al calentamiento del cargador durante la carga, existe peligro de incendio.
- ▶ **Proceda con cuidado cuando toque el cargador durante el proceso de carga. Utilice guantes de protección.** El cargador puede llegar a calentarse fuertemente, especialmente si la temperatura ambiente es alta.
- ▶ **Si se daña el acumulador o se utiliza de forma indebida, pueden salir vapores. En tal caso, busque un entorno con aire fresco y acuda a un médico si nota molestias.** Los vapores pueden irritar las vías respiratorias.
- ▶ **Mantenga el cargador y el acumulador alejados de cualquier material inflamable. Cargue los acumuladores siempre en lugares secos y protegidos contra incendios.** Existe riesgo de incendio si se produce un aumento de la temperatura durante la carga.

- ▶ **No debe dejarse cargando la batería de la eBike sin la debida vigilancia.**
- ▶ **Los acumuladores no deben estar expuestos a golpes mecánicos.** Existe el riesgo de que el acumulador se dañe.
- ▶ **Mantenga alejado el cargador de la batería de los niños.** De esta manera, los niños no podrán jugar con el cargador.
- ▶ **Las personas que no sean capaces de manejar el cargador de forma segura debido a sus limitaciones físicas, sensoriales o mentales, o por su falta de experiencia o conocimientos, solo podrán utilizarlo bajo supervisión o después de haber sido instruidas por una persona responsable.** De lo contrario, existe el riesgo de que se produzcan errores de manejo y lesiones.
- ▶ **Lea y siga todas las indicaciones de seguridad e instrucciones de todos los manuales de uso del sistema eBike, así como las instrucciones de uso de su eBike.**

Descripción del producto y especificaciones



Características del producto

- (1) Cargador
- (2) Conector hembra del aparato
- (3) Enchufe del aparato
- (4) Instrucciones de seguridad del cargador
- (5) Conector del cargador

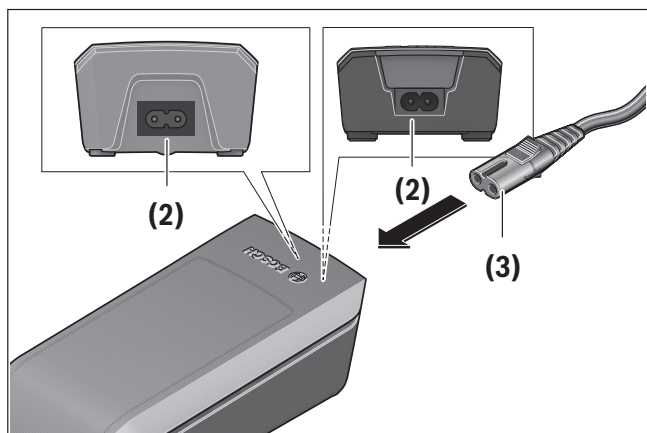
Datos técnicos

Cargador		Cargador de amplio alcance (36-4/100-230)	Cargador compacto (36-2/100-240)
Código de producto		BCS210	BCS230
Tensión nominal	V~	90-264	90-264
Frecuencia	Hz	47-63	47-63
Tensión de carga de acumulador	V=	36	36
Corriente de carga (máx.)	A	4	2
Tiempo de carga			
– PowerPack 400, aprox.	h	3,5	6,5
– PowerPack 500, aprox.	h	4,5	7,5
Temperatura de servicio	°F	+32...+104	+32...+104
Temperatura de almacenamiento	°F	+14...+122	+14...+122
Peso, aprox.	lb	1,8	1,3
Grado de protección		IP 40	IP 40
Cable de red			
Número de referencia			1 270 020 343
Tensión nominal – Cable	V~		300
Tensión nominal – Conector/conectador enchufable	V~		125
Corriente nominal – Conector/conectador enchufable	A		10
Material – Cable			PVC
Estándar de seguridad – Cable			UL 62
Estándar de seguridad – Conector/conectador enchufable			UL 817
Longitud aprox.	m		1,8

Operación

Puesta en marcha

Conexión del cargador a la red eléctrica

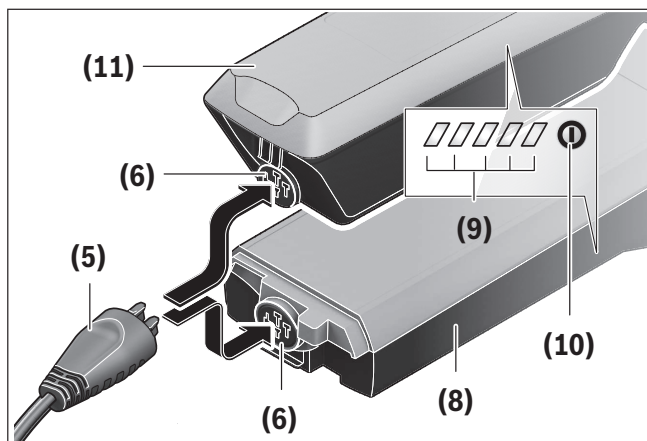


► **¡Tenga en cuenta el voltaje de la casa!** El voltaje del suministro debe corresponderse con las especificaciones que figuran en la placa de características del cargador de la batería.

Inserte el conector macho **(3)** del cable de red en el conector hembra **(2)** del cargador.

Conecte el enchufe (específico de cada país) a la red. Utilice únicamente la conexión de entrada suministrada: cable de alimentación estándar CA **(3)** en el diagrama) al conectarlo al suministro eléctrico de la casa.

Carga del acumulador extraído



(5) Conector del cargador

(6) Conector hembra para el cargador

(8) Acumulador para portaequipajes

(9) Indicador del estado de funcionamiento y de carga

(10) Tecla de conexión/desconexión del acumulador

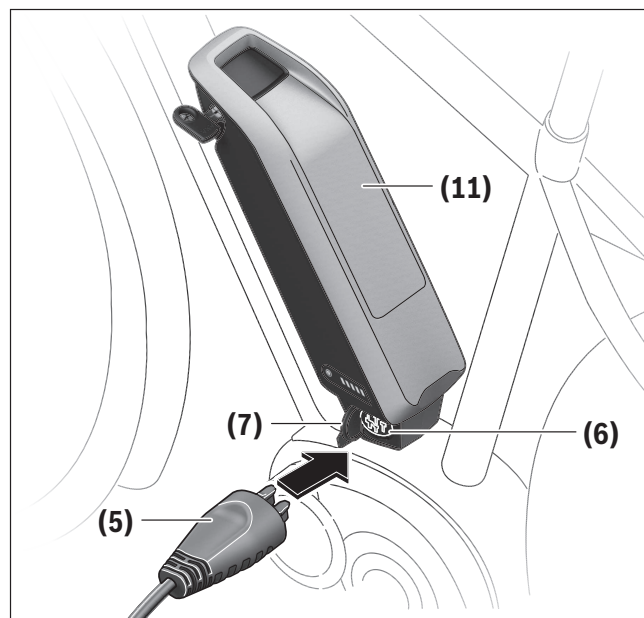
(11) Acumulador estándar

Desconecte el acumulador y retírelo del soporte en la eBike. Para ello lea y atégase a las instrucciones de uso del acumulador.

► **Solamente coloque el acumulador sobre superficies limpias.** Ponga especial cuidado de no ensuciar el conector hembra para carga ni los contactos, p.ej. con arena o tierra.

Inserte el conector macho para carga **(5)** del cargador en el conector hembra **(6)** del acumulador.

Carga del acumulador en la bicicleta

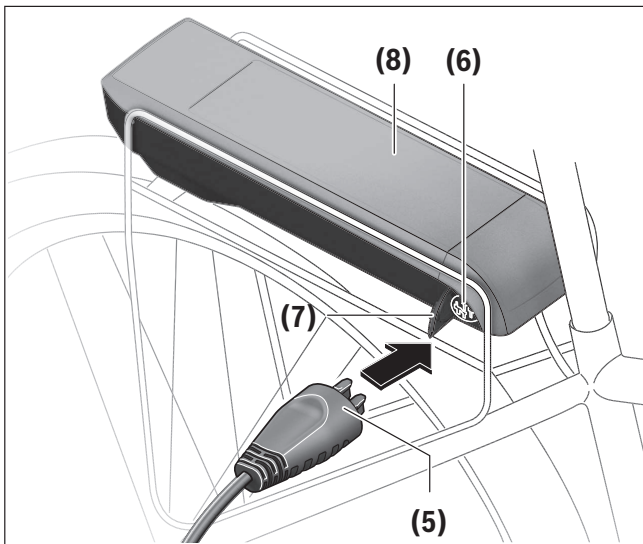


(5) Conector del cargador

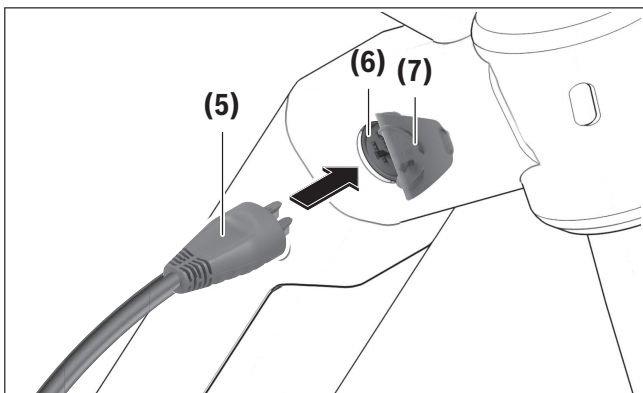
(6) Conector hembra para el cargador

(7) Tapa de conector de carga

(11) Acumulador estándar



- (5) Conector del cargador
- (6) Conector hembra para el cargador
- (7) Tapa de conector de carga
- (8) Acumulador para portaequipajes



- (5) Conector del cargador
- (6) Conector hembra para el cargador
- (7) Tapa de conector de carga

Apague el acumulador. Limpie la cubierta del conector hembra para carga (7). Ponga especial cuidado de no ensuciar el conector hembra para carga ni los contactos, p.ej. con arena o tierra. Levante la cubierta del conector hembra para carga (7) y conecte el conector macho para carga (5) al conector hembra para carga (6).

► **Cargue el acumulador teniendo en cuenta todas las indicaciones de seguridad.** Si esto no fuese posible, extraiga el acumulador del soporte y cárguelo en un lugar más apropiado. Para ello lea y atégase a las instrucciones de uso del acumulador.

Ciclo de carga con dos baterías instaladas

Si la eBike dispone de dos acumuladores instalados, pueden cargarse los dos a través de la conexión que no ha sido cerrada. En primer lugar, los dos acumuladores se cargan uno tras otro hasta aprox. el 80-90 % y, a continuación, se cargan por completo en paralelo (los LEDs de los dos acumuladores parpadean).

Durante el servicio, los acumuladores se descargan alternadamente.

Si extrae los acumuladores de sus soportes, podrá cargar cada acumulador por separado.

Proceso de carga

El proceso de carga comienza, en cuanto el cargador está conectado con el acumulador o con el conector hembra para carga en la bicicleta y con la red eléctrica.

Indicación: El proceso de carga solamente puede realizarse, si la temperatura del acumulador de la eBike se encuentra en el rango de temperatura de carga permitido.

Indicación: Durante el proceso de carga se desactiva la unidad de accionamiento.

Es posible cargar el acumulador con y sin ordenador de a bordo. Sin ordenador de a bordo, el proceso de carga puede observarse mediante el indicador del estado de carga del acumulador.

Con un ordenador de a bordo conectado, aparecerá un mensaje correspondiente en la pantalla.

El estado de carga se indica mediante el indicador del estado de carga del acumulador (9) en el acumulador y mediante barras en el ordenador de a bordo.

Durante el proceso de carga están encendidos los LEDs del indicador del estado de carga del acumula-

dor **(9)** en el acumulador. Cada LED permanentemente encendido equivale a un 20 % de la capacidad de carga. El LED parpadeante indica la carga del siguiente 20 %.

Cuando la batería de la eBike está cargado por completo, los LED se apagan de inmediato y el ordenador de a bordo se desconecta. El proceso de carga finaliza. El estado de carga se puede visualizar durante 3 segundos pulsando la tecla de conexión/desconexión **(10)** en la batería de la eBike.

Desconecte el cargador de la red y el acumulador del cargador.

Al desconectar del cargador el acumulador éste último se desconecta automáticamente.

Indicación: Si ha realizado la carga en la bicicleta, una vez terminado el proceso de carga cierre con cuidado el conector hembra para carga **(6)** con la cubierta **(7)** para que no entre suciedad ni agua.

En caso de no desconectar el cargador del acumulador tras la carga, el cargador se vuelve a encender transcurridas unas horas para comprobar el estado de carga del acumulador y comenzar de nuevo la carga si fuese necesario.

Mantenimiento/Limpieza

- ▶ **No abra ninguno de los componentes. El mantenimiento debe llevarse a cabo exclusivamente por parte de un distribuidor de eBike de Bosch autorizado.** El incumplimiento de la advertencia anterior puede causar la muerte o lesiones graves. Consulte su manual de la bicicleta o de aquellos componentes del sistema de accionamiento que no sean de Bosch.
- ▶ **No cargue ni utilice la eBike en lugares con una atmósfera potencialmente explosiva, como gasolineras, ni en zonas en las que el aire contenga productos químicos o partículas (como semillas, polvo o polvo de metales).** Obedezca todas las señales e instrucciones.

▶ **No sumerja los componentes eBike en el agua ni los limpie con una manguera a presión.** El accionamiento de Bosch está diseñado para ser impermeable al agua de lluvia o a una limpieza con manguera sin presión.

▶ **No pinte los componentes del sistema de accionamiento de Bosch, ya que eso podría causar un fallo temprano de los mismos.**




Servicio técnico y atención al cliente

En caso de cualquier consulta sobre el sistema eBike y sus componentes, diríjase a un distribuidor de bicicletas autorizado.

Los detalles de contacto de los distribuidores de bicicletas autorizados se pueden encontrar en el sitio web www.bosch-ebike.com.

Si su acumulador ya no funciona acuda por favor a una tienda de bicicletas autorizada.

Resolución de problemas

Causa	Remedio
 <p>Acumulador defectuoso</p>	<p>Dos LEDs en el acumulador parpadean.</p> <p>Póngase en contacto con un distribuidor de bicicletas autorizado.</p>
 <p>Acumulador demasiado caliente o frío</p>	<p>Tres LEDs en el acumulador parpadean.</p> <p>Desconectar el acumulador del cargador hasta que se alcance el rango de temperatura de carga.</p> <p>No conecte de nuevo el acumulador al cargador hasta que haya alcanzado la temperatura de carga correcta.</p>
 <p>El cargador no carga.</p>	<p>No parpadea ningún LED (en función del estado de carga de la batería de la eBike se iluminan permanentemente uno o varios LED).</p> <p>Póngase en contacto con un distribuidor de bicicletas autorizado.</p>
<p>No es posible cargar (ninguna indicación en el acumulador)</p>	
Enchufe incorrectamente introducido	Verificar todas las conexiones por enchufe.
Contactos del acumulador, sucios	Limpiar con cuidado los contactos del acumulador.
Toma de corriente, cable o cargador defectuoso	Comprobar la tensión de la red; dejar revisar el cargador por parte del distribuidor de bicicletas.
Acumulador defectuoso	Póngase en contacto con un distribuidor de bicicletas autorizado.

Programa de reciclaje de baterías



La unidad de accionamiento, el ordenador de a bordo incl. la unidad de mando, el acumulador, el sensor de velocidad, los accesorios y los embalajes deben reciclarse de forma respetuosa con el medio ambiente.

¡No arroje eBikes y sus componentes a la basura!



Puede reciclar su paquete de baterías de Bosch llamando al 1.800.822.8837.