

## Active Line/Active Line Plus/Performance Line

Cette notice contient d'importantes informations sur la sécurité, les performances et l'entretien. Lisez-les et comprenez-les ainsi que les informations fournies par le fabricant de votre vélo avant d'utiliser le produit, et conservez-les pour référence ultérieure.

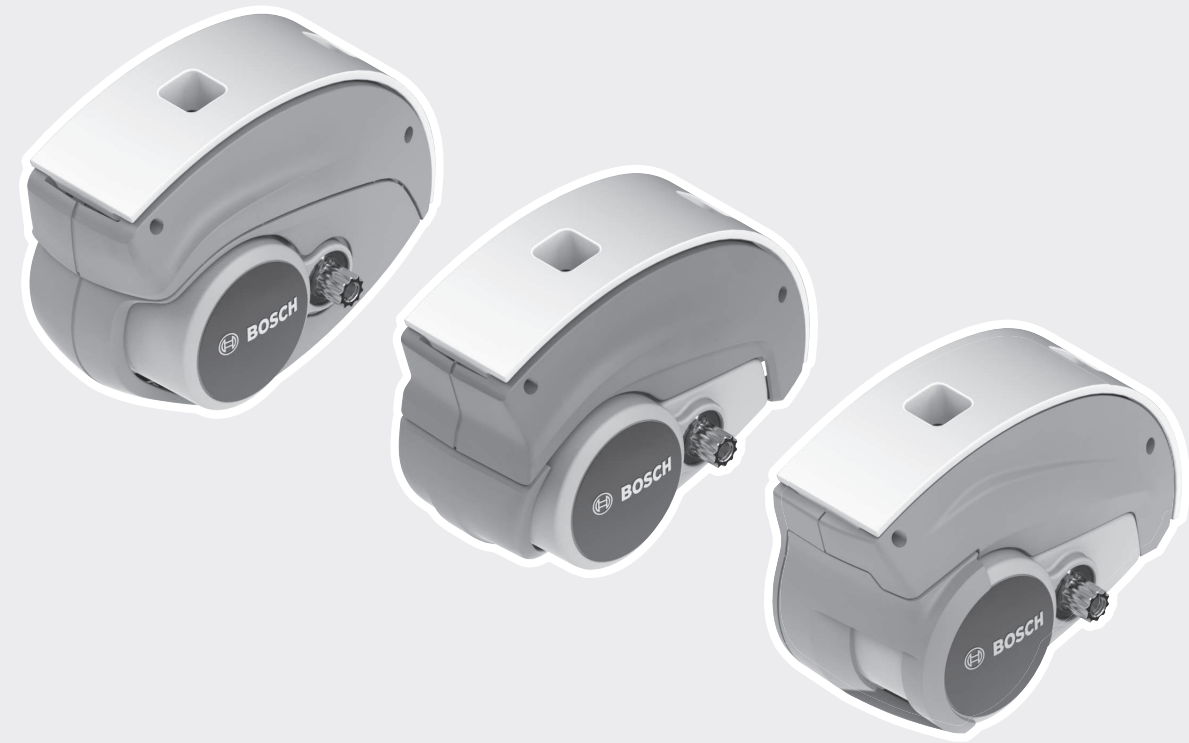
Robert Bosch GmbH  
72757 Reutlingen  
Germany

[www.bosch-ebike.com](http://www.bosch-ebike.com)

0 275 U07 XD3 (2019.02) T / 35

Este manual contiene información importante de seguridad, rendimiento y mantenimiento. Léalo y asegúrese de entenderlo junto con la información que le ha facilitado el fabricante de su bicicleta antes de usar el producto; guárdelo a modo de referencia.

## Active Line/Active Line Plus/Performance Line



## Owner's Manual – The Bosch Drive System Drive Unit

BDU330 | BDU380 | BDU385



- en Original operating instructions
- fr Notice d'utilisation d'origine
- es Instrucciones de servicio originales

**This manual contains important safety, performance and service information. Read and understand it along with the information provided to you by your bicycle manufacturer before using the product, and keep it for reference.**



<b>Introduction</b> .....	<b>2</b>
<b>About Warnings</b> .....	<b>2</b>
<b>General Warnings</b> .....	<b>2</b>
<b>Using your Manual</b> .....	<b>2</b>
<b>Operating your Bosch drive unit</b> .....	<b>3</b>
<b>Safety instructions</b> .....	<b>3</b>
<b>Product description and specifications</b> .....	<b>5</b>
<b>Assembly</b> .....	<b>6</b>
<b>Operation</b> .....	<b>6</b>
<b>Maintenance/Cleaning</b> .....	<b>9</b>

# Introduction

## About Warnings

This manual contains many **DANGER**, **WARNING**, and **CAUTION** indicators concerning the consequences of failure to use, assemble, maintain, store, inspect and dispose of a Bosch-equipped eBike in a safe manner.

- The combination of the safety alert symbol and the word **DANGER** indicates a hazardous situation that, if not avoided, will result in death or serious injury.
- The combination of the safety alert symbol and the word **WARNING** indicates a hazardous situation that, if not avoided, could result in death or serious injury.
- The combination of the safety alert symbol and the word **CAUTION** indicates a hazardous situation that, if not avoided, could result in minor or moderate injury.

## General Warnings



**Read all safety warnings and all instructions.** Failure to follow the warnings and instructions may result in death or serious injury.

**Save all safety warnings and instructions for future reference.**

The term **battery pack** used in these operating instructions refers to all original Bosch eBike battery packs.



**WARNING**

- ▶ **This manual contains important safety, performance and service information.** Read it before you take the first ride on your new bicycle, and keep it for reference. The manual can also be found online at [www.bosch-ebike.com](http://www.bosch-ebike.com).
- ▶ **This manual is intended to be read together with the separate user manual provided with your bi-**

**cycle.** Be sure to read all provided documents including labels on the product before your first ride.

- ▶ **Read ALL accompanying manuals before riding the bike for the first time.** Your Bosch Drive System comes with additional manuals and documents provided by the manufacturer of the bicycle and other components. Failure to read and understand safety information can result in death or serious injury.
- ▶ **Take responsibility for your own SAFETY.** If you have any questions or do not understand something, consult with your dealer or the bicycle or component manufacturer.
- ▶ **Some eBike accessories may present a choking hazard to small children.** Keep these accessories away from children.



**CAUTION**

- ▶ **The Bosch Drive System adds weight to your bicycle which you may not be used to lifting.** Avoid injury, use proper lifting techniques.

## Using your Manual

In addition to the functions shown here, changes to software relating to troubleshooting and functional enhancements may be introduced at any time.

## Graphics

The bicycle shown in this manual may differ slightly from your bicycle, but will be similar enough to help you understand our instructions.

RIGHT-HAND and LEFT-HAND sides are determined by facing in the direction the bicycle will travel when going forward. When you see a broken line (-----), the item referred to is hidden from view.

# Operating your Bosch drive unit

## Safety instructions



**Read and understand all safety warnings and instructions.** Failure to follow the below warnings could result in death or serious injury.

### Save all safety warnings and instructions for future reference.

The term **battery pack** used in these operating instructions refers to all original Bosch eBike battery packs.

- ▶ **Do not attempt to change – in particular, to increase – the power of your drive or the maximum speed that it supports.** Doing this may put yourself and others at risk, and you could also breach statutory regulations.
- ▶ **Do not open the drive unit yourself. The drive unit must only be repaired by qualified personnel using only original spare parts.** This will ensure that the safety of the drive unit is maintained. Unauthorized opening of the drive unit will render warranty claims null and void.
- ▶ **All components fitted to the drive unit and all other components of the eBike drive (e.g. chainring, chainring receptacle, pedals) must only be replaced with identical components or components that have been specifically approved by the manufacturer for your eBike.** This will protect the drive unit from overloading and becoming damaged.
- ▶ **Remove the battery from the eBike before beginning work (e.g. inspection, repair, assembly, maintenance, work on the chain, etc.) on the eBike, transporting it with a car or airplane, or storing it.** Unintentional activation of the eBike system poses a risk of injury.
- ▶ **The eBike system can be activated by pushing the eBike backwards or by turning the pedals backwards.**
- ▶ **The push assistance function must only be used when pushing the eBike.** There is a risk of injury if the wheels of the eBike are not in contact with the ground while using the push assistance.
- ▶ **When the push assistance is activated, the pedals may turn at the same time.** When the push assistance function is activated, make sure that there is enough space between your legs and the turning pedals to avoid the risk of injury.
- ▶ **After a ride, do not allow your unprotected hands or legs to come into contact with the housing of the drive unit.** Under extreme conditions, such as continuously high torques at low travel speeds, or when riding up hills or carrying loads, very high temperatures may be reached on the housing.  
The temperatures that may be reached on the drive unit housing are influenced by the following factors:
  - Ambient temperature
  - Ride profile (route/gradient)
  - Ride duration
  - Assistance modes
  - User behavior (personal effort)
  - Total weight (rider, eBike, luggage)
  - Motor cover on the drive unit
  - Heat dissipation properties of the bicycle frame
  - Type of drive unit and type of gear-shifting
- ▶ **Use only original Bosch batteries that the manufacturer has approved for your eBike.** Using other batteries can lead to injuries and pose a fire hazard. Bosch accepts no liability or warranty claims if other batteries are used.
- ▶ **Do not make any modifications to your eBike system or fit any other products that might increase the performance of your eBike system.**

Doing so will generally reduce the service life of the system and risks damaging the drive unit and the bike. You also run the risk of losing the guarantee and warranty claims on the bicycle you have purchased. By handling the system improperly you are also endangering your safety and that of other road users, thus running the risk of high personal liability costs and possibly even criminal prosecution in the event of accidents that can be attributed to manipulation of the bicycle.



**Under extreme conditions, such as continuously high loads at low speed when riding up hills or carrying loads, parts of the drive unit can reach temperatures in excess of 60 °C.**

- ▶ **Please observe all local, state and federal regulations when registering and using eBikes.**
- ▶ **Read and observe the safety warnings and instructions in all operating instructions of the eBike system and your eBike.**

### **Privacy notice**

When you connect the eBike to the Bosch Diagnostic-Tool, data about the eBike drive unit (e.g. energy consumption, temperature, etc.) is transferred to Bosch eBike Systems (Robert Bosch GmbH) for the purposes of product improvement. You can find more information about this on the Bosch eBike website at [www.bosch-ebike.com](http://www.bosch-ebike.com).

## Product description and specifications

### Intended use

The drive unit is intended exclusively for driving your eBike and must not be used for any other purpose. In addition to the functions shown here, changes to software relating to troubleshooting and functional enhancements may be introduced at any time.

### Technical data

Drive unit		Active Line	Active Line Plus	Performance Line
Product code		BDU330	BDU380	BDU385
Continuous rated power	W	250	250	250
Torque at drive, max.	Nm	40	50	65
Rated voltage	V=	36	36	36
Operating temperature	°F	+23 to +104	+23 to +104	+23 to +104
Storage temperature	°F	+14 to +122	+14 to +122	+14 to +122
Protection rating		IP 54 (dust- and splash-proof)	IP 54 (dust- and splash-proof)	IP 54 (dust- and splash-proof)
Weight, approx.	kg	3	3.3	3.5

The Bosch eBike system uses FreeRTOS (see <http://www.freertos.org>).

Bicycle lights <sup>A)</sup>	
Voltage approx. <sup>B)</sup>	V= 12
Maximum power	
– Front light	W 17.4
– Rear light	W 0.6

<sup>A)</sup> Depends on legal regulations, not possible in all country-specific models via the eBike battery

<sup>B)</sup> When changing the bulbs, ensure that they are compatible with the Bosch eBike system (ask your bicycle dealer) and are suitable for the specified voltage. Bulbs must only be replaced with bulbs of the same voltage.

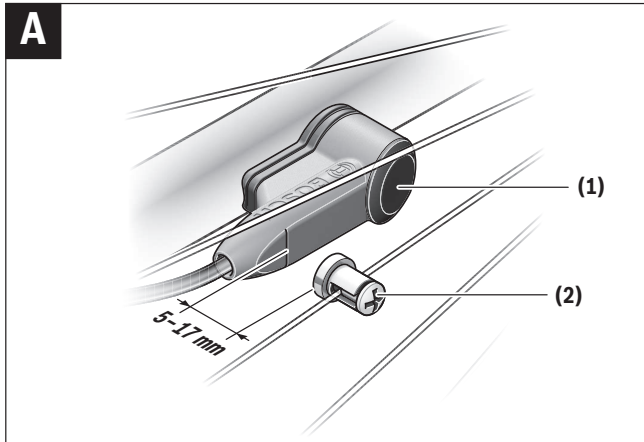
**Inserting a bulb incorrectly can cause it to blow.**

## Assembly

### Inserting and removing the battery

For inserting and removing the eBike battery in/from the eBike, please read and observe the battery operating instructions.

### Check speed sensor



(1) Speed sensor

(2) Spoke magnet

The speed sensor (1) and its spoke magnet (2) must be fitted such that the spoke magnet moves past the speed sensor at a distance of at least 5 mm and at most 17 mm with each rotation of the wheel.

**Note:** If the distance between the speed sensor (1) and the spoke magnet (2) is too small or too large, or if the speed sensor (1) is not properly connected, the speedometer display will fail and the eBike drive unit will operate in emergency mode.

Should this occur, loosen the screw of the spoke magnet (2) and fasten the spoke magnet to the spoke such that it runs past the marking on the speed sensor at the correct clearance. If the speed is still not being indicated on the speedometer display after doing this, please contact an authorized bicycle dealer.

## Operation

### Start-up

#### Requirements

The eBike system can only be activated when the following requirements are met:

- A sufficiently charged battery is inserted (see battery operating instructions).
- The on-board computer is properly inserted in the holder (see on-board computer operating instructions).
- The speed sensor is correctly connected. Checking the speed sensor (see figure A).

#### Switching the eBike system on/off

The following options are available for **switching on** the eBike system:

- If the on-board computer is already switched on when you insert it into the holder, the eBike system will be automatically activated.
- When the on-board computer and the eBike battery are inserted, briefly press the on/off button of the on-board computer.
- With the on-board computer inserted, press the on/off button on the eBike battery (some bicycle manufacturer-specific solutions prevent access to the battery on/off button; see the battery operating instructions).

The drive is activated as soon as you start pedaling (except for in the push assistance function, Switching the push assistance on/off). The motor output depends on which assistance level is set on the on-board computer.

As soon as you stop pedaling when in normal operation, or as soon as you have reached a speed of **20 mph**, the eBike drive unit switches off the assistance. The drive is automatically re-activated as soon you start pedaling again and the speed is below **20 mph**.



The following options are available for **switching off** the eBike system:

- Press the on/off button of the on-board computer.
- Switch off the eBike battery using its on/off button (some bicycle manufacturer-specific solutions prevent access to the battery on/off button; see the bicycle manufacturer operating instructions).
- Remove the on-board computer from its holder.

If the eBike is not moved for approx. ten minutes **and** no button is pressed on the on-board computer, the eBike system switches off automatically in order to save energy.

### eShift (optional)

eShift is the integration of electronic gear-shifting systems into the eBike system. The eShift components are electrically connected to the drive unit by the manufacturer. The separate operating instructions describe how to operate the electronic gear-shifting systems.

### Setting the assistance level

You can set the level at which the eBike drive assists you while pedaling on the on-board computer. The assistance level can be changed at any time, even while cycling.

**Note:** In some models, the assistance level may be preset and cannot be changed. There may also be fewer assistance levels available than stated here.

The following assistance levels are available as a maximum:

- **OFF:** Motor assistance is switched off. The eBike can just be moved by pedaling, as with a normal bicycle. The push assistance cannot be activated at this assistance level.
- **ECO:** Effective assistance with maximum efficiency, for maximum range
- **TOUR:** Steady assistance, long range for touring
- **SPORT/eMTB:**
  - SPORT:** Powerful assistance, for mountain biking and for cycling in urban traffic
  - eMTB:** Optimum assistance whatever the terrain, rapid acceleration when starting from a standstill, improved dynamics, top performance (**eMTB** is only available in combination with drive units BDU250P CX, BDU365, BDU450 CX and BDU480 CX. This also requires a software update.)
- **TURBO:** Maximum assistance even at high pedaling speeds, for biking sports

The requested motor output appears on the display of the on-board computer. The maximum motor output depends on which assistance level is selected.

Assistance level	Assistance factor <sup>A)</sup>		
	Active Line (BDU330)	Active Line Plus (BDU380)	Performance Line (BDU385)
<b>ECO</b>	40 %	40 %	55 %
<b>TOUR</b>	100 %	100 %	120 %
<b>SPORT/eMTB</b>	150 %	180 %	200/120 % to 300 % <sup>B)</sup>
<b>TURBO</b>	250 %	270 %	300 %

<sup>A)</sup> The assistance factor may vary in some models.

<sup>B)</sup> Maximum value

### Switching the push assistance on/off

The push assistance aids you when pushing your eBike. The speed of this function depends on the se-

lected gear and can reach a maximum of **3.7 mph**. The lower the selected gear, the lower the speed of the push assistance function (at full power).

► **The push assistance function must only be used when pushing the eBike.** There is a risk of injury if the wheels of the eBike are not in contact with the ground while using the push assistance.

To **activate** the push assistance, briefly press the **WALK** button on your on-board computer. After activation, press the **+** button within 3 s and keep it pressed. The eBike drive is switched on.

**Note:** The push assistance cannot be activated at assistance level **OFF**.

The push assistance is **switched off** as soon as one of the following occurs:

- You release the **+** button;
- the wheels of the eBike are locked (e.g. by applying the brakes or hitting an obstacle);
- the speed exceeds **3.7 mph**.

The push assistance function is subject to local regulations; the way it works may therefore differ from the description above. It can also be deactivated.

### **Switching bicycle lights on/off**

On the model where the bike lights are powered by the eBike system, the front light and taillight can be switched on and off at the same time via the on-board computer.

## Maintenance/Cleaning

### **⚠ WARNING**

- ▶ **Do not open any of the components. Service should only be carried out at an authorized Bosch eBike dealer.** Failure to follow above warning can cause death or serious injury. Refer to your bicycle manual or component manual for all non-Bosch drive system components.
- ▶ **Always remove the battery pack before performing any bicycle inspection, maintenance or repair.** Failure to remove the battery pack before performing bicycle inspection, maintenance or repair can lead to serious injury.
- ▶ **If you suspect that something is loose, do not ride your bike.** See your Bosch eBike dealer, only a qualified service provider should perform work on your Bosch Drive System. All nuts, bolts, screws require the correct tightening force. Too little force and the fastener may not hold securely. Too much force and the fastener can strip threads, stretch, deform or break. Either way, incorrect tightening force can result in component failure, which can cause you to lose control and fall.
- ▶ **If replacing your battery, buy only a genuine Bosch battery pack from an approved source. See your Bosch eBike dealer for original Bosch parts.**
- ▶ **Always switch the battery pack off, when inserting or removing it from the holder.** Never attempt to insert or remove the battery pack while riding the bike.
- ▶ **Do not charge or use your eBike in any area with a potentially explosive atmosphere, such as at a fueling area, or in areas where the air contains chemicals or particles (such as grain, dust, or metal powders).** Obey all signs and instructions.
- ▶ **Do not submerge your eBike components in water, or wash with pressurized hose.** Your Bosch

drive unit is designed to be water tight to rain water or non-pressure hose washing.

- ▶ **Note down the manufacturer and the number of the key.** In case of loss of the keys, please refer to an authorised Bosch eBike dealer. Please provide the name of the manufacturer and the number of the key.
- ▶ **Do not paint any components of the Bosch drive system as they may cause premature failure of the component.**

When changing the bulbs, ensure that they are compatible with the Bosch eBike system (ask your bicycle dealer) and are suitable for the specified voltage. Bulbs must only be replaced with bulbs of the same voltage.

### Taking care of your eBike

Please observe the operating and storage temperatures of the eBike components. Protect the drive unit, on-board computer and battery against extreme temperatures (e.g. from intense sunlight without adequate ventilation). Extreme temperatures can cause the components (especially the battery) to become damaged.

Have your eBike system checked by an expert at least once a year (including mechanical parts, up-to-date-ness of system software).

Please have your eBike serviced and repaired by an authorized bicycle dealer.

### After-sales service and advice on using products

If you have any questions about the eBike system and its components, contact an authorized bicycle dealer.

For contact details of authorized bike dealerships, please visit [www.bosch-ebike.com](http://www.bosch-ebike.com).

Please contact an authorized bicycle dealer if the battery is no longer working.

## Cleaning

► **Do not submerge your eBike components in water, or wash with pressurized hose.** Your Bosch drive unit is designed to be water tight to rain water or non-pressure hose washing.

Keep all components of your eBike clean, especially the battery-pack contacts and corresponding holder contacts. All components including the drive unit may not be immersed in water or cleaned with a high-pressure cleaner. Keep all components of your eBike clean, especially the batterypack contacts and corresponding holder contacts. Clean them carefully with a soft, damp cloth (using only mild soap and water).

<b>Introduction</b> .....	<b>2</b>
<b>À propos des avertissements</b> .....	<b>2</b>
<b>Avertissements généraux</b> .....	<b>2</b>
<b>Utilisez votre notice d'utilisation</b> .....	<b>2</b>
<b>Utilisation de votre Drive Unit Bosch</b> .....	<b>4</b>
<b>Consignes de sécurité</b> .....	<b>4</b>
<b>Description des prestations et du produit</b> .....	<b>6</b>
<b>Montage</b> .....	<b>7</b>
<b>Utilisation</b> .....	<b>7</b>
<b>Entretien/nettoyage</b> .....	<b>10</b>

# Introduction

## À propos des avertissements

Cette notice contient de nombreuses mentions de danger de type **DANGER, AVERTISSEMENT** et **ATTENTION** destinées à attirer l'attention sur les conséquences d'erreurs, dans le but d'utiliser, d'assembler, d'entretenir, de conserver et d'éliminer dans les règles et en toute sécurité les vélos électriques dotés d'un système eBike Bosch.

- Le symbole de sécurité et le mot **DANGER** signalent une situation à risque élevé, qui entraîne inévitablement des blessures graves, voire la mort, si elle n'est pas évitée.
- Le symbole de sécurité et le mot **AVERTISSEMENT** signalent une situation à risque élevé, pouvant entraîner des blessures graves, voire la mort, si elle n'est pas évitée.
- Le symbole de sécurité et le mot **ATTENTION** signalent une situation à risque modéré pouvant entraîner des blessures légères ou modérées si elle n'est pas évitée.

## Avertissements généraux



**Lisez tous les avertissements de sécurité et toutes les instructions.** Le fait de ne pas respecter les avertissements et les instructions peut entraîner des blessures graves ou mortelles.

**Conservez tous les avertissements et toutes les instructions pour pouvoir s'y reporter ultérieurement.**

Le terme **accu** utilisé dans la présente notice d'utilisation désigne un accu/une batterie d'eBike Bosch d'origine.

### **▲ AVERTISSEMENT**

- **Cette notice contient d'importantes informations sur la sécurité, les performances et l'entre-**

**tien.** Veuillez la lire avant d'utiliser votre vélo pour la première fois, et la conserver pour référence ultérieure. Vous pouvez également retrouver cette notice en ligne à l'adresse [www.bosch-ebike.com](http://www.bosch-ebike.com).

- **Cette notice est destinée à être lue conjointement avec le manuel utilisateur séparé fourni avec votre vélo.** Assurez-vous de lire tous les documents fournis y compris les étiquettes apposées sur le produit avant la première utilisation.
- **Lisez TOUS les manuels et TOUTES les notices jointes avant d'utiliser votre vélo pour la première fois.** Votre système d'entraînement Bosch est livré avec d'autres manuels et documents fournis par le fabricant du vélo et des autres éléments. Ne pas lire ou ne pas comprendre les informations de sécurité peut entraîner des blessures graves ou mortelles.
- **Assumez la responsabilité de votre propre SÉCURITÉ.** En cas de question ou d'incompréhension, contactez votre revendeur ou le fabricant du vélo ou de l'élément.
- **Certains accessoires de l'eBike peuvent présenter un risque d'étouffement pour les petits enfants.** Conservez ces accessoires hors de portée des enfants.

### **▲ ATTENTION**

- **Le système d'entraînement Bosch alourdit votre vélo. Vous n'avez peut-être pas l'habitude de le soulever.** Évitez de vous blesser en utilisant des techniques de levage appropriées.

## Utilisez votre notice d'utilisation

Nous nous réservons le droit d'apporter à tout moment des modifications au logiciel pour corriger des erreurs ou pour étendre les fonctionnalités décrites dans la présente notice.

## Graphiques

Le vélo illustré dans cette notice peut être légèrement différent de votre vélo, mais il est suffisamment similaire pour vous permettre de comprendre nos instructions.

Les côtés DROIT et GAUCHE sont déterminés en se plaçant en situation, dans le sens de la marche du vélo. Lorsqu'une ligne en pointillé (-----) apparaît, l'élément auquel il est fait référence n'est pas visible.

# Utilisation de votre Drive Unit Bosch

## Consignes de sécurité



**Lisez et comprenez tous les avertissements et toutes les instructions.** Le fait de ne pas respecter les avertissements ci-

dessous peut entraîner des blessures graves ou mortelles.

**Conservez tous les avertissements et toutes les instructions pour pouvoir s'y reporter ultérieurement.**

Le terme **accu** utilisé dans la présente notice d'utilisation désigne un accu/une batterie d'eBike Bosch d'origine.

- ▶ **N'apportez aucun changement susceptible d'influencer, et surtout d'augmenter, la puissance ou la vitesse de l'assistance électrique de votre vélo.** Vous risqueriez de vous mettre en danger, de mettre en danger d'autres personnes et, qui plus est, de circuler illégalement sur les voies publiques.
  - ▶ **N'ouvrez pas vous-même l'unité d'entraînement. La réparation de l'unité d'entraînement doit être confiée à un revendeur qualifié utilisant uniquement des pièces de rechange d'origine.** La sécurité de l'unité d'entraînement sera ainsi préservée. Une ouverture non autorisée de l'unité d'entraînement annule la garantie.
  - ▶ **Tous les éléments montés sur l'unité d'entraînement et tous les autres éléments du système d'entraînement du vélo électrique (par ex. plateau, fixation du plateau, pédales) ne doivent être remplacés que par des éléments identiques ou spécialement autorisés pour votre vélo par le fabricant de vélos.** Ceci permet de protéger l'unité d'entraînement d'une surcharge et de dommages.
  - ▶ **Retirez la batterie avant d'entreprendre des travaux (réparation, montage, entretien, interventions au niveau de la chaîne etc.) sur le vélo électrique, de la transporter en voiture ou en avion**
- ou avant de la ranger pour une durée prolongée.** Une activation involontaire du système eBike risque de provoquer des blessures.
- ▶ **Le système eBike peut s'allumer lorsque vous recyclez votre eBike ou faites tourner les pédales vers l'arrière.**
  - ▶ **La fonction assistance à la poussée ne doit être utilisée que quand vous poussez le vélo électrique.** Les roues du vélo doivent être en contact avec le sol lorsque l'assistance à la poussée est utilisée, sans quoi vous risqueriez de vous blesser.
  - ▶ **Quand l'assistance à la poussée est active, les pédales peuvent tourner toutes seules dans le vide.** Veillez à garder une distance suffisante entre vos jambes et les pédales lorsque l'assistance à la poussée est active. Il y a risque de blessure.
  - ▶ **À la fin d'un trajet, ne touchez pas le boîtier de l'unité d'entraînement avec les mains et les jambes nues.** Dans certaines circonstances, notamment en cas de roulage prolongé à faible vitesse avec des couples élevés ou bien dans des côtes ou en montagne, le boîtier risque de s'échauffer fortement.
- Facteurs qui influent sur l'échauffement du boîtier de la Drive Unit :
- Température ambiante
  - Profil du trajet (dénivelé/côtes)
  - Durée de conduite
  - Modes d'assistance
  - Comportement du conducteur (effort exercé)
  - Poids total (conducteur, vélo, bagages)
  - Couvercle-moteur de l'unité d'entraînement
  - Pouvoir de dissipation thermique du cadre du vélo
  - Type d'unité d'entraînement et de système de changement de vitesses
- ▶ **N'utilisez que les batteries d'origine Bosch autorisées par le fabricant de votre vélo électrique.**



L'utilisation de toute autre batterie peut entraîner des blessures et des risques d'incendie. Bosch décline toute responsabilité et exclut tout droit à garantie en cas d'utilisation d'autres batteries.

- **N'apportez aucune modification au système eBike de votre vélo électrique et ne montez aucun produit du commerce destiné à accroître les performances du système eBike.** De tels produits réduisent la durée de vie du système et risquent de causer des dommages au niveau de l'unité d'entraînement et de la roue. Ils risquent par ailleurs de causer l'annulation de la garantie fabricant et de la garantie octroyée lors de l'achat du vélo. Une utilisation non conforme du système risque de compromettre votre sécurité et celle des autres usagers de la route. Lors d'accidents imputables à une manipulation du système, vous risquez d'avoir à supporter des coûts élevés au titre de la responsabilité civile et même d'être poursuivi en justice.



**Dans certaines circonstances extrêmes, notamment en cas de roulage prolongé à faible vitesse avec charge élevée (dans des côtes en montagne notamment), certaines parties de l'entraînement risquent de s'échauffer jusqu'à des températures >60 °C.**

- **Veillez observer toutes les réglementations locales, nationales et fédérales en vigueur lors de l'enregistrement et de l'utilisation des vélos électriques.**
- **Lisez et respectez les consignes de sécurité et les instructions de toutes les notices d'utilisation du système eBike, ainsi que la notice d'utilisation de votre eBike.**

## Remarque relative à la protection des données

Lors du raccordement du vélo électrique au DiagnosticTool Bosch, des données sur l'utilisation de l'unité d'entraînement Bosch (consommation d'énergie, température, etc.) sont transmises à la société Bosch

eBike Systems (Robert Bosch GmbH) à des fins d'amélioration des produits. Pour en savoir plus, rendez-vous sur le site Bosch [www.bosch-ebike.com](http://www.bosch-ebike.com).

## Description des prestations et du produit

### Utilisation conforme

L'unité d'entraînement est uniquement destinée à l'entraînement de votre vélo électrique. Toute autre utilisation est interdite.

Nous nous réservons le droit d'apporter à tout moment des modifications au logiciel pour corriger des erreurs ou pour étendre les fonctionnalités décrites dans la présente notice.

### Caractéristiques techniques

Drive Unit		Active Line	Active Line Plus	Performance Line
Code produit		BDU330	BDU380	BDU385
Puissance permanente nominale	W	250	250	250
Couple maxi de l'entraînement	Nm	40	50	65
Tension nominale	V=	36	36	36
Températures de fonctionnement	°F	+23...+104	+23...+104	+23...+104
Températures de stockage	°F	+14...+122	+14...+122	+14...+122
Indice de protection		IP 54 (protection contre la poussière et les projections d'eau)	IP 54 (protection contre la poussière et les projections d'eau)	IP 54 (protection contre la poussière et les projections d'eau)
Poids (approx.)	kg	3	3,3	3,5

Le système eBike de Bosch utilise FreeRTOS (voir <http://www.freertos.org>).

### Éclairage du vélo<sup>A)</sup>

Tension approx. <sup>B)</sup>	V=	12
Puissance maximale		
– Feu avant	W	17,4
– Feu arrière	W	0,6

<sup>A)</sup> Pas possible dans tous les pays via la batterie du vélo électrique, selon la législation en vigueur

<sup>B)</sup> Lors du changement des ampoules, veillez à ce qu'elles soient compatibles avec le système eBike Bosch (demandez à votre revendeur) et à ce qu'elles correspondent à la tension indiquée. Ne remplacez des ampoules défectueuses que par des ampoules de même tension.

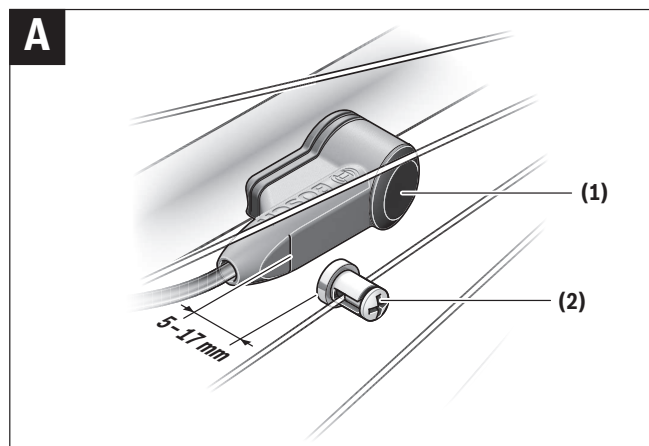
**Les ampoules inappropriées risquent d'être détruites !**

## Montage

### Montage et démontage de la batterie

Pour le montage de la batterie sur le vélo électrique et son retrait, veuillez vous référer à la notice d'utilisation de la batterie.

### Contrôle du capteur de vitesse



(1) Capteur de vitesse

(2) Aimant de rayon

Le capteur de vitesse (1) et l'aimant de rayon (2) doivent être montés de façon à ce que l'aimant se trouve à une distance de 5 à 17 mm du capteur de vitesse lorsqu'il passe devant ce dernier quand la roue tourne.

**Remarque :** Si la distance entre le capteur de vitesse (1) et l'aimant de rayon (2) est trop petite ou trop grande, ou si le capteur de vitesse (1) n'est pas correctement connecté, le compteur de vitesse est défaillant et le système d'entraînement du vélo électrique fonctionne en mode de secours.

Dévissez dans ce cas l'aimant (2) et déplacez-le sur le rayon de façon à ce qu'il passe devant le repère du capteur de vitesse à la bonne distance. S'il n'apparaît ensuite toujours aucune vitesse sur le compteur de vitesse, veuillez vous rendre chez un vélociste agréé.

## Utilisation

### Mise en marche

#### Conditions préalables

Le système eBike ne peut être activé que si les conditions suivantes sont réunies :

- La batterie utilisée est suffisamment chargée (voir la notice d'utilisation de la batterie).
- L'ordinateur de bord est correctement inséré dans son support (voir la notice d'utilisation de l'ordinateur de bord).
- Le capteur de vitesse est correctement branché Contrôle du capteur de vitesse (voir figure A).

#### Mise en marche/Arrêt du système eBike

Pour **mettre en marche** le système eBike, vous avez les possibilités suivantes :

- Si l'ordinateur de bord est déjà allumé lors de son insertion dans le support, le système eBike s'active automatiquement.
- L'ordinateur de bord et la batterie étant en place sur le vélo, appuyez brièvement une fois sur le bouton Marche/Arrêt de l'ordinateur de bord.
- L'ordinateur de bord étant en place dans son support, appuyez sur la touche Marche/Arrêt de la batterie (certains fabricants de vélos proposent des solutions sans accès possible à la touche Marche/Arrêt de la batterie ; voir la notice d'utilisation de la batterie).

Le système d'entraînement est activé dès que vous appuyez sur les pédales (sauf avec l'assistance à la poussée, Activation/désactivation de l'assistance à la poussée). La puissance du moteur est déterminée par le niveau d'assistance paramétré au niveau de l'ordinateur de bord.

Dès que vous arrêtez de pédaler en mode normal ou dès que vous avez atteint une vitesse de **20 mph**, le système d'entraînement eBike désactive l'assistance. L'entraînement se réactive automatiquement dès que

vous vous mettez à pédaler et que la vitesse est inférieure à **20 mph**.

Pour **arrêter** le système eBike, vous avez les possibilités suivantes :

- Actionnez la touche Marche/Arrêt de l'ordinateur de bord.
- Désactivez la batterie en actionnant la touche Marche/Arrêt (certains fabricants de vélos proposent des solutions sans accès possible à la touche Marche/Arrêt de la batterie ; voir la notice d'utilisation de la batterie).
- Retirez l'ordinateur de bord de son support.

Si le système d'entraînement n'est pas sollicité pendant 10 min **et** qu'aucune touche de l'ordinateur n'est actionnée pendant cette durée, le système eBike s'éteint automatiquement pour économiser l'énergie.

### eShift (en option)

eShift indique qu'un système de passage de vitesses électronique est associé au système eBike. Les composants eShift sont reliés électriquement à l'unité d'entraînement par le fabricant. Les systèmes de passage de vitesses électroniques sont décrits dans une notice d'utilisation à part.

### Réglage du niveau d'assistance

Vous pouvez régler sur l'ordinateur de bord le niveau d'assistance du système eBike lorsque vous pédalez. Le niveau d'assistance peut être modifié à tout moment, même au cours de la conduite.

**Remarque :** Sur certaines versions, le niveau d'assistance est préréglé et ne peut pas être modifié. Sur d'autres, il peut y avoir moins de niveaux d'assistance que ce qui est indiqué ici.

Les niveaux d'assistance suivants sont disponibles :

- **OFF :** l'assistance électrique est désactivée, le vélo ne peut être utilisé que comme un vélo normal sans assistance. L'assistance à la poussée ne peut pas être activée.
- **ECO :** assistance efficace avec le rendement maximal, pour disposer d'une autonomie maximale
- **TOUR :** assistance régulière, pour de grands trajets et de grandes randonnées
- **SPORT/eMTB :**
  - SPORT :** assistance puissante pour parcours sportifs sur chemins montagneux ainsi que pour la circulation urbaine
  - eMTB :** assistance optimale sur tous terrains, démarrage sportif, dynamique améliorée, performances maximales (**eMTB** seulement disponible en combinaison avec les unités d'entraînement BDU250P CX, BDU365, BDU450 CX et BDU480 CX. Une mise à jour logicielle est parfois nécessaire.)
  - **TURBO :** assistance maximale jusqu'à des fréquences de pédalage élevées, pour conduite sportive

La puissance du moteur sélectionnée apparaît sur l'écran de l'ordinateur de bord. La puissance maximale du moteur dépend du niveau d'assistance sélectionné.

Niveau d'assistance	Facteur d'assistance <sup>A)</sup>		
	Active Line (BDU330)	Active Line Plus (BDU380)	Performance Line (BDU385)
<b>ECO</b>	40 %	40 %	55 %
<b>TOUR</b>	100 %	100 %	120 %
<b>SPORT/eMTB</b>	150 %	180 %	200/120 %...300 % <sup>B)</sup>

Niveau d'assistance	Facteur d'assistance <sup>A)</sup>		
	Active Line (BDU330)	Active Line Plus (BDU380)	Performance Line (BDU385)
<b>TURBO</b>	250 %	270 %	300 %

<sup>A)</sup> Le facteur d'assistance peut différer pour certaines variantes.

<sup>B)</sup> Valeur maximale

## Activation/désactivation de l'assistance à la poussée

L'assistance à la poussée vous permet de pousser le vélo électrique en exerçant moins d'effort. La vitesse possible avec cette fonction dépend de la vitesse sélectionnée sur le vélo. Elle est au maximum de **3,7 mph**. Elle sera d'autant plus faible (à pleine puissance) que la vitesse sélectionnée est plus petite.

► **La fonction assistance à la poussée ne doit être utilisée que quand vous poussez le vélo électrique.** Les roues du vélo doivent être en contact avec le sol lorsque l'assistance à la poussée est utilisée, sans quoi vous risqueriez de vous blesser.

Pour **activer** l'assistance à la poussée, actionnez brièvement la touche **WALK** de votre ordinateur de bord. Après l'activation, appuyez dans les 3 secondes qui suivent sur la touche **+** et maintenez-la enfoncée. Le système d'entraînement eBike se met alors en marche.

**Remarque :** L'assistance à la poussée n'est pas activable dans le niveau d'assistance **OFF**.

L'assistance à la poussée **se désactive** dès que l'une des situations suivantes se produit :

- Vous relâchez la touche **+**,
- les roues du vélo électrique se bloquent (par ex. si vous actionnez les freins ou heurtez un obstacle),
- la vitesse devient supérieure à **3,7 mph**.

Le fonctionnement de l'assistance de poussée est tributaire de la législation en vigueur dans chaque pays et peut donc différer de ce qui a été indiqué ci-dessus. L'assistance à la poussée peut même être désactivée.

## Activation/désactivation de l'éclairage du vélo

Sur les vélos où l'éclairage est alimenté par le système eBike, les feux avant et arrière peuvent être allumés et éteints simultanément à partir de l'ordinateur de bord.

## Entretien/nettoyage

### ⚠ AVERTISSEMENT

- ▶ **N'ouvrez aucun élément. L'entretien doit uniquement être effectué par un revendeur eBike Bosch autorisé.** Le fait de ne pas respecter l'avertissement ci-dessus peut entraîner des blessures graves ou mortelles. Reportez-vous au manuel de votre vélo ou au manuel de l'élément pour tous les éléments ne faisant pas partie du système d'entraînement Bosch.
- ▶ **Retirez toujours l'accu avant d'inspecter un vélo, de procéder à son entretien ou à sa réparation.** Le fait de ne pas retirer l'accu avant d'inspecter un vélo, de procéder à son entretien ou à sa réparation peut entraîner des blessures graves.
- ▶ **Si vous suspectez une défaillance, n'utilisez pas votre vélo.** Consultez votre revendeur eBike Bosch, seul un revendeur qualifié doit intervenir sur votre système d'entraînement Bosch. Tous les écrous, les boulons et les vis requièrent une force de serrage correcte. Une force de serrage trop faible ne permet pas la fixation sécurisée des composants. Une force de serrage excessive risque au contraire de briser les filets, et d'étendre, de déformer ou de casser les éléments de fixation. D'une manière ou d'une autre, une force de serrage incorrecte peut entraîner une défaillance de l'élément, ce qui peut vous faire perdre le contrôle de votre vélo et vous faire tomber.
- ▶ **Si vous remplacez votre batterie, achetez uniquement un accu Bosch d'origine auprès d'une source fiable et approuvée. Contactez votre revendeur eBike Bosch pour les pièces Bosch d'origine.**
- ▶ **Arrêtez toujours l'accu lorsque vous le montez ou le retirez de son support.** Ne tentez jamais de monter ni de retirer l'accu lorsque vous roulez à vélo.

- ▶ **Ne rechargez pas et n'utilisez pas votre eBike dans une zone présentant une atmosphère potentiellement explosive, par exemple dans une station-service ou dans des zones dans lesquelles l'air contient des produits chimiques ou des particules (telles que des grains, de la poussière ou des poudres métalliques).** Respectez tous les panneaux et toutes les instructions.
- ▶ **Ne plongez pas vos composants eBike dans l'eau et ne les lavez pas avec un pulvérisateur haute pression.** Votre unité d'entraînement Bosch est conçue pour être étanche à l'eau de pluie ou à un tuyau d'arrosage sans pression.
- ▶ **Notez le nom du fabricant et le numéro de la clé.** Si vous perdez les clés, contactez un revendeur eBike Bosch autorisé. Veuillez fournir le nom du fabricant et le numéro de la clé.
- ▶ **Ne peignez aucun élément du système d'entraînement Bosch car cela peut entraîner une défaillance prématurée de l'élément.**

Lors du changement des ampoules, veillez à ce qu'elles soient compatibles avec le système eBike Bosch (demandez à votre revendeur) et à ce qu'elles correspondent à la tension indiquée. Ne remplacez des ampoules défectueuses que par des ampoules de même tension.

### Entretien du système eBike

Respectez les températures de fonctionnement et de stockage des composants du système d'assistance électrique. Protégez l'unité d'entraînement, l'ordinateur de bord et la batterie des températures extrêmes (par exemple d'une exposition intense aux rayons du soleil en l'absence d'aération). Les composants (notamment la batterie) peuvent être endommagés lorsqu'ils sont exposés à des températures extrêmes. Faites contrôler votre système eBike au moins une fois par an sur le plan technique (partie mécanique, version du logiciel système, etc.).

Pour le service après-vente ou les réparations sur votre vélo électrique, adressez-vous à un vélociste agréé.

### **Service après-vente et conseil utilisateurs**

Pour toutes les questions concernant le système eBike et ses éléments, adressez-vous à un vélociste agréé.

Vous trouverez les données de contact de vélocistes agréés sur le site internet [www.bosch-ebike.com](http://www.bosch-ebike.com).

Si la batterie ne fonctionne plus, adressez-vous à un vélociste agréé.

### **Nettoyage**

► **Ne plongez pas vos composants eBike dans l'eau et ne les lavez pas avec un pulvérisateur haute pression.** Votre unité d'entraînement Bosch est conçue pour être étanche à l'eau de pluie ou à un tuyau d'arrosage sans pression.

Maintenez tous les éléments de votre vélo électrique propres, surtout les contacts de l'accu et les supports de fixation. Ne plongez pas dans l'eau les éléments, y compris l'unité de l'entraînement et ne les nettoyez pas à l'aide d'un nettoyeur haute pression. Maintenez tous les éléments de votre vélo électrique propres, surtout les contacts de l'accu et les supports de fixation. Nettoyez-les soigneusement à l'aide d'un chiffon doux et humide (en utilisant uniquement du savon doux et de l'eau).





<b>Introducción</b> .....	<b>2</b>
<b>Acerca de las advertencias</b> .....	<b>2</b>
<b>Advertencias generales</b> .....	<b>2</b>
<b>Utilización de sus Instrucciones de servicio</b> .....	<b>2</b>
<b>Operación de su unidad motriz Bosch</b> .....	<b>4</b>
<b>Indicaciones de seguridad</b> .....	<b>4</b>
<b>Descripción del producto y servicio</b> .....	<b>6</b>
<b>Montaje</b> .....	<b>7</b>
<b>Operación</b> .....	<b>7</b>
<b>Mantenimiento/limpieza</b> .....	<b>10</b>

# Introducción

## Acerca de las advertencias

Este manual contiene muchos **PELIGROS**, **ADVERTENCIAS**, y **PRECAUCIONES** sobre las consecuencias de una falta de uso, montaje, mantenimiento, almacenamiento, inspección y eliminación de una eBike equipada por Bosch de modo seguro.

- La combinación del símbolo de alerta de seguridad y la palabra **PELIGRO** indica una situación peligrosa que, si no se evita, ocasionará la muerte o lesiones graves.
- La combinación del símbolo de alerta de seguridad y la palabra **ADVERTENCIA** indica una situación peligrosa que, si no se evita, podría provocar la muerte o lesiones graves.
- La combinación del símbolo de alerta de seguridad y la palabra **PRECAUCIÓN** indica una situación peligrosa que, si no se evita, podría ocasionar lesiones leves o moderadas.

## Advertencias generales



**Lea íntegramente todas las indicaciones de seguridad e instrucciones.** No seguir las advertencias e instrucciones siguientes puede provocar la muerte o lesiones graves.

**Guarde todas las indicaciones de seguridad e instrucciones para posibles consultas futuras.**

El término **batería** empleado en este manual del usuario se refiere a todas las baterías para eBike originales de Bosch.

### ⚠ ADVERTENCIA

- ▶ **Este manual contiene información importante de seguridad, rendimiento y mantenimiento.** Léalo antes de usar su nueva bicicleta y guárdelo a modo de referencia. Puede encontrar el manual también en línea en [www.bosch-ebike.com](http://www.bosch-ebike.com).

- ▶ **Este manual está previsto para su lectura junto con el manual de usuario aparte que venía con su bicicleta.** Antes de usar la bici por primera vez, asegúrese de leer toda la documentación facilitada, incluidas las etiquetas que lleva el producto.
- ▶ **Lea TODOS los manuales incluidos antes de montar en la bicicleta por primera vez.** Su sistema de accionamiento de Bosch incluye manuales y documentación adicionales proporcionados por el fabricante de la bicicleta y de otros componentes. No leer o desconocer la información de seguridad puede provocar la muerte o lesiones graves.
- ▶ **Por su propia SEGURIDAD, sea responsable.** Si tiene dudas o no entiende algo, consúltelo con su distribuidor o con el fabricante de la bicicleta o del componente.
- ▶ **Algunos accesorios de la eBike pueden suponer un peligro de atragantamiento para los niños pequeños.** Mantenga esos accesorios alejados de los niños.

### ⚠ CUIDADO

- ▶ **El sistema de accionamiento de Bosch incrementa el peso de su bicicleta, que puede que no esté acostumbrado a levantar.** Evite las lesiones; utilice técnicas de elevación adecuadas.

## Utilización de sus Instrucciones de servicio

Además de las funciones aquí representadas, puede ser que se introduzcan en cualquier momento modificaciones de software para la eliminación de errores y para las ampliaciones de funciones.

## Gráficos

La bicicleta que se muestra en este manual puede diferir ligeramente de la suya; no obstante, las similitudes

des son suficientes para ayudarle a entender nuestras instrucciones.

Los lados DERECHO e IZQUIERDO se indican mirando en el sentido que la bicicleta tendrá al circular hacia delante. Si ve una línea discontinua (-----), el elemento al que se refiere está oculto a la vista.

# Operación de su unidad motriz Bosch

## Indicaciones de seguridad



Lea y conozca todas las indicaciones de seguridad y las instrucciones. No seguir las advertencias siguientes puede provocar la muerte o lesiones graves.

### Guarde todas las indicaciones de seguridad e instrucciones para posibles consultas futuras.

El término **batería** empleado en este manual del usuario se refiere a todas las baterías para eBike originales de Bosch.

- ▶ **No tome medidas que afecten, en particular aumenten, la potencia o la velocidad máxima asistida de su accionamiento.** De hacerlo, pone en peligro su vida y la de los demás y, además, estará circulando de manera ilegal en el dominio público.
- ▶ **No abra la unidad motriz por su cuenta. La unidad motriz solamente debe ser reparada por personal calificado y sólo con repuestos originales.** De esta manera queda garantizada la preservación de la seguridad del motor. La apertura del motor sin autorización comporta la anulación del derecho de garantía.
- ▶ **Todos los componentes montados en la unidad motriz y todos los demás componentes del accionamiento de la eBike (p. ej. plato, portaplato, pedales) solamente deberán sustituirse por componentes de construcción idéntica o por componentes especialmente homologados por el fabricante de su eBike.** Con ello se evita una sobrecarga o deterioro de la unidad motriz.
- ▶ **Extraiga el acumulador de la eBike antes de empezar cualquier trabajo en ella (p. ej. inspección, reparación, montaje, mantenimiento, trabajos en la cadena, etc.), al transportarla con el coche o en un avión o en caso de almacenarla.** Existe peligro de lesiones si se activa involuntariamente el sistema eBike.
- ▶ **El sistema eBike se puede conectar, si empuja la eBike hacia atrás o gira los pedales hacia atrás.**
- ▶ **La función de asistencia de empuje se debe usar exclusivamente al empujar la eBike.** Si las ruedas de la eBike no están en contacto con el suelo cuando se usa la asistencia de empuje, existe riesgo de lesiones.
- ▶ **Cuando la asistencia de empuje está activada, los pedales pueden girar.** Con la asistencia de empuje activada, preste atención a que sus piernas tengan suficiente distancia hacia los pedales giratorios. Existe peligro de lesión.
- ▶ **No entre en contacto sin protección con las manos o las piernas con la carcasa de la unidad motriz después de la conducción.** En condiciones extremas, tales como pares de giro altos continuados a bajas velocidades de conducción o durante trayectos de montaña y de carga, se pueden alcanzar temperaturas muy altas en la carcasa. Las temperaturas que pueden generarse en la carcasa de la unidad motriz, están influenciadas por los siguientes factores:
  - Temperatura ambiente
  - Perfil del conducción (recorrido/pendiente de la calzada)
  - Duración del viaje
  - Modo de asistencia
  - Comportamiento del usuario (propia contribución)
  - Peso total (conductor, eBike, equipaje)
  - Cubierta del motor de la unidad motriz
  - Propiedades de disipación de calor del cuadro de la bicicleta
  - Tipo de unidad motriz y tipo de cambio de marchas
- ▶ **Utilice únicamente acumuladores originales Bosch autorizados por el fabricante para su eBike.** El uso de otro tipo de acumuladores puede

acarrear lesiones e incluso un incendio. Si se aplican acumuladores de otro tipo Bosch declina cualquier responsabilidad y el derecho a garantía.

► **No realice ningún tipo de modificación en su sistema eBike ni instale otros productos destinados a aumentar la potencia de su sistema eBike.**

De hacerlo, por lo general se reduce la vida útil del sistema y se corre el riesgo de que se produzcan daños en la unidad motriz y en la rueda. Asimismo existe peligro de perder el derecho de garantía sobre la rueda que ha adquirido. Además, un manejo inadecuado del sistema pone en riesgo su seguridad y la de otros usuarios de la vía pública, aparte del riesgo de asumir elevados costes personales por responsabilidad e incluso de un posible procesamiento penal en caso de que se produzca un accidente atribuible a la manipulación.



**En condiciones extremas como, por ejemplo, alta carga continuada a baja velocidad en trayectos de montaña o carga, en partes del accionamiento pueden darse temperaturas >60 °C.**

- **Siga todos los reglamentos locales, estatales y federales cuando registre y use eBikes.**
- **Lea y siga todas las indicaciones de seguridad e instrucciones de todos los manuales de uso del sistema eBike, así como las instrucciones de uso de su eBike.**

### **Indicación de protección de datos**

Al conectar la eBike al Bosch DiagnosticTool, se transmiten datos con el fin de mejorar el producto sobre el uso de la unidad motriz de Bosch (entre otros, consumo de energía, temperatura, etc.) a Bosch eBike Systems (Robert Bosch GmbH). Para más información, visite la página web de eBike de Bosch [www.bosch-ebike.com](http://www.bosch-ebike.com).

## Descripción del producto y servicio

### Utilización reglamentaria

La unidad motriz está destinada únicamente al accionamiento de su eBike y no debe utilizarse para otros fines.

Además de las funciones aquí representadas, puede ser que se introduzcan en cualquier momento modificaciones de software para la eliminación de errores y para las ampliaciones de funciones.

### Datos técnicos

Unidad de accionamiento		Active Line	Active Line Plus	Performance Line
Código de producto		BDU330	BDU380	BDU385
Potencia nominal continua	W	250	250	250
Par de giro máx. del accionamiento	Nm	40	50	65
Tensión nominal	V=	36	36	36
Temperatura de servicio	°F	+23...+104	+23...+104	+23...+104
Temperatura de almacenamiento	°F	+14...+122	+14...+122	+14...+122
Grado de protección		IP 54 (protegido contra polvo y salpicaduras de agua)	IP 54 (protegido contra polvo y salpicaduras de agua)	IP 54 (protegido contra polvo y salpicaduras de agua)
Peso, aprox.	kg	3	3,3	3,5

El sistema eBike de Bosch utiliza FreeRTOS (ver <http://www.freertos.org>).

### Iluminación de la bicicleta<sup>A)</sup>

Tensión aprox. <sup>B)</sup>	V=	12
Máxima potencia		
– Luz delantera	W	17,4
– Luz de atrás	W	0,6

<sup>A)</sup> dependiente de las regulaciones legales, no es posible en todas las ejecuciones específicas de cada país por el acumulador de la eBike

<sup>B)</sup> Al cambiar las luces, asegúrese de que las lámparas sean compatibles con el sistema eBike de Bosch (pregunte en su establecimiento especializado) y la tensión especificada coincida. Las lámparas solo pueden cambiarse por otras de la misma tensión.

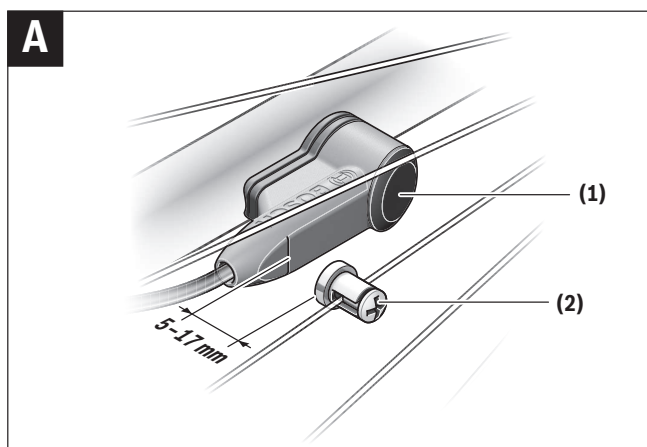
**Cualquier otra lámpara podría quedar inutilizada.**

## Montaje

### Montaje y desmontaje del acumulador

Para colocar y retirar el acumulador de la eBike, lea y observe las instrucciones de servicio del acumulador.

### Comprobación del captador de velocidad



**(1)** Sensor de velocidad

**(2)** Imán para los radios

El sensor de velocidad **(1)** y el correspondiente imán de fijación a los radios **(2)** deben montarse de tal modo, que en una rotación de la rueda el imán de radio pase a una distancia de al menos 5 mm y no más de 17 mm del sensor de velocidad.

**Indicación:** Si la distancia entre el sensor de velocidad **(1)** y el imán de fijación a los radios **(2)** es demasiado pequeña o demasiado grande, o si el sensor de velocidad **(1)** no está conectado correctamente, falla la indicación del tacómetro y el accionamiento de la eBike funciona con el programa de emergencia.

En este caso, desenrosque el tornillo del imán de fijación a los radios **(2)** y fíjelo al radio de forma que pase por la marca del sensor de velocidad a la distancia correcta. Si aun así sigue sin aparecer la velocidad en el indicador del tacómetro, diríjase a un distribuidor de bicicletas autorizado.

## Operación

### Puesta en marcha

#### Requisitos

El sistema eBike solamente puede activarse cuando se cumplen las siguientes condiciones:

- Se ha colocado una batería con suficiente carga (véanse las instrucciones de uso de la batería).
- El ordenador de a bordo está colocado correctamente en el soporte (véanse las instrucciones de uso del ordenador de a bordo).
- El sensor de velocidad está correctamente conectado. Comprobar el sensor de velocidad (ver figura A).

#### Conexión/desconexión del sistema eBike

Usted tiene las siguientes opciones para **conectar** el sistema eBike:

- Si el ordenador de a bordo ya está conectado al colocarlo en el soporte, el sistema eBike se activa automáticamente.
- Una vez colocados el ordenador de a bordo y el acumulador de la eBike, pulse una vez brevemente la tecla de conexión/desconexión del ordenador de a bordo.
- Con el ordenador de a bordo colocado, pulse la tecla de conexión/desconexión del acumulador de la eBike (son posibles soluciones específicas del fabricante de bicicletas en las cuales no hay acceso a la tecla de conexión/desconexión del acumulador; ver instrucciones de servicio del acumulador).

El motor se activa al empezar a pedalear (excepto con la función de asistencia de empuje, Conexión/desconexión de la Ayuda para empuje). La potencia del motor depende del nivel de asistencia ajustado en el ordenador de a bordo.

En cuanto deje de pedalear en el funcionamiento normal o en cuanto alcance una velocidad de **20 mph**, se desconecta la asistencia del accionamiento de la eBike. El motor se activa de nuevo automáticamente

en cuanto pedalee y su velocidad esté por debajo de **20 mph**.

Usted tiene las siguientes opciones para **desconectar** el sistema eBike:

- Pulse la tecla de conexión/desconexión del ordenador de a bordo.
- Desconecte el acumulador de la eBike en su tecla de conexión/desconexión (puede haber soluciones de fabricantes de bicicletas que no tengan acceso a la tecla de conexión/desconexión de la batería; véase el manual de instrucciones del fabricante de la bicicleta).
- Retire el ordenador de a bordo del soporte.

Si no se mueve la eBike durante unos 10 minutos **y** no se pulsa ninguna tecla en el ordenador de a bordo, el sistema eBike se apaga automáticamente por razones de ahorro de energía.

### eShift (opcional)

eShift es la integración de los sistemas de conexión/desconexión electrónicos en el sistema de la eBike. Los componentes eShift están conectados eléctricamente de fábrica con el motor. El manejo de los sistemas de conexión/desconexión electrónicos se describe en unas instrucciones de servicio separadas.

### Ajuste del modo de asistencia

En el ordenador de a bordo puede ajustar el nivel de asistencia del motor de la eBike al pedalear. Este nivel de asistencia se puede modificar en cualquier momento, también durante la marcha.

**Indicación:** En algunas ejecuciones es posible que el nivel de asistencia esté preajustado y no se pueda cambiar. También es posible que no exista una diversidad de modos de asistencia tan amplia como la aquí indicada.

A lo sumo están disponibles los siguientes modos de asistencia:

– **OFF:** La asistencia del motor está apagada, la eBike se puede mover como una bicicleta normal pedaleando. La asistencia de empuje no se puede activar en este nivel de asistencia.

– **ECO:** asistencia efectiva con la máxima eficiencia, para una autonomía máxima

– **TOUR:** asistencia uniforme, para viajes con gran autonomía

– **SPORT/eMTB:**

**SPORT:** asistencia potente para la conducción deportiva en rutas montañosas, así como para el tráfico urbano

**eMTB:** asistencia óptima en todo terreno, arranque deportivo, dinámica mejorada, máximo rendimiento (**eMTB** disponible únicamente en combinación con las unidades motrices BDU250P CX, BDU365, BDU450 CX y BDU480 CX. También puede requerirse una actualización del sistema.)

– **TURBO:** asistencia máxima, incluso al pedalear velozmente, para una conducción deportiva

La potencia consumida del motor se indica en la pantalla del ordenador de a bordo. La potencia máxima del motor depende del nivel de asistencia seleccionado.

Modo de asistencia	Factor de asistencia <sup>A)</sup>		
	Active Line (BDU330)	Active Line Plus (BDU380)	Performance Line (BDU385)
<b>ECO</b>	40 %	40 %	55 %
<b>TOUR</b>	100 %	100 %	120 %
<b>SPORT/eMTB</b>	150 %	180 %	200/120 %...300 % <sup>B)</sup>



Modo de asistencia	Factor de asistencia <sup>A)</sup>		
	Active Line (BDU330)	Active Line Plus (BDU380)	Performance Line (BDU385)
<b>TURBO</b>	250 %	270 %	300 %

<sup>A)</sup> El factor de asistencia puede diferir para las ejecuciones individuales.

<sup>B)</sup> Valor máximo

## Conexión/desconexión de la Ayuda para empuje

La asistencia de empuje puede facilitarle el empuje de la eBike. La velocidad en esta función depende de la marcha acoplada y puede alcanzar como máximo **3,7 mph**. Cuanto más pequeña sea la marcha elegida, tanto menor es la velocidad lograda en la función de ayuda para empuje (a plena potencia).

► **La función de asistencia de empuje se debe usar exclusivamente al empujar la eBike.** Si las ruedas de la eBike no están en contacto con el suelo cuando se usa la asistencia de empuje, existe riesgo de lesiones.

Para **activar** la asistencia de empuje caminando, pulse brevemente la tecla **WALK** de su ordenador de a bordo. Tras la activación, pulse la tecla **+** antes de que pasen 3 segundos y manténgala pulsada. Se conecta el accionamiento de la eBike.

**Indicación:** La asistencia de empuje no se puede activar en el nivel de asistencia **OFF**.

La asistencia para empujar caminando se **desconecta** en cualquiera de los siguientes casos:

- Al soltar la tecla **+**,
- al bloquearse las ruedas de la eBike (p. ej. debido a una frenada o un choque con un obstáculo);
- al superar la velocidad los **3,7 mph**.

El funcionamiento de la asistencia está sujeto a las disposiciones específicas del país y, por consiguiente, puede diferir de la descripción mencionada anteriormente o estar desactivada.

## Conectar/desconectar la iluminación de la bicicleta

En el modelo en el que la luz de marcha se alimenta mediante el sistema eBike, las luces delantera y trasera se pueden conectar y desconectar simultáneamente mediante el ordenador de a bordo.

## Mantenimiento/limpieza

### ⚠ ADVERTENCIA

- ▶ **No abra ninguno de los componentes. El mantenimiento debe llevarse a cabo exclusivamente por parte de un distribuidor de eBike de Bosch autorizado.** El incumplimiento de la advertencia anterior puede causar la muerte o lesiones graves. Consulte su manual de la bicicleta o de aquellos componentes del sistema de accionamiento que no sean de Bosch.
- ▶ **Retire siempre la batería antes de realizar cualquier inspección, reparación o trabajo de mantenimiento en la bicicleta.** No retirar la batería antes de realizar cualquier inspección, reparación o trabajo de mantenimiento en la bicicleta puede causar la muerte o lesiones graves.
- ▶ **Si cree que hay algo suelto, no utilice la bicicleta.** Consulte a su distribuidor de eBike de Bosch; solo un proveedor de servicios cualificado puede efectuar trabajos en su sistema de accionamiento de Bosch. Las tuercas, los pernos y los tornillos necesitan la fuerza de apriete correcta. Con una fuerza menor de la necesaria, el cierre podría no estar bien sujeto. Con una fuerza excesiva, el cierre puede estropear las roscas, forzarse, deformarse o romperse. En todo caso, una fuerza de apriete incorrecta puede provocar un fallo en los componentes, lo que le puede hacer perder el control y caer.
- ▶ **Si cambia la batería, adquiera únicamente baterías originales de Bosch en un punto de venta autorizado. Diríjase a su distribuidor de eBike de Bosch para adquirir recambios originales.**
- ▶ **Desconecte siempre la batería cuando la introduzca o extraiga del soporte.** Nunca intente introducir ni extraer la batería con la bicicleta en marcha.
- ▶ **No cargue ni utilice la eBike en lugares con una atmósfera potencialmente explosiva, como gasolineras, ni en zonas en las que el aire contenga**

**productos químicos o partículas (como semillas, polvo o polvo de metales).** Obedezca todas las señales e instrucciones.

- ▶ **No sumerja los componentes eBike en el agua ni los limpie con una manguera a presión.** El accionamiento de Bosch está diseñado para ser impermeable al agua de lluvia o a una limpieza con manguera sin presión.
- ▶ **Apunte el fabricante y el número de la llave.** Si pierde las llaves, diríjase a un distribuidor de eBike de Bosch autorizado. Facilite el nombre del fabricante y el número de la llave.
- ▶ **No pinte los componentes del sistema de accionamiento de Bosch, ya que eso podría causar un fallo temprano de los mismos.**

Al cambiar las luces, asegúrese de que las lámparas sean compatibles con el sistema eBike de Bosch (pregunte en su establecimiento especializado) y la tensión especificada coincida. Las lámparas solo pueden cambiarse por otras de la misma tensión.

### Manejo cuidadoso de la eBike

Observe la temperatura de funcionamiento y almacenamiento de los componentes de la eBike. Proteja la unidad de accionamiento, el ordenador de a bordo y la batería de temperaturas extremas (p. ej. debido a una irradiación solar intensa sin ventilación simultánea). Las temperaturas extremas pueden dañar los componentes (especialmente las baterías).

Deje revisar su sistema eBike al menos una vez al año (entre otros el sistema mecánico, la actualización del software del sistema).

Para el servicio o las reparaciones de la eBike, contáctese con un distribuidor de bicicletas autorizado.

### Servicio técnico y atención al cliente

En caso de cualquier consulta sobre el sistema eBike y sus componentes, diríjase a un distribuidor de bicicletas autorizado.

Los detalles de contacto de los distribuidores de bicicletas autorizados se pueden encontrar en el sitio web [www.bosch-ebike.com](http://www.bosch-ebike.com).

Si su acumulador ya no funciona acuda por favor a una tienda de bicicletas autorizada.

## Limpieza

► **No sumerja los componentes eBike en el agua ni los limpie con una manguera a presión.** El accionamiento de Bosch está diseñado para ser impermeable al agua de lluvia o a una limpieza con manguera sin presión.

Mantenga limpios los componentes de su eBike, especialmente los contactos del acumulador y del respectivo soporte. Todos los componentes inclusive la unidad motriz no deberán sumergirse en agua ni tratarse con una limpiadora de alta presión. Mantenga limpios todos los componentes de su eBike, especialmente los contactos de la batería y del soporte correspondiente. Límpielos con un paño suave y húmedo (utilice únicamente jabón neutro y agua).