

Active Line

Cette notice contient d'importantes informations sur la sécurité, les performances et l'entretien. Lisez-les et comprenez-les ainsi que les informations fournies par le fabricant de votre vélo avant d'utiliser le produit, et conservez-les pour référence ultérieure.

Robert Bosch GmbH
Bosch eBike Systems
72703 Reutlingen
GERMANY

www.bosch-ebike.com

0 275 U07 ADC (2017.05) T / 23

Este manual contiene información importante de seguridad, rendimiento y mantenimiento. Léalo y asegúrese de entenderlo junto con la información que le ha facilitado el fabricante de su bicicleta antes de usar el producto; guárdelo a modo de referencia.

Active Line



Owner's Manual – The Bosch Drive System (20 mph)

Drive Unit

BDU280C: 0 275 007 039



en Original instructions
fr Notice originale
es Manual original

This manual contains important safety, performance and service information. Read and understand it along with the information provided to you by your bicycle manufacturer before using the product, and keep it for reference.



Table of Contents

Introduction	2
General Warnings.....	2
Using Your Operator’s Manual.....	2
Operating your Bosch Drive Unit.....	3
Safety Rules	3
Product Description and Specifications.....	4
Assembly	4
Operation	5
Maintenance/Cleaning.....	7

Introduction

Thank You for Purchasing a Bosch Drive System Equipped Bicycle!

Your Bosch eBike system team appreciates having you as a customer and wishes you many years of safe and satisfied use of your bicycle.

General Warnings



Read all safety warnings and all instructions.

Failure to follow the warnings and instructions may result in death or serious injury.

Save all safety warnings and instructions for future reference.

The term “battery pack” used in these operating instructions refers both to standard battery packs (battery packs with holder on the bike frame) and to rack-type battery packs (battery packs with holder in the rear rack/carrier).

About Warnings

This manual contains many “**DANGER**”, “**WARNING**”, and “**CAUTION**” indicators concerning the consequences of failing to use, assemble, maintain, store, inspect and dispose of a Bosch-equipped eBike in a safe manner.

The combination of the safety alert symbol and the word “**DANGER**” indicates a hazardous situation that, if not avoided, **will** result in death or serious injury.

The combination of the safety alert symbol and the word “**WARNING**” indicates a hazardous situation that, if not avoided, **could** result in death or serious injury.

The combination of the safety alert symbol and the word “**CAUTION**” indicates a hazardous situation that, if not avoided, could result in minor or moderate injury.

WARNING

- ▶ **This manual contains important safety, performance and service information.** Read it before you take the first ride on your new bicycle, and keep it for reference. The manual can also be found online at www.bosch-ebike.com.
- ▶ **This manual is intended to be read together with the separate user manual provided with your bicycle.** Be sure to read all provided documents including labels on the product before your first ride.

- ▶ **Read ALL accompanying manuals before riding the bike for the first time.** Your Bosch Drive System comes with additional manuals and documents provided by the manufacturer of the bicycle and other components. Failure to read and understand safety information can result in death or serious injury.
- ▶ **Take responsibility for your own SAFETY.** If you have any questions or do not understand something, contact your Bosch eBike dealer or the bicycle or component manufacturer.
- ▶ **Some eBike accessories may present a choking hazard to small children.** Keep these accessories away from children.

CAUTION

- ▶ **The Bosch Drive System adds weight to your bicycle which you may not be used to lifting.** Avoid injury; use proper lifting techniques.

Using Your Operator’s Manual

Graphics

The bicycle shown in this manual may differ slightly from your bicycle, but will be similar enough to help you understand our instructions.

RIGHT-HAND and LEFT-HAND sides are determined by facing in the direction the bicycle will travel when going forward. When you see a broken line (-----), the item referred to is hidden from view.

Operating your Bosch Drive Unit

Safety Rules



Read and understand all safety warnings and instructions. Failure to follow the warnings below could result in death or serious injury.

Save all safety warnings and instructions for future reference.

The term “battery pack” used in these operating instructions refers both to standard battery packs (battery packs with holder on the bike frame) and to rack-type battery packs (battery packs with holder in the rear rack/carrier).

- ▶ **Do not open the drive unit yourself. The drive unit must be repaired only by qualified experts and only with original spare parts.** This will ensure that the safety of the drive unit is maintained. Unauthorized opening of the drive unit will void warranty claims.
- ▶ **All components attached to the drive unit and all other components of the eBike drive (e.g., the chainwheel, chainwheel seat, pedals) may be replaced only with identical components or components specifically approved for your eBike by the bicycle manufacturer.** This protects the drive unit against overload and damage.
- ▶ **Remove the battery pack from the eBike before beginning work (e.g. inspection, repair, assembly, maintenance, work on the chain, etc.) on the eBike, transporting it by car or plane, or storing it.** Unintentional activation of the eBike system poses a risk of injury.
- ▶ **The eBike system can switch itself on when the eBike is pushed backwards.**
- ▶ **Using the walk assistance function is only recommended when pushing the eBike.** There is risk of injury if the wheels of the eBike are not in contact with the ground while using the walk assistance.
- ▶ **While using the walk assistance, the pedals will rotate on bikes with back-pedaling function.** Due to the risk of injury, please make sure that your body is a sufficient distance away from the rotating pedals.
- ▶ **Use only original Bosch battery packs approved for your eBike by the manufacturer.** Using other battery packs can lead to injuries and pose a fire hazard. When using other battery packs, the warranty is void and Bosch shall not assume any liability.
- ▶ **Do not make any modifications to your eBike system or attach any other products which would be suitable for increasing the performance of your eBike system.** Unauthorized modification of the system could result in death or serious injury.
- ▶ **Please follow all local, state and federal regulations when registering and using eBikes.**
- ▶ **Read and observe the safety warnings and instructions in all operating instructions of the eBike system and your eBike.**

Product Description and Specifications

Intended Use

The drive unit is intended only for driving your eBike and must not be used for other purposes.

Technical Data

Drive unit		Drive Unit
Article number		0 275 007 039
Rated continuous power	W	250
Torque at drive, max.	Nm	50
Rated voltage	V $\ddot{=}$	36
Operating temperature	°F	+23...+104
Storage temperature	°F	+14...+122
Degree of protection		IP 54 (dust and splash water protected)
Weight, approx.	lb	8.8

Bike lights ¹⁾

Voltage, approx. ²⁾³⁾	V $\ddot{=}$	6/12
Maximum output		
– Front light	W	8.4/17.4
– Rear light	W	0.6/0.6

1) Not possible via the eBike battery pack in all country-specific versions, depending on the statutory regulations

2) The voltage level is preset and can be changed only by the eBike dealer.

3) When changing the bulbs, ensure that the bulbs are also compatible with the Bosch eBike system (ask your eBike dealer) and that the specified voltage matches. Bulbs must be replaced only with bulbs of the same voltage.

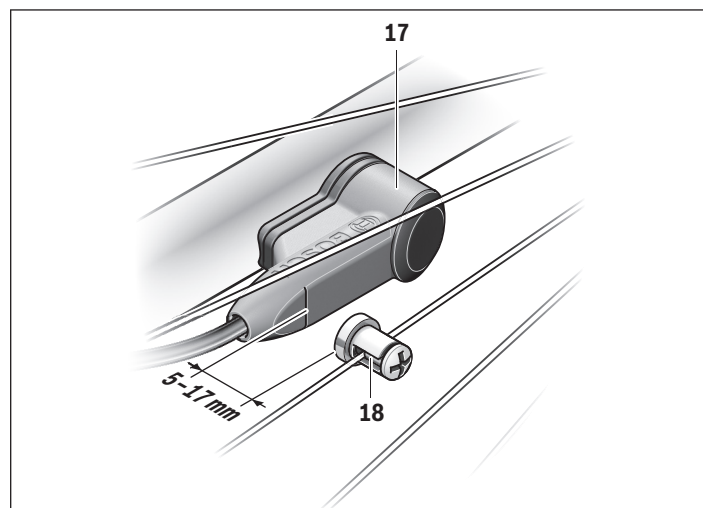
► **Incorrectly installed bulbs can be destroyed or cause damage to the system.**

Assembly

Inserting and removing the battery pack

To insert or remove the battery pack in/from the eBike, please read and follow the battery pack operating instructions.

Checking the Speed Sensor



17 Speed sensor

18 Spoke magnet for the speed sensor

The speed sensor **17** and its spoke magnet **18** must be attached in such a way that the spoke magnet, after a turn of the wheel, moves past the speed sensor with a clearance of at least 5 mm, yet no more than 17 mm.

Note: If the clearance between the speed sensor **17** and the spoke magnet **18** is too small or too large, or if the speed sensor **17** is not properly connected, the speed indicator will fail, and the eBike drive unit will operate in the emergency mode.

In this case, loosen the screw for the spoke magnet **18** and fasten the spoke magnet to the spoke in such a way that it runs past the mark of the speed sensor at the correct clearance. If the speed is still not being indicated on the speed indicator after this is done, please contact an authorized Bosch eBike dealer.

Operation

Initial Operation

Requirements

The eBike system can only be activated when the following requirements are met:

- A sufficiently charged battery pack is inserted (see battery pack operating instructions).
- The on-board computer is properly inserted in the holder (see on-board computer operating instructions).
- The speed sensor is connected properly (see “Checking the Speed Sensor”, page English – 4).

Switching the eBike System On/Off

Options for **switching on** the eBike system:

- If the on-board computer is already switched on when inserted into the holder, then the eBike system will be switched on automatically.
- When the on-board computer and the eBike battery pack are inserted, briefly press the On/Off button of the on-board computer once.
- When the on-board computer is inserted, press the On/Off button on the battery pack.

Once it is switched on, the eBike system is in the **“OFF”** mode. Select the desired assistance level and take off.

The drive is activated as soon as you put pressure on the pedals. The assistance level depends upon the on-board computer settings.

As soon as you stop pedaling when in normal operation, or as soon as you have reached a speed of 20 mph, the assistance from the eBike drive unit is switched off. The motor assistance is automatically re-activated as soon you start pedaling again and the speed is below 20 mph.

Options for **switching off** the eBike system:

- Press the On/Off button of the on-board computer.
- Switch the eBike battery pack off by using its On/Off button (see battery pack operating instructions.)
- Remove the on-board computer out of its holder.

If the eBike is not moved **and** no button is pressed on the on-board computer for 10 minutes, the eBike system will shut down automatically in order to save energy.

eShift (optional)

eShift is the integration of automatic gear shifting systems into the eBike system. The eShift components are electrically connected to the drive unit by the manufacturer. The operation of automatic gear shifting systems is described in the operating instructions of the on-board computer.

Setting the Assistance Level

With the on-board computer you can set how much the eBike drive assists you while pedaling. The assistance level can be changed at any time while the system is on, even while cycling.

Note: For individual versions, it is possible that the assistance level is preset and cannot be changed. It is also possible that fewer assistance levels are available for selection than listed here.

The following assistance levels (max.) are available:

- **“OFF”**: The motor assistance is switched off and the eBike can be moved by pedaling. The walk assistance cannot be activated in this assistance level.
- **“ECO”**: Effective assistance at maximum efficiency for maximum cruising range
- **“TOUR”**: Uniform assistance, for touring with long cruising range
- **“SPORT”**: Powerful assistance for sporty off-road riding, as well as for urban traffic
- **“TURBO”**: Maximum assistance, supporting the highest speed for sporty riding

The selected motor output appears on the display of the on-board computer. The maximum motor output depends on the selected assistance level.

Assistance Level	Assistance Factor* (Derailleur)
“ECO”	40 %
“TOUR”	100 %
“SPORT”	150 %
“TURBO”	250 %

* The motor output can vary for individual versions.

Once it is switched on, the eBike system is in the **“OFF”** mode.

Switching the Walk Assistance On/Off

The walk assistance can make it easier for you to push the eBike. The speed of this function depends on the selected gear and can reach a maximum of 3.7 mph. The lower the selected gear, the lower the speed of the walk assistance function (at full capacity).

- ▶ **Using the walk assistance function is only recommended when pushing the eBike.** There is risk of injury if the wheels of the eBike are not in contact with the ground while using the walk assistance.

To **activate** the walk assistance function, briefly press button **“WALK”** on your on-board computer. After activation, press button **“+”** within 3 s and keep it pressed. The eBike drive is switched on.

Note: The walk assistance cannot be activated in the **“OFF”** assistance level.

The walk assistance is **switched off** as soon as one of the following occurs:

- you release the button **“+”**,
- the wheels of the eBike are stopped (e.g. by actuating the brakes or impacting against an obstacle),
- the speed exceeds 3.7 mph.

Note: On some systems the walk assistance function can be started directly by pressing the **“WALK”** button.

Switching bike lights On/Off

On the version which has bike lights powered by the eBike system, the front and rear lights can be switched on and off at the same time via the on-board computer.

Maintenance/Cleaning

⚠ WARNING

- ▶ **Your Bosch Drive System components are maintenance-free.** Do not open any of the components. Service should only be carried out at an authorized Bosch eBike dealer. Failure to follow the above warning may result in death or serious injury. Refer to your bicycle manual or component manual for all non-Bosch Drive System components.
- ▶ **Always remove the battery pack before performing any bicycle inspection, maintenance or repair.** Failure to remove the battery pack before performing bicycle inspection, maintenance or repair can lead to serious injury.
- ▶ **If you suspect that something is loose, do not ride your bike.** See your Bosch eBike dealer; only a qualified service provider should perform work on your Bosch Drive System. All nuts, bolts, screws require the correct tightening force. Too little force and the fastener may not hold securely. Too much force and the fastener can stretch, deform or break, or the threads can be stripped. Either way, incorrect tightening force can result in component failure, which can cause you to lose control and fall.
- ▶ **If replacing your battery, only buy a genuine Bosch battery pack from an approved source. See your Bosch eBike dealer for original Bosch parts.**
- ▶ **Always switch the battery pack off when inserting or removing it from the holder.** Never attempt to insert or remove the battery pack while riding the bike.
- ▶ **Do not charge or use your eBike in any area with a potentially explosive atmosphere, such as at a fueling area, or in areas where the air contains chemicals or particles (such as grain, dust, or metal powders).** Obey all signs and follow all instructions.
- ▶ **Do not submerge your eBike components in water, or wash using a pressurized hose.** Your Bosch drive unit is designed to be water tight in regards to rain water and non-pressurized hose washing.
- ▶ **Note down the manufacturer and the number of the key.** In case the keys are lost, please contact an authorized Bosch eBike dealer. Please provide the name of the manufacturer and the number of the key.
- ▶ **Do not paint any components of the Bosch Drive System as this may cause premature failure of the components.**

Careful Handling of the eBike

Please observe the operating and storage temperatures for the eBike components. Protect the drive unit, on-board computer and battery pack against extreme temperatures (e.g., from intense sunlight without adequate ventilation). The components (especially the battery pack) can become damaged because of extreme temperatures.

It is recommended to have your eBike system checked by an expert at least once a year (including mechanical parts and to update the system software).

Please contact an authorized bicycle dealer for service or repairs to the eBike.

After Sale Service and Customer Assistance

In case of questions concerning the eBike system and its components, please contact an authorized Bosch eBike dealer.

Contact data for authorized Bosch eBike dealers can be found at www.bosch-ebike.com

When the battery pack is no longer operative, please contact an authorized Bosch eBike dealer.

Cleaning

- ▶ **Do not submerge your eBike components in water, or wash using a pressurized hose.** Your Bosch drive unit is designed to be water tight in regards to rain water and non-pressurized hose washing.

Keep all components of your eBike clean, especially the battery pack contacts and the corresponding holder contacts.

All components including the drive unit may not be immersed in water or cleaned with a high-pressure cleaner. Keep all components of your eBike clean, especially the battery pack contacts and the corresponding holder contacts. Clean them carefully with a soft, damp cloth (using only mild soap and water).

Table des matières

Introduction	2
Avertissements généraux	2
Utilisation de votre notice d'utilisation	2
Utilisation de votre unité d'entraînement	3
Avertissements de sécurité	3
Description et performances du produit	4
Montage	4
Mise en marche	5
Entretien/nettoyage	7

Introduction

Merci d'avoir acheté un vélo équipé du système d'entraînement Bosch !

L'équipe eBike Systems de Bosch apprécie de vous compter parmi ses clients et vous souhaite de nombreuses années d'utilisation de votre vélo en toute sécurité et pour votre entière satisfaction.

Avertissements généraux



Lisez tous les avertissements de sécurité et toutes les instructions. Le fait de ne pas respecter les avertissements et les instructions peut entraîner des blessures graves ou mortelles.

Conservez tous les avertissements et toutes les instructions pour pouvoir s'y reporter ultérieurement.

Le terme « accu » utilisé dans cette notice d'utilisation se réfère aussi bien aux accus standards (accus avec fixation sur le cadre du vélo) qu'aux accus du porte-bagages (accus avec fixation dans le porte-bagages).

À propos des avertissements

Ce manuel contient de nombreuses mises en garde (« **DANGER** », « **AVERTISSEMENT** » et « **ATTENTION** ») portant sur les conséquences liées au non-respect des instructions relatives à l'utilisation, au montage, à l'entretien, au stockage, à l'inspection et à la mise au rebut d'un eBike équipé Bosch de manière sécurisée.

L'association du symbole d'alerte de sécurité au mot « **DANGER** » indique une situation dangereuse qui, à défaut d'être évitée, **entraînera** des blessures graves ou mortelles.

L'association du symbole d'alerte de sécurité au mot « **AVERTISSEMENT** » indique une situation dangereuse qui, à défaut d'être évitée, **peut entraîner** des blessures graves ou mortelles.

L'association du symbole d'alerte de sécurité au mot « **ATTENTION** » indique une situation dangereuse qui, à défaut d'être évitée, peut entraîner des blessures légères ou modérées.

AVERTISSEMENT

- **Cette notice contient d'importantes informations sur la sécurité, les performances et l'entretien.** Veuillez la lire avant d'utiliser votre vélo pour la première fois, et la conserver pour référence ultérieure. Vous pouvez également retrouver cette notice en ligne à l'adresse www.bosch-ebike.com.

- **Cette notice est destinée à être lue conjointement avec le manuel utilisateur séparé fourni avec votre vélo.** Assurez-vous de lire tous les documents fournis y compris les étiquettes apposées sur le produit avant la première utilisation.
- **Lisez TOUS les manuels et TOUTES les notices jointes avant d'utiliser votre vélo pour la première fois.** Votre système d'entraînement Bosch est livré avec d'autres manuels et documents fournis par le fabricant du vélo et des autres éléments. Ne pas lire ou ne pas comprendre les informations de sécurité peut entraîner des blessures graves ou mortelles.
- **Assumez la responsabilité de votre propre SÉCURITÉ.** En cas de question ou d'incompréhension, contactez votre revendeur ou le fabricant du vélo ou de l'élément.
- **Certains accessoires de l'eBike peuvent présenter un risque d'étouffement pour les petits enfants.** Conservez ces accessoires hors de portée des enfants.

ATTENTION

- **Le système d'entraînement Bosch alourdit votre vélo. Vous n'avez peut-être pas l'habitude de le soulever.** Évitez de vous blesser en utilisant des techniques de levage appropriées.

Utilisation de votre notice d'utilisation

Graphiques

Le vélo illustré dans cette notice peut être légèrement différent de votre vélo, mais il est suffisamment similaire pour vous permettre de comprendre nos instructions.

Les côtés DROIT et GAUCHE sont déterminés en se plaçant en situation, dans le sens de la marche du vélo. Lorsqu'une ligne en pointillé (-----) apparaît, l'élément auquel il est fait référence n'est pas visible.

Utilisation de votre unité d'entraînement

Avertissements de sécurité



Lisez et comprenez tous les avertissements et toutes les instructions. Le fait de ne pas respecter les avertissements ci-dessous peut entraîner des blessures graves ou mortelles.

Conservez tous les avertissements et toutes les instructions pour pouvoir s'y reporter ultérieurement.

Le terme « accu » utilisé dans cette notice d'utilisation se réfère aussi bien aux accus standards (accus avec fixation sur le cadre du vélo) qu'aux accus du porte-bagages (accus avec fixation dans le porte-bagages).

- ▶ **N'ouvrez pas vous-même l'unité d'entraînement. Les réparations de l'unité d'entraînement doivent être confiées à un revendeur qualifié utilisant uniquement des pièces de rechange d'origine.** Cela permet de préserver le bon fonctionnement de l'unité d'entraînement. Une ouverture non autorisée de l'unité d'entraînement annule la garantie.
- ▶ **Tous les éléments montés sur l'unité d'entraînement et tous les autres éléments de l'entraînement du vélo électrique (par ex. plateau, fixation du plateau, pédales) ne doivent être remplacés que par des éléments d'un type similaire ou spécialement autorisés par le fabricant de vélo pour votre vélo électrique.** Ceci permet de protéger l'unité d'entraînement d'une surcharge et de dommages.
- ▶ **Retirez l'accu de l'eBike avant de commencer à travailler (par ex. inspection, réparation, montage, entretien, travaux au niveau de la chaîne, etc.) sur l'eBike, de le transporter en voiture ou en avion ou de le ranger.** Une activation involontaire du système eBike risque de provoquer des blessures.
- ▶ **Le système eBike peut s'allumer lorsque vous reculez votre eBike.**
- ▶ **La fonction d'assistance de poussée ne doit être utilisée que quand vous poussez le vélo électrique.** Les roues du vélo électrique doivent être en contact avec le sol lorsque l'assistance de poussée est utilisée, sinon il y a danger de blessures.
- ▶ **Sur les vélos à fonction de rétropédalage, les pédales sont entraînées quand l'assistance à la poussée est active.** Prenez soin, quand l'assistance à la poussée est active, de garder une certaine distance entre vos pieds et les pédales. Il y a risque de blessure.
- ▶ **N'utilisez que les accus d'origine Bosch autorisés par le fabricant pour votre vélo électrique.** L'utilisation de tout autre accumulateur peut entraîner des blessures et des risques d'incendie. Bosch décline toute responsabilité et garantie dans le cas d'utilisation d'autres accus.
- ▶ **N'apportez aucune modification au système eBike de votre vélo électrique et ne montez aucun produit du commerce destiné à accroître les performances du système eBike.** Toute modification non autorisée du système peut entraîner des blessures graves ou mortelles.
- ▶ **Respectez toutes les réglementations locales, régionales et nationales spécifiques à l'autorisation et à l'utilisation de vélos électriques.**
- ▶ **Lisez et respectez les consignes de sécurité et les instructions de toutes les notices d'utilisation du système eBike, ainsi que la notice d'utilisation de votre eBike.**

Description et performances du produit **Montage**

Utilisation conforme

L'unité d'entraînement est uniquement destinée à assurer l'entraînement de votre eBike. Toute autre utilisation est interdite.

Caractéristiques techniques

Unité d'entraînement		Drive Unit
N° d'article		0 275 007 039
Puissance permanente nominale	W	250
Couple maxi. de l'entraînement	Nm	50
Tension nominale	V _~	36
Température de fonctionnement	°F	+23...+104
Température de stockage	°F	+14...+122
Type de protection		IP 54 (étanche à la poussière et aux projections d'eau)
Poids, env.	lb	8,8

Éclairage de vélo ¹⁾

Tension env. ²⁾³⁾	V _~	6/12
Puissance maximale		
– Feu avant	W	8,4/17,4
– Feu arrière	W	0,6/0,6

1) en fonction des prescriptions légales, pas possible dans toutes les versions nationales via l'accu du vélo électrique

2) La valeur de la tension est pré-réglée et ne peut être modifiée que chez un revendeur de vélos spécialisé.

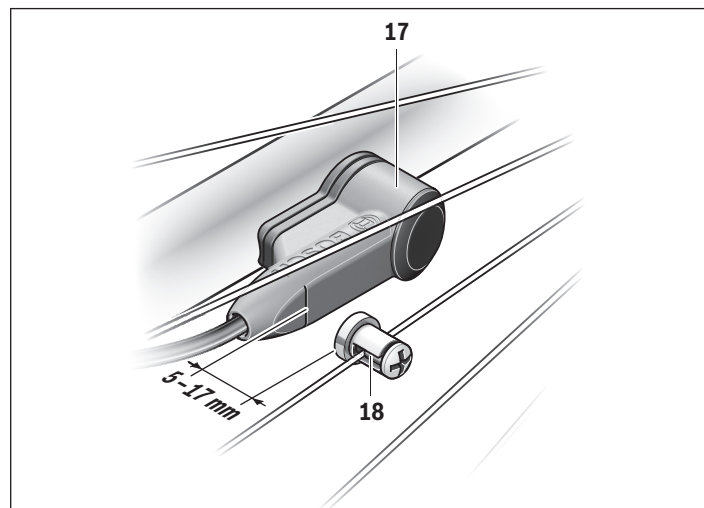
3) Lors du changement des ampoules, veillez à ce qu'elles soient compatibles avec le système eBike Bosch (demandez à votre revendeur) et à ce qu'elles correspondent à la tension indiquée. Ne remplacer des ampoules défectueuses que par des ampoules de même tension.

► **Les ampoules inappropriées risquent d'être détruites !**

Insertion et retrait de l'accu

Pour insérer l'accu dans l'eBike et pour le retirer, veuillez lire et respecter la notice d'utilisation de l'accu.

Contrôle du capteur de vitesse



17 Capteur de vitesse

18 Aimant de rayon du capteur de vitesse

Le capteur de vitesse **17** et l'aimant de rayon **18** doivent être montés de sorte à ce que l'aimant du rayon dépasse le capteur de vitesse à une distance de 5 mm min. et de 17 mm max. lorsque la roue tourne.

Note : Si la distance entre le capteur de vitesse **17** et l'aimant de rayon **18** est trop petite ou trop grande, ou si le capteur de vitesse **17** n'est pas correctement connecté, l'affichage du compteur de vitesse peut être défaillant et le système d'entraînement de l'eBike fonctionne alors en mode d'urgence.

Desserrer dans ce cas la vis de l'aimant **18** et fixez le au rayon de façon à ce qu'il passe à la bonne distance du repère du capteur de vitesse. S'il n'apparaît alors toujours aucune vitesse au niveau de l'affichage du compteur de vitesse, veuillez contacter un revendeur de vélos autorisé.

Mise en marche

Mise en service

Conditions préalables

Le système eBike ne peut être activé que si les conditions suivantes sont réunies :

- L'accu utilisé est suffisamment chargé (voir la notice d'utilisation de l'accu).
- L'ordinateur de bord est correctement inséré dans le support (reportez-vous à la notice d'utilisation de l'ordinateur de bord).
- Le capteur de vitesse est correctement branché (voir « Contrôle du capteur de vitesse », page Français – 4).

Mise marche/Arrêt du système eBike

Pour mettre le système eBike **en marche**, vous avez les possibilités suivantes :

- Si l'ordinateur de bord est déjà allumé lors de l'insertion dans le support, le système eBike se met en marche automatiquement.
- Une fois l'ordinateur de bord et l'accu eBike insérés, appuyez brièvement une fois sur le bouton Marche/Arrêt de l'ordinateur de bord.
- Lorsque l'ordinateur de bord est monté, appuyez sur la touche Marche/Arrêt de l'accu.

Après la mise en marche, le système eBike est en mode « **OFF** ». Sélectionnez le niveau d'assistance souhaité, puis roulez.

Le système d'entraînement est activé dès que vous appuyez sur les pédales. Le degré d'assistance est déterminé par les paramètres de configuration de l'ordinateur de bord.

Dès que vous arrêtez de pédaler ou dès que vous avez atteint une vitesse de 20 mph, l'unité d'entraînement du vélo électrique désactive l'assistance. L'assistance moteur est automatiquement activée à nouveau dès que vous pédalez et que la vitesse est inférieure à 20 mph.

Pour **arrêter** le système eBike, vous avez les possibilités suivantes :

- Appuyez sur le bouton Marche/Arrêt de l'ordinateur de bord.
- Arrêtez l'accu eBike au niveau de son bouton Marche/Arrêt (voir la notice d'utilisation de l'accu).
- Retirez l'ordinateur de bord du support.

Après 10 min d'immobilité du vélo électrique **sans** actionnement d'aucune touche de l'ordinateur de bord, le système eBike s'éteint automatiquement pour économiser l'énergie.

eShift (option)

eShift indique la présence d'un système de passage de vitesses automatique dans le système eBike. Les composants eShift sont reliés électriquement à l'unité d'entraînement par le fabricant. L'utilisation des systèmes de passage de vitesses automatiques est décrite dans la notice d'utilisation de l'ordinateur de bord.

Réglage du niveau d'assistance

Vous pouvez configurer sur l'ordinateur de bord le niveau d'assistance du système d'entraînement de l'eBike lorsque vous pédalez. Le niveau d'assistance peut être modifié à tout moment, y compris au cours de la conduite.

Note : Dans certaines versions, il est possible que le niveau d'assistance soit pré-réglé et ne puisse pas être modifié. Il est également possible que moins de niveaux d'assistance soient disponibles qu'indiqués ici.

Les niveaux d'assistance suivants sont disponibles :

- « **OFF** » : l'assistance électrique est désactivée, l'eBike peut être utilisé comme un vélo normal sans assistance. Dans ce niveau d'assistance, l'assistance à la poussée n'est pas activable.
- « **ECO** » : assistance effective avec efficacité maximale, pour portée maximale
- « **TOUR** » : assistance régulière, pour des tours de grande portée
- « **SPORT** » : assistance puissante, pour parcours sportifs sur des chemins montagneux ainsi que pour la circulation urbaine
- « **TURBO** » : assistance maximale jusqu'à des fréquences de pédalage élevées, pour parcours sportifs

La puissance du moteur sélectionnée apparaît sur l'écran de l'ordinateur de bord. La puissance maximale du moteur dépend du niveau d'assistance sélectionné.

Niveau d'assistance	Facteur d'assistance* (dérailleur)
« ECO »	40 %
« TOUR »	100 %
« SPORT »	150 %
« TURBO »	250 %

* La puissance du moteur peut différer pour certaines versions.

Après la mise en marche, le système eBike est en mode « **OFF** ».

Allumer/éteindre l'assistance de poussée

L'assistance de poussée peut vous aider à pousser le vélo électrique. La vitesse possible avec cette fonction dépend de la vitesse passée et peut atteindre 3,7 mph au maximum. Plus vous passez une vitesse basse, moins élevée sera la vitesse de cette fonction d'assistance de poussée (à pleine puissance).

- **La fonction d'assistance de poussée ne doit être utilisée que quand vous poussez le vélo électrique.** Les roues du vélo électrique doivent être en contact avec le sol lorsque l'assistance de poussée est utilisée, sinon il y a danger de blessures.

Pour **activer** l'assistance de poussée, appuyez brièvement sur la touche « **WALK** » de votre ordinateur de bord. Après l'activation, appuyez dans les 3 secondes qui suivent sur la touche « **+** » et maintenez-la enfoncée. L'entraînement du vélo électrique est activé.

Note : Dans le niveau d'assistance « **OFF** », l'assistance à la poussée n'est pas activable.

L'assistance de poussée **se désactive** dès que l'une des situations suivantes se produit :

- Vous relâchez la touche « **+** »,
- les roues du vélo électrique se bloquent (par ex. lors d'un freinage ou d'un choc contre un obstacle),
- la vitesse devient supérieure à 3,7 mph.

Note : Sur certains systèmes, l'assistance de poussée peut être directement activée en appuyant sur la touche « **WALK** ».

Allumer/éteindre l'éclairage du vélo

Sur les modèles où l'éclairage est alimenté par le système eBike, les phares avant et arrière peuvent être allumés et éteints simultanément via l'ordinateur de bord.

Entretien/nettoyage

⚠ AVERTISSEMENT

- ▶ **Les éléments de votre système d'entraînement Bosch ne nécessitent aucun entretien.** N'ouvrez aucun élément. L'entretien doit uniquement être effectué par un revendeur eBike Bosch autorisé. Le fait de ne pas respecter l'avertissement ci-dessus peut entraîner des blessures graves ou mortelles. Reportez-vous au manuel de votre vélo ou au manuel de l'élément pour tous les éléments ne faisant pas partie du système d'entraînement Bosch.
- ▶ **Retirez toujours l'accu avant d'inspecter un vélo, de procéder à son entretien ou à sa réparation.** Le fait de ne pas retirer l'accu avant d'inspecter un vélo, de procéder à son entretien ou à sa réparation peut entraîner des blessures graves.
- ▶ **Si vous suspectez une défaillance, n'utilisez pas votre vélo.** Consultez votre revendeur eBike Bosch, seul un revendeur qualifié doit intervenir sur votre système d'entraînement Bosch. Tous les écrous, les boulons et les vis requièrent une force de serrage correcte. Une force de serrage trop faible ne permet pas la fixation sécurisée des composants. Une force de serrage excessive risque au contraire de briser les filets, et d'étendre, de déformer ou de casser les éléments de fixation. D'une manière ou d'une autre, une force de serrage incorrecte peut entraîner une défaillance de l'élément, ce qui peut vous faire perdre le contrôle de votre vélo et vous faire tomber.
- ▶ **Si vous remplacez votre batterie, achetez uniquement un accu Bosch d'origine auprès d'une source fiable et approuvée. Contactez votre revendeur eBike Bosch pour les pièces Bosch d'origine.**
- ▶ **Arrêtez toujours l'accu lorsque vous le montez ou le retirez de son support.** Ne tentez jamais de monter ni de retirer l'accu lorsque vous roulez à vélo.
- ▶ **Ne rechargez pas et n'utilisez pas votre eBike dans une zone présentant une atmosphère potentiellement explosive, par exemple dans une station-service ou dans des zones dans lesquelles l'air contient des produits chimiques ou des particules (telles que des grains, de la poussière ou des poudres métalliques).** Respectez tous les panneaux et toutes les instructions.
- ▶ **Ne plongez pas vos composants eBike dans l'eau et ne les lavez pas avec un pulvérisateur haute pression.** Votre unité d'entraînement Bosch est conçue pour être étanche à l'eau de pluie ou à un tuyau d'arrosage sans pression.

- ▶ **Notez le nom du fabricant et le numéro de la clé.** Si vous perdez les clés, contactez un revendeur eBike Bosch autorisé. Veuillez fournir le nom du fabricant et le numéro de la clé.
- ▶ **Ne peignez aucun élément du système d'entraînement Bosch car cela peut entraîner une défaillance prématurée de l'élément.**

Maniement soigneux du vélo électrique

Respectez les températures de fonctionnement et de stockage des composants de l'eBike. Protégez l'unité d'entraînement, l'ordinateur de bord et l'accu des températures extrêmes (par exemple d'une exposition intense aux rayons du soleil sans ventilation simultanée). Les composants (notamment l'accu) peuvent être endommagés par une exposition à des températures extrêmes.

Faites contrôler votre système eBike au moins une fois par an sur le plan technique (partie mécanique, actualité du logiciel système, etc.).

Pour le Service Après-Vente ou des réparations sur votre vélo électrique, adressez-vous à un vélociste autorisé.

Service Après-Vente et Assistance Clients

Pour toutes les questions concernant le système eBike et ses éléments, adressez-vous à un vélociste autorisé.

Vous trouverez les données de contact de vélocistes autorisés sur le site internet **www.bosch-ebike.com**

Si l'accu ne peut plus fonctionner, veuillez vous adresser à un vélociste autorisé.

Nettoyage

- ▶ **Ne plongez pas vos composants eBike dans l'eau et ne les lavez pas avec un pulvérisateur haute pression.** Votre unité d'entraînement Bosch est conçue pour être étanche à l'eau de pluie ou à un tuyau d'arrosage sans pression.

Maintenez tous les éléments de votre vélo électrique propres, surtout les contacts de l'accu et les supports de fixation.

Ne plongez pas dans l'eau les éléments, y compris l'unité de l'entraînement et ne les nettoyez pas à l'aide d'un nettoyeur haute pression. Maintenez tous les éléments de votre vélo électrique propres, surtout les contacts de l'accu et les supports de fixation. Nettoyez-les soigneusement à l'aide d'un chiffon doux et humide (en utilisant uniquement du savon doux et de l'eau).

Índice

Introducción	2
Advertencias generales	2
Utilización de su Manual de usuario	2
Uso del motor de Bosch	3
Instrucciones de seguridad	3
Descripción y prestaciones del producto	4
Montaje	4
Operación	5
Mantenimiento/limpieza	7

Introducción

¡Gracias por adquirir una bicicleta equipada con el sistema de accionamiento de Bosch!

El equipo eBike Systems de Bosch le aprecia como cliente y le desea muchos años de satisfacción y seguridad con el uso de su bicicleta.

Advertencias generales



Lea íntegramente todas las indicaciones de seguridad e instrucciones. No seguir las advertencias e instrucciones siguientes puede provocar la muerte o lesiones graves.

Guarde todas las indicaciones de seguridad e instrucciones para posibles consultas futuras.

El término “acumulador” empleado en estas instrucciones de uso se refiere indistintamente tanto a los acumuladores estándar (acumuladores de fijación al cuadro de la bicicleta) como a los acumuladores para portaequipajes (acumuladores de fijación al portaequipajes).

Acerca de las advertencias

Este manual contiene muchos avisos de “**PELIGRO**”, “**ADVERTENCIA**” y “**ATENCIÓN**” relativos a las consecuencias de no utilizar, montar, mantener, almacenar, revisar y desecharse de manera segura una eBike equipada de Bosch.

La combinación del símbolo de advertencia de seguridad y la palabra “**PELIGRO**” indica una situación peligrosa que, de no evitarse, **causará** la muerte o lesiones graves.

La combinación del símbolo de advertencia de seguridad y la palabra “**ADVERTENCIA**” indica una situación peligrosa que, de no evitarse, **podría causar** la muerte o lesiones graves.

La combinación del símbolo de advertencia de seguridad y la palabra “**ATENCIÓN**” indica una situación peligrosa que, de no evitarse, podría causar lesiones leves o moderadas.

⚠ ADVERTENCIA

- ▶ **Este manual contiene información importante de seguridad, rendimiento y mantenimiento.** Léalo antes de usar su nueva bicicleta y guárdelo a modo de referencia. Puede encontrar el manual también en línea en www.bosch-ebike.com.
- ▶ **Este manual está previsto para su lectura junto con el manual de usuario aparte que venía con su bicicleta.** Antes de usar la bici por primera vez, asegúrese de leer toda la documentación facilitada, incluidas las etiquetas que lleva el producto.

- ▶ **Lea TODOS los manuales incluidos antes de montar en la bicicleta por primera vez.** Su sistema de accionamiento de Bosch incluye manuales y documentación adicionales proporcionados por el fabricante de la bicicleta y de otros componentes. No leer o desconocer la información de seguridad puede provocar la muerte o lesiones graves.
- ▶ **Por su propia SEGURIDAD, sea responsable.** Si tiene dudas o no entiende algo, consúltelo con su distribuidor o con el fabricante de la bicicleta o del componente.
- ▶ **Algunos accesorios de la eBike pueden suponer un peligro de atragantamiento para los niños pequeños.** Mantenga esos accesorios alejados de los niños.

⚠ ATENCIÓN

- ▶ **El sistema de accionamiento de Bosch incrementa el peso de su bicicleta, que puede que no esté acostumbrado a levantar.** Evite las lesiones; utilice técnicas de elevación adecuadas.

Utilización de su Manual de usuario

Gráficos

La bicicleta que se muestra en este manual puede diferir ligeramente de la suya; no obstante, las similitudes son suficientes para ayudarle a entender nuestras instrucciones.

Los lados DERECHO e IZQUIERDO se indican mirando en el sentido que la bicicleta tendrá al circular hacia delante. Si ve una línea discontinua (-----), el elemento al que se refiere está oculto a la vista.

Uso del motor de Bosch

Instrucciones de seguridad



Lea y conozca todas las indicaciones de seguridad y las instrucciones. No seguir las advertencias siguientes puede provocar la muerte o lesiones graves.

Guarde todas las indicaciones de seguridad e instrucciones para posibles consultas futuras.

El término “acumulador” empleado en estas instrucciones de uso se refiere indistintamente tanto a los acumuladores estándar (acumuladores de fijación al cuadro de la bicicleta) como a los acumuladores para portaequipajes (acumuladores de fijación al portaequipajes).

- ▶ **No abra el motor por su cuenta. El motor solo debe ser reparado por personal técnico cualificado y solo deben utilizarse piezas de repuesto originales.** De esta manera queda garantizada la preservación de la seguridad del motor. La apertura del motor sin autorización comporta la anulación del derecho de garantía.
- ▶ **Todos los componentes montados en la unidad motriz, así como todos los demás componentes del accionamiento de la eBike (p. ej., el plato, portaplatos, pedales) solamente deberán sustituirse por componentes de iguales dimensiones o por componentes especialmente homologados por el fabricante de su eBike.** Con ello se evita una sobrecarga o deterioro de la unidad motriz.
- ▶ **Extraiga la batería de la eBike antes de empezar cualquier trabajo en ella (p. ej., inspección, reparación, montaje, mantenimiento, trabajos en la cadena, etc.), de transportarlo en coche o en un avión o de almacenarlo.** Existe peligro de lesiones si se activa el sistema eBike de manera involuntaria.
- ▶ **Al empujar la eBike hacia atrás es posible que se conecte el sistema automáticamente.**
- ▶ **La función de ayuda para empuje deberá usarse exclusivamente al empujar la eBike.** Puede llegar a lesionarse si las ruedas de la eBike no están tocando el firme en el momento de utilizar la ayuda para empuje.
- ▶ **Si está conectada la función de asistencia para empujar caminando, cuando monte en la bicicleta, haga girar los pedales con la función de contrapedal.** Si está conectada la función de asistencia para empujar caminando, procure que haya una distancia suficiente entre sus piernas y los pedales giratorios. Existe riesgo de lesiones.
- ▶ **Únicamente utilice acumuladores originales Bosch homologados por el fabricante de su eBike.** El uso de otro tipo de acumuladores puede acarrear lesiones e incluso un incendio. Si se aplican acumuladores de otro tipo Bosch declina cualquier responsabilidad y el derecho a garantía.
- ▶ **No realice ningún tipo de modificación en su sistema eBike ni instale otros productos destinados a aumentar la potencia de su sistema eBike.** La modificación no autorizada del sistema puede causar la muerte o lesiones graves.
- ▶ **Tenga en cuenta todas las normativas locales, regionales y nacionales en cuanto al permiso de circulación y uso de la eBike.**
- ▶ **Lea y siga todas las indicaciones de seguridad e instrucciones de todos los manuales de uso del sistema eBike, así como las instrucciones de uso de su eBike.**

Descripción y prestaciones del producto

Utilización reglamentaria

El motor está concebido únicamente para impulsar la eBike y no debe emplearse para otros propósitos.

Datos técnicos

Unidad motriz		Drive Unit
Nº de artículo		0 275 007 039
Potencia nominal continua	W	250
Par de giro máx. del accionamiento	Nm	50
Tensión nominal	V _{nom}	36
Temperatura de operación	°F	+23... +104
Temperatura de almacenamiento	°F	+14... +122
Grado de protección		IP 54 (protección contra polvo y salpicaduras de agua)
Peso, aprox.	lb	8,8

Iluminación de la bicicleta ¹⁾

Tensión aprox. ²⁾³⁾	V _{nom}	6/12
Máxima potencia		
– Luz delantera	W	8,4/17,4
– Luz de atrás	W	0,6/0,6

1) dependiente de la regulación legal, por lo que la alimentación a través del acumulador de la eBike no está disponible en la ejecución para ciertos países

2) El valor de tensión está preajustado y solo puede cambiarse en un establecimiento especializado en bicicletas.

3) Al cambiar las luces, asegúrese de que las lámparas sean compatibles con el sistema eBike de Bosch (pregunte en su establecimiento especializado) y la tensión especificada coincida. Las lámparas solo pueden cambiarse por otras de la misma tensión.

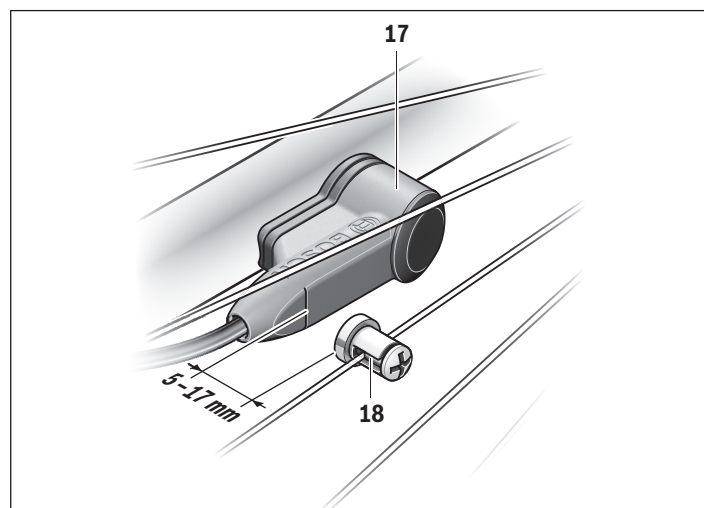
► **Cualquier otra lámpara podría quedar inutilizada.**

Montaje

Colocar y retirar la batería

Para colocar y retirar la batería de la eBike, lea y observe las instrucciones de uso de la batería.

Comprobación del captador de velocidad



17 Captador de velocidad

18 Imán de fijación a los radios para el captador de velocidad

El captador de velocidad **17** y el imán de fijación a los radios **18** deberán montarse de forma que éste se encuentre a una distancia entre 5 mm y máximo 17 mm al quedar encarado con el captador de velocidad.

Observación: Si la distancia entre el sensor de velocidad **17** y el imán de fijación a los radios **18** es demasiado pequeña o demasiado grande, o si el sensor de velocidad **17** no está conectado correctamente, fallará la indicación del tacómetro y el accionamiento de la eBike funcionará con el programa de emergencia.

En este caso, desenrosque el tornillo del imán de fijación a los radios **18** y fíjelo al radio de forma que pase por la marca del sensor de velocidad a la distancia correcta. Si aun así sigue sin aparecer la velocidad en el indicador del tacómetro, diríjase a un distribuidor de bicicletas autorizado.

Operación

Puesta en marcha

Requisitos

El sistema eBike solo puede activarse cuando se cumplen las siguientes condiciones:

- Se ha colocado una batería con suficiente carga (véanse las instrucciones de uso de la batería).
- El ordenador de a bordo está colocado correctamente en el soporte (véanse las instrucciones de uso del ordenador de a bordo).
- El sensor de velocidad está conectado correctamente (véase “Comprobación del captador de velocidad”, página Español – 4).

Conexión y desconexión del sistema de la eBike

El sistema de la eBike se puede **conectar** de las siguientes formas:

- Si el ordenador de a bordo ya está conectado al colocarlo en el soporte, el sistema eBike se enciende automáticamente.
- Cuando estén colocados el ordenador de a bordo y la batería de la eBike, pulse una vez brevemente la tecla de encendido/apagado del ordenador de a bordo.
- Con el ordenador de a bordo colocado, pulse la tecla de conexión/desconexión de la batería.

Tras el encendido, el sistema eBike se encuentra en modo **“OFF”**. Seleccione el nivel de asistencia deseado y empiece a pedalear.

El accionamiento se activa al pisar los pedales. El grado de asistencia se rige en función de los ajustes del ordenador de a bordo.

Durante el funcionamiento normal de la eBike, la asistencia del accionamiento de la misma se desactiva en el momento en que usted deje de pedalear o cuando alcance una velocidad de 20 mph. La asistencia del motor vuelve a reactivarse automáticamente al volver a pedalear, siempre que la velocidad sea inferior a 20 mph.

El sistema de la eBike se puede **desconectar** de las siguientes formas:

- Pulse la tecla de encendido/apagado del ordenador de a bordo.
- Desconecte la batería de la eBike mediante su tecla de encendido/apagado (véanse las instrucciones de uso de la batería).
- Retire el ordenador de a bordo del soporte.

Si transcurren unos 10 min sin mover la eBike y sin pulsar ninguna tecla en el ordenador de a bordo, el sistema de la eBike se desconecta de forma automática para ahorrar energía.

eShift (opcional)

eShift es la integración de los sistemas de conexión/desconexión automática en el sistema de la eBike. Los componentes eShift están conectados eléctricamente de fábrica con el motor. El manejo de los sistemas automáticos de cambio se describe en las instrucciones de uso del ordenador de a bordo.

Ajuste del modo de asistencia

En el ordenador de a bordo puede ajustar el nivel de asistencia del motor de la eBike al pedalear. Este nivel de asistencia se puede modificar en cualquier momento, también durante la marcha.

Observación: En ciertas ejecuciones puede que venga preajustado fijo el modo de asistencia y no sea posible modificarlo. También es posible que no exista una diversidad de modos de asistencia tan amplia como la aquí indicada.

A lo sumo están disponibles los siguientes modos de asistencia:

- **“OFF”**: la asistencia del motor está desconectada, la eBike puede utilizarse pedaleando como en cualquier bicicleta normal. En este nivel de asistencia no puede activarse la función de asistencia para empujar caminando.
- **“ECO”**: eficaz asistencia de gran rendimiento para una autonomía máxima
- **“TOUR”**: asistencia uniforme para recorridos de gran alcance
- **“SPORT”**: enérgica asistencia para una conducción deportiva en trayectos montañosos o para circular en ciudad
- **“TURBO”**: Asistencia máxima, incluso al pedalear velozmente, para una conducción deportiva

La potencia consumida del motor se indica en la pantalla del ordenador de a bordo. La potencia máxima del motor depende del nivel de asistencia seleccionado.

Modo de asistencia	Factor de asistencia* (Cambio externo)
“ECO”	40 %
“TOUR”	100 %
“SPORT”	150 %
“TURBO”	250 %

* La potencia del motor puede variar según la ejecución.

Tras el encendido, el sistema eBike se encuentra en modo **“OFF”**.

Conexión/desconexión de la Ayuda para empuje

La Ayuda para empuje le asistirá al empujar la eBike. La velocidad alcanzada en esta función (máximo 3,7 mph) depende de la marcha que tenga puesta. Cuanto más pequeña sea la marcha elegida, tanto menor es la velocidad lograda en la función de ayuda para empuje (a plena potencia).

- ▶ **La función de ayuda para empuje deberá usarse exclusivamente al empujar la eBike.** Puede llegar a lesionarse si las ruedas de la eBike no están tocando el firme en el momento de utilizar la ayuda para empuje.

Para **activar** la asistencia para empujar caminando, pulse brevemente la tecla **“WALK”** de su ordenador de a bordo. Tras la activación, pulse la tecla **“+”** antes de que pasen 3 s y manténgala pulsada. Se conecta el accionamiento de la eBike.

Observación: Con el nivel de asistencia **“OFF”** no puede activarse la función de asistencia para empujar caminando.

La asistencia para empujar caminando se **desconecta** en cualquiera de los siguientes casos:

- al dejar de mantener pulsada la tecla **“+”**;
- al bloquearse las ruedas de la eBike (p. ej., debido a una frenada o un choque con un obstáculo);
- al superar la velocidad los 3,7 mph.

Observación: En algunos sistemas, la asistencia para empujar caminando se puede iniciar pulsando directamente la tecla **“WALK”**.

Conectar/desconectar la iluminación de la bicicleta

En el modelo en el que la luz de marcha se alimenta mediante el sistema eBike, las luces delantera y trasera se pueden conectar y desconectar simultáneamente mediante el ordenador de a bordo.

Mantenimiento/limpieza

⚠ ADVERTENCIA

- ▶ **Los componentes del sistema de accionamiento de Bosch no necesitan mantenimiento.** No abra ninguno de los componentes. El mantenimiento debe llevarse a cabo exclusivamente por parte de un distribuidor de eBike de Bosch autorizado. El incumplimiento de la advertencia anterior puede causar la muerte o lesiones graves. Consulte su manual de la bicicleta o de aquellos componentes del sistema de accionamiento que no sean de Bosch.
- ▶ **Retire siempre la batería antes de realizar cualquier inspección, reparación o trabajo de mantenimiento en la bicicleta.** No retirar la batería antes de realizar cualquier inspección, reparación o trabajo de mantenimiento en la bicicleta puede causar la muerte o lesiones graves.
- ▶ **Si cree que hay algo suelto, no utilice la bicicleta.** Consulte a su distribuidor de eBike de Bosch; solo un proveedor de servicios cualificado puede efectuar trabajos en su sistema de accionamiento de Bosch. Las tuercas, los pernos y los tornillos necesitan la fuerza de apriete correcta. Con una fuerza menor de la necesaria, el cierre podría no estar bien sujeto. Con una fuerza excesiva, el cierre puede estropear las roscas, forzarse, deformarse o romperse. En todo caso, una fuerza de apriete incorrecta puede provocar un fallo en los componentes, lo que le puede hacer perder el control y caer.
- ▶ **Si cambia la batería, adquiera únicamente baterías originales de Bosch en un punto de venta autorizado. Diríjase a su distribuidor de eBike de Bosch para adquirir recambios originales.**
- ▶ **Desconecte siempre la batería cuando la introduzca o extraiga del soporte.** Nunca intente introducir ni extraer la batería con la bicicleta en marcha.
- ▶ **No cargue ni utilice la eBike en lugares con una atmósfera potencialmente explosiva, como gasolineras, ni en zonas en las que el aire contenga productos químicos o partículas (como semillas, polvo o polvo de metales).** Obedezca todas las señales e instrucciones.
- ▶ **No sumerja los componentes eBike en el agua ni los limpie con una manguera a presión.** El accionamiento de Bosch está diseñado para ser impermeable al agua de lluvia o a una limpieza con manguera sin presión.

- ▶ **Apunte el fabricante y el número de la llave.** Si pierde las llaves, diríjase a un distribuidor de eBike de Bosch autorizado. Facilite el nombre del fabricante y el número de la llave.
- ▶ **No pinte los componentes del sistema de accionamiento de Bosch, ya que eso podría causar un fallo temprano de los mismos.**

Trato cuidadoso de la eBike

Cumpla la temperatura de funcionamiento y almacenamiento de los componentes de la eBike. Proteja la unidad de accionamiento, el ordenador de a bordo y la batería de temperaturas extremas (p. ej. debido a una irradiación solar intensa sin ventilación simultánea). Las temperaturas extremas pueden dañar los componentes (especialmente las baterías).

Solicite por lo menos una vez al año una revisión técnica de su sistema eBike, para comprobar, entre otras cosas, que la mecánica se encuentre en buen estado y la versión del software esté actualizada.

Para el servicio técnico o la reparación de la eBike diríjase a una tienda de bicicletas autorizada.

Servicio técnico y atención al cliente

En todas las consultas sobre el sistema de la eBike y sus componentes diríjase a una tienda de bicicletas autorizada. Las direcciones de tiendas de bicicletas autorizadas las encuentra en la página de internet www.bosch-ebike.com. Si su acumulador ya no funciona acuda por favor a una tienda de bicicletas autorizada.

Limpieza

- ▶ **No sumerja los componentes eBike en el agua ni los limpie con una manguera a presión.** El accionamiento de Bosch está diseñado para ser impermeable al agua de lluvia o a una limpieza con manguera sin presión.

Mantenga limpios los componentes de su eBike, especialmente los contactos del acumulador y del respectivo soporte. Todos los componentes inclusive la unidad motriz no deberán sumergirse en agua ni tratarse con una limpiadora de alta presión. Mantenga limpios todos los componentes de su eBike, especialmente los contactos de la batería y del soporte correspondiente. Límpielos con un paño suave y húmedo (utilice únicamente jabón neutro y agua).